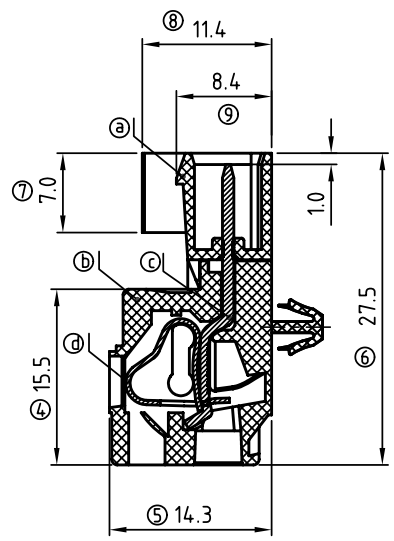
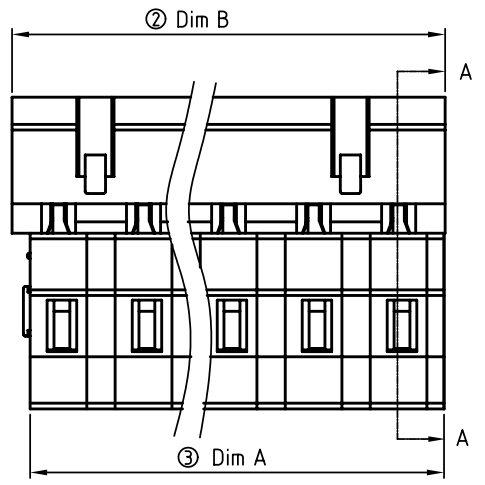
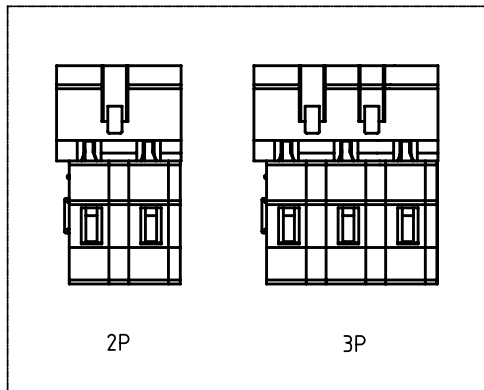
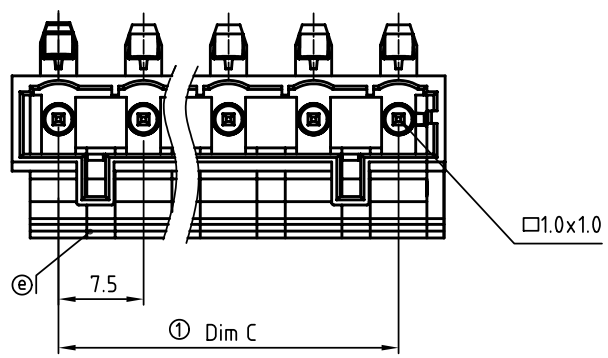


SIGN	DATE	DESCRIPTION	APPROVER
THIS IS CAD DRAWING, DO NOT REVISE MANUALLY!!!			



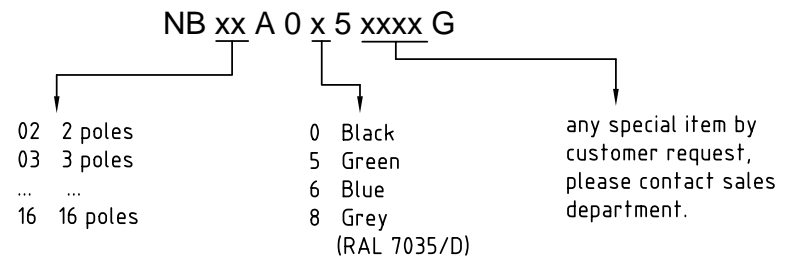
SECTION A-A

Material:

- Item a :Terminal body Thermoplastic (UL94 V-0)
- Item b :Terminal body Thermoplastic (UL94 V-0)
- Item c :Male contact pin: Brass Tin plated
- Item d :Spring clamp: Stainless steel
- Item e :Pad board: Thermoplastic (UL94V-0)

Electrical cULus

- Voltage rating: 300V
- Current rating: 8A
- Wire range:
- Solid wire(AWG): 12-28
- Stranded wire(AWG): 12-28
- Wire strip length: 8-9mm
- Withstanding Voltage: 1.6KV
- Operating temperature: -40°C to +115°C
- Safety Approval:



N = Number of poles
 Dim A=Nx7.5-1.0
 Dim B=Nx7.5+0.7
 Dim C=(N-1)x7.5

	Dim A	Dim B	Dim C
2-6p	±0.20	±0.20	±0.10
7-12p	±0.30	±0.30	±0.20
13-16p	±0.40	±0.40	±0.30

ANYTEK				CUSTOMER COPY			
ALL RIGHTS RESERVED. REPRODUCTION OR ISSUE TO THIRD PARTIES IN ANY FORM WHATSOEVER IS NOT PERMITTED WITHOUT WRITTEN AUTHORITY FROM THE PROPRIETOR. PROPERTY OF ANYTEK TECHNOLOGY CO., LTD							
TITLE		NB 7.5mm snap-in mounting feet 100% protected against mismatching					
PART NO.		NBxxA0x5xxxxG		DWG NO.		8NB0306	
APPROVED		CHECKED	DESIGNED	DRAWN	CUST NO.		Tolerance
			Runner	Runner			X. ±0.50
			2010.06.10	2010.06.10			X.X ±0.30
					SHEET: 01/01		X.XX ±0.10
					REV.: A		X° ±1°