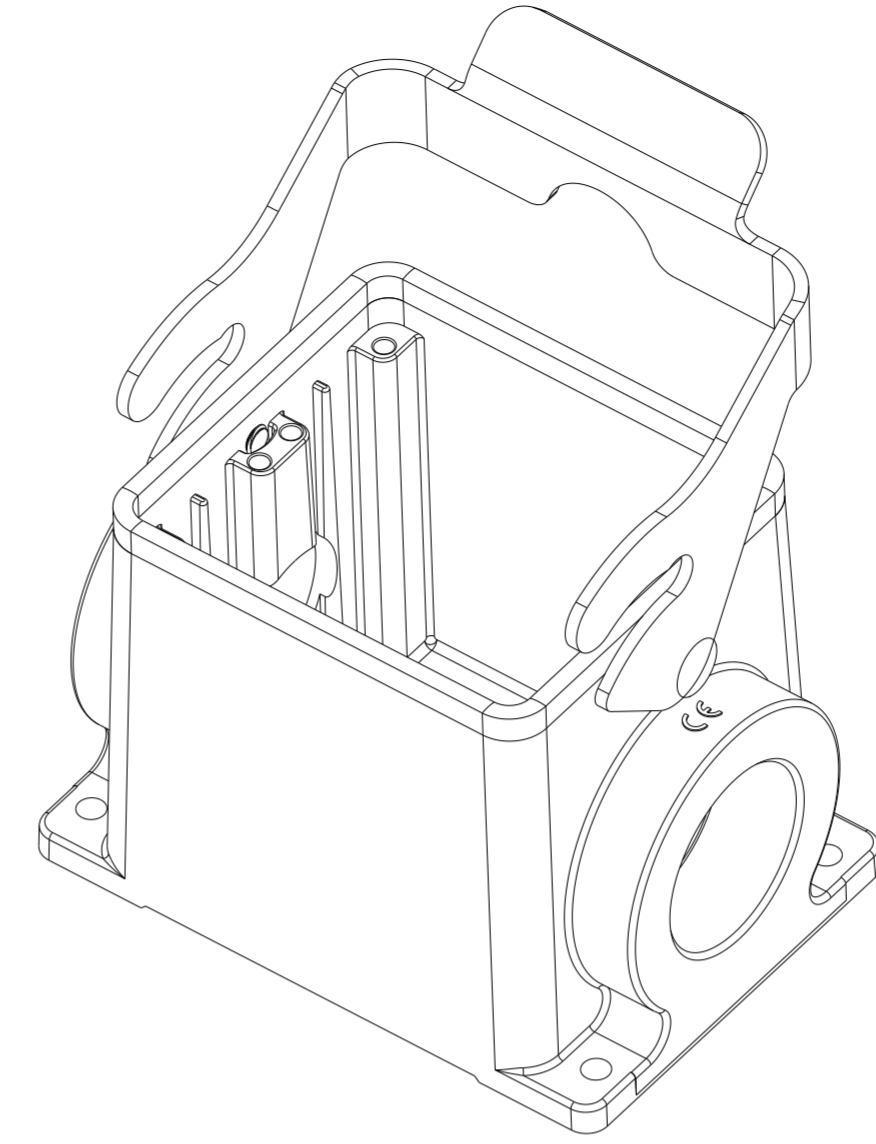
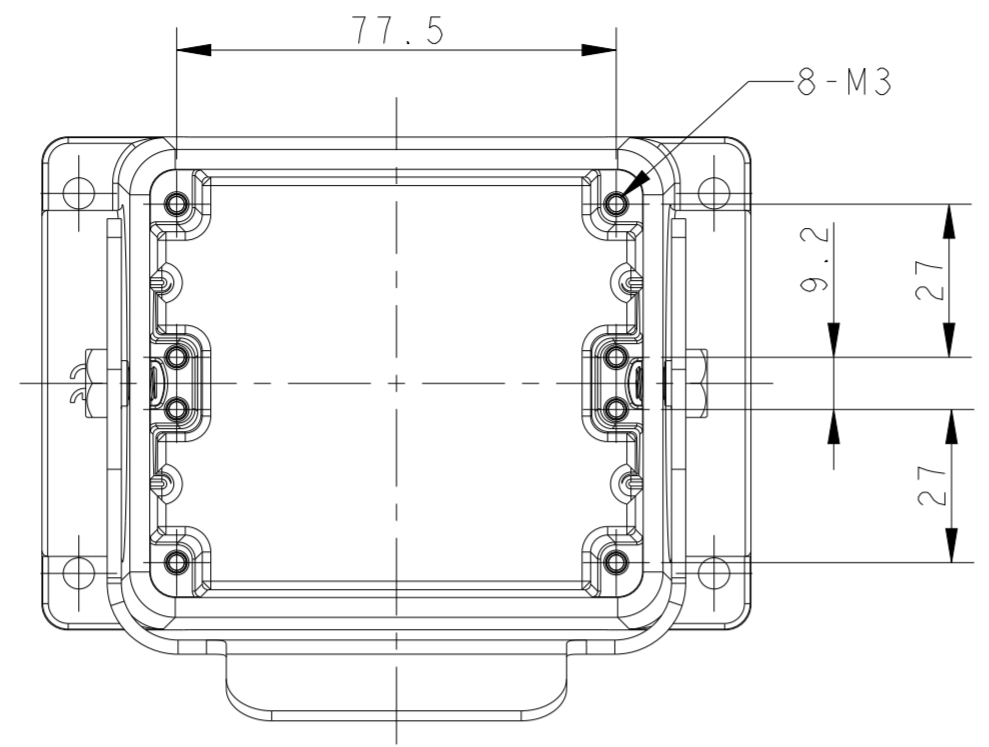


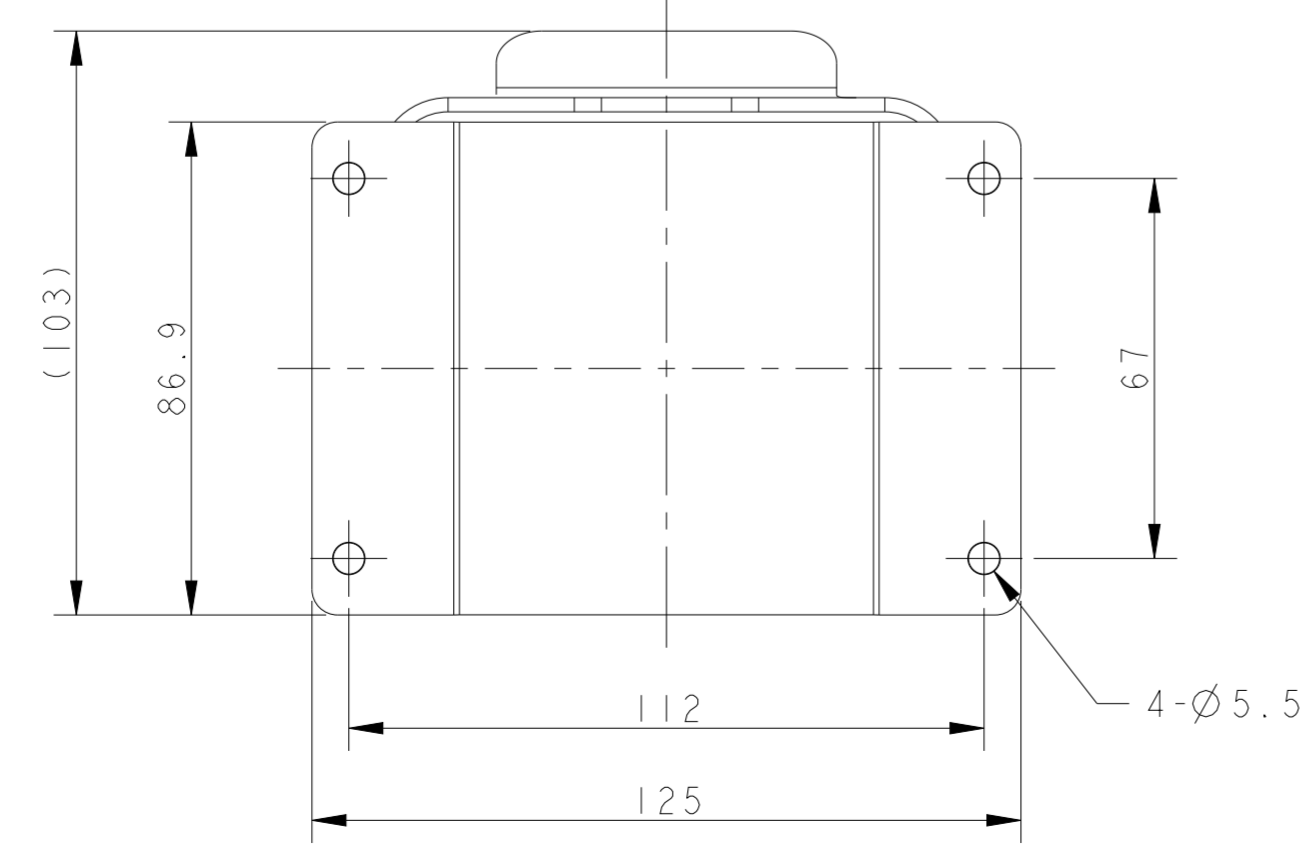
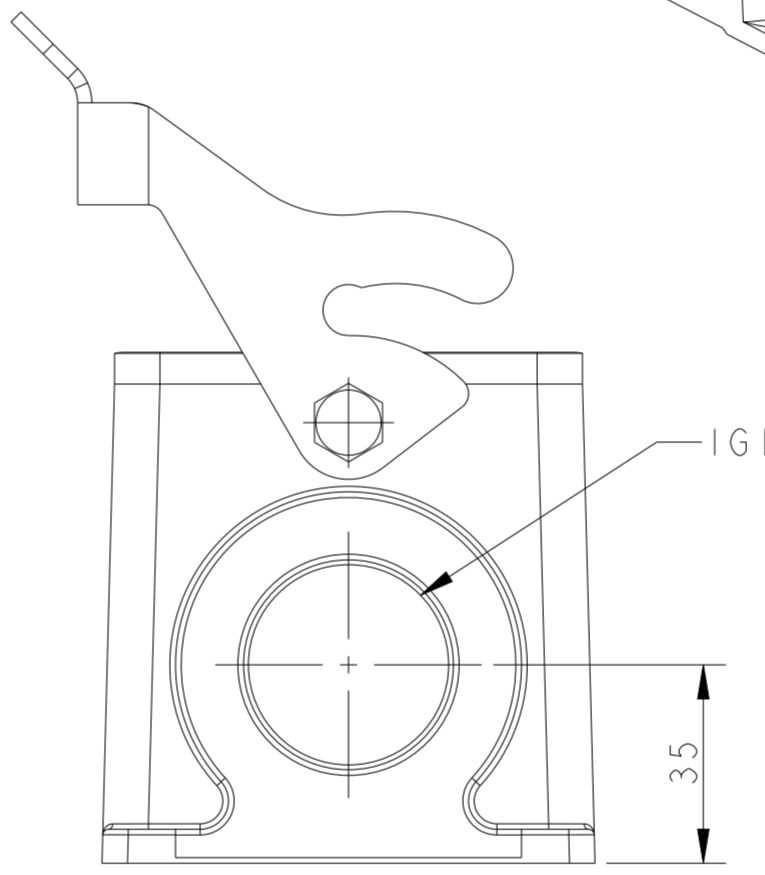
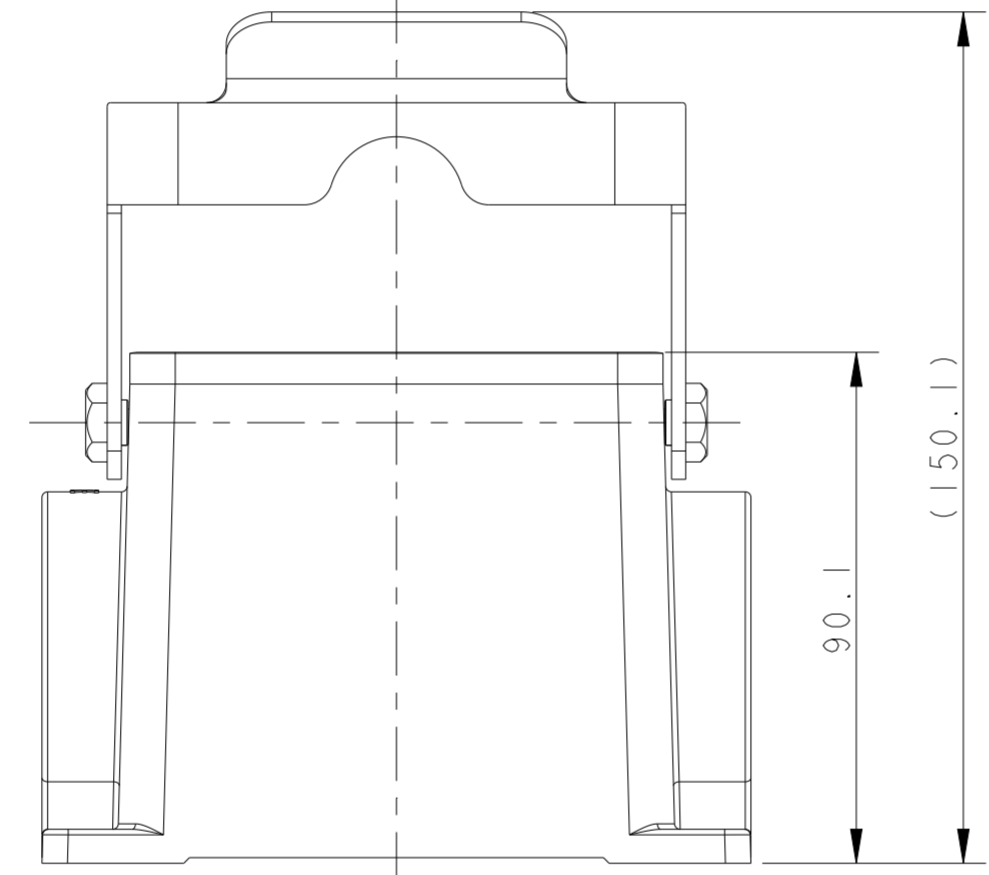
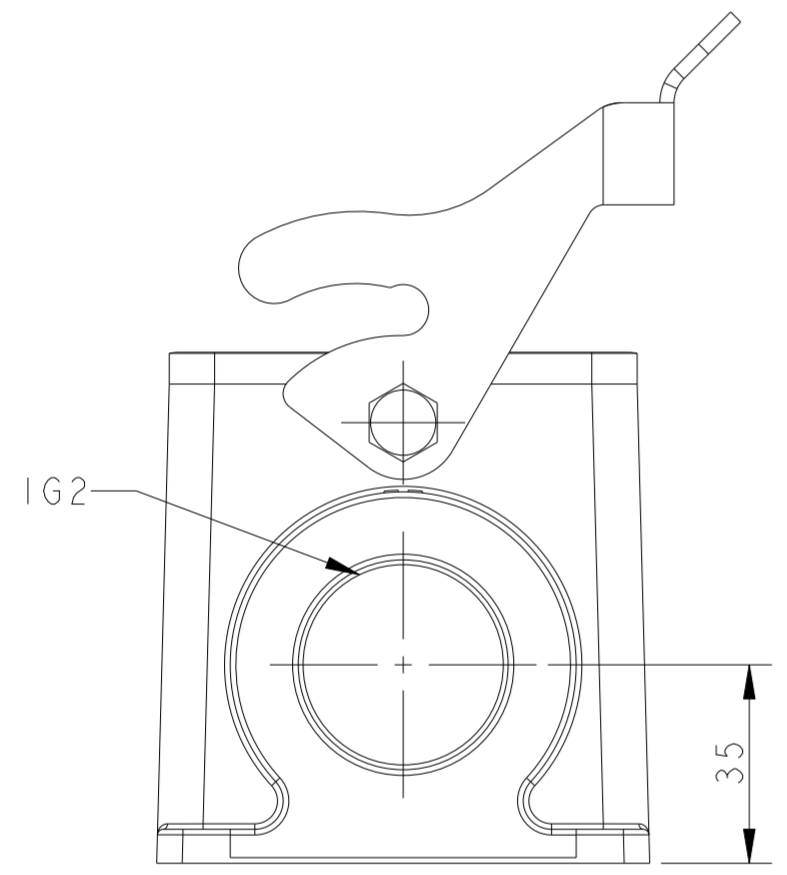
THIS DRAWING IS UNPUBLISHED. RELEASED FOR PUBLICATION 20
 © COPYRIGHT 20 BY - ALL RIGHTS RESERVED.

REVISIONS				
P	LTR	DESCRIPTION	DATE	APVD
A		INITIAL RELEASE	04JUN2015	DL CW
B		ECR-21-109004	17AUG2021	WOR CW



NOTES:
 1. TECHNICAL CHARACTERISTICS:
 BODY MATERIAL: DIE CAST ALUMINIUM ALLOY
 SURFACE TREATMENT: POWDER-COATED, GRAY
 DEGREE OF PROTECTION: IP65 (MATED)

注释:
 1. 技术参数:
 主体材料: 铝合金
 表面处理: 粉末喷涂, 灰色
 防护等级: IP65(配合)



T1610322129-000	H32B-SGR-LB-PG29	PG29	-
T1610322132-000	H32B-SGR-LB-M32	M32	-
T1610322136-000	H32B-SGR-LB-PG36	PG36	-
T1610322140-000	H32B-SGR-LB-M40	M40	-
T1610322142-000	H32B-SGR-LB-PG42	PG42	-
T1610322150-000	H32B-SGR-LB-M50	M50	-
T1610322229-000	H32B-SGR-LB-2PG29	PG29	PG29
T1610322232-000	H32B-SGR-LB-2M32	M32	M32
T1610322236-000	H32B-SGR-LB-2PG36	PG36	PG36
T1610322240-000	H32B-SGR-LB-2M40	M40	M40
ASSEMBLY PART NUMBER	ASSEMBLY PART DESCRIPTION	IG1	IG2

THIS DRAWING IS A CONTROLLED DOCUMENT.

DWN DAVID LI 04JUN2015	TE Connectivity					
CHK CHRIS WANG 04JUN2015						
APVD XU XIANG 04JUN2015						
NAME H32B-SGR-LB-PG/M						
DIMENSIONS: mm	TOLERANCES UNLESS OTHERWISE SPECIFIED:	PRODUCT SPEC 108-137013	SIZE A2	CAGE CODE -	DRAWING NO. C-T1610322XXX000	RESTRICTED TO
0 PLC ±	1 PLC ±	APPLICATION SPEC 114-137013	SCALE 3:4	SHEET 1 OF 1	REV B	
2 PLC ±	3 PLC ±	WEIGHT -				
4 PLC ±	ANGLES ±	CUSTOMER DRAWING				
FINISH -	-					