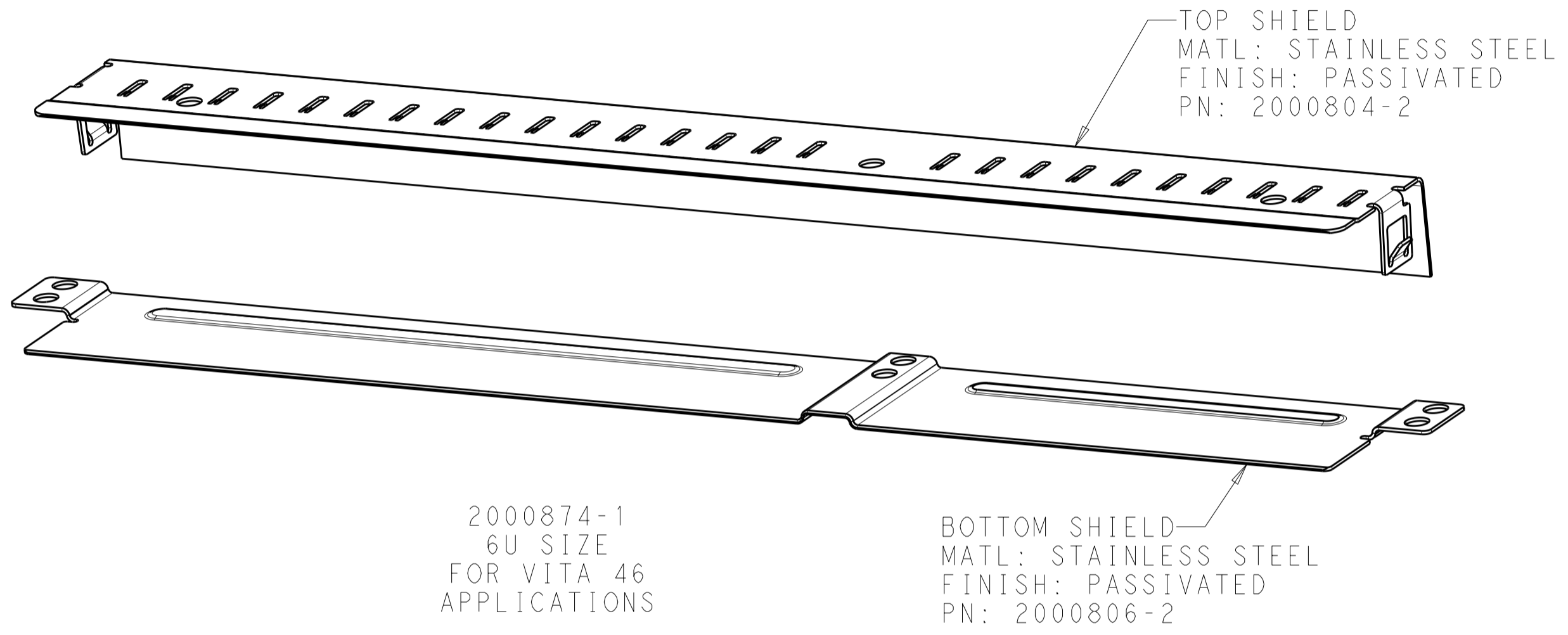
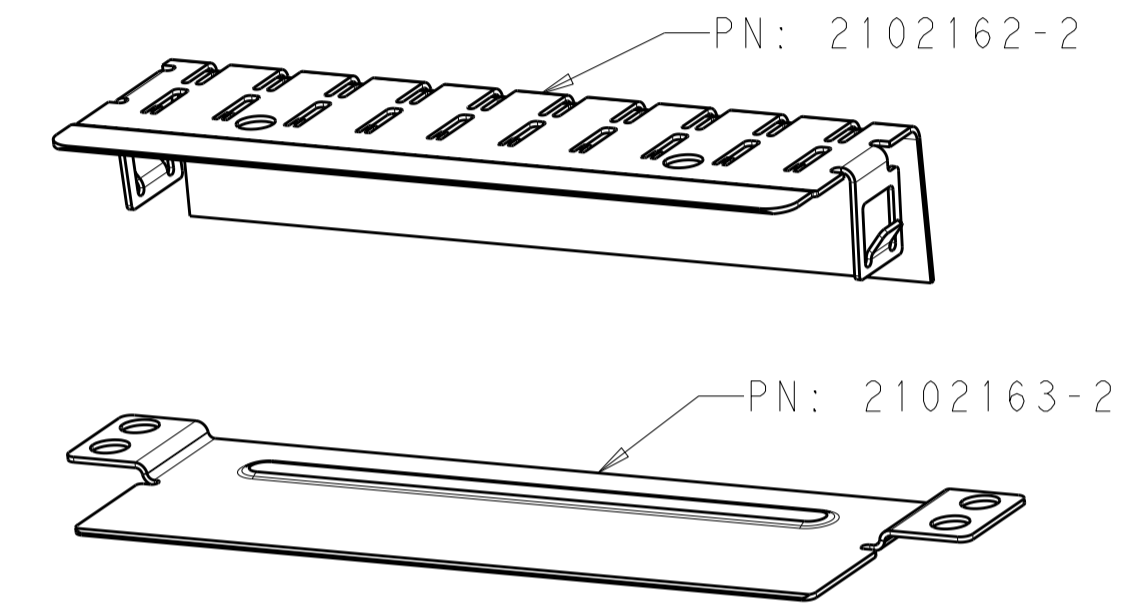


THIS DRAWING IS UNPUBLISHED. RELEASED FOR PUBLICATION 20  
 © COPYRIGHT 20 BY - ALL RIGHTS RESERVED.

LOC	DIST	REVISIONS			
P	LTR	DESCRIPTION	DATE	DWN	APVD
A5	DF	5	ADDED PART NUMBER CALLOUTS	23AUG2011	AT AT



2000874-1  
6U SIZE  
FOR VITA 46  
APPLICATIONS



2000874-2  
3U SIZE  
FOR VITA 46  
APPLICATIONS

- FOR USE WITH MULTIGIG EXTREME MODULES, PART NUMBERS 2000875, 2000877, AND 2000878. SEE CUSTOMER DRAWINGS OF THESE MODULES FOR PCB LAYOUTS.
- PCB LAYOUTS TO BE PER VITA 46.0 BASELINE STANDARD EXCEPT FOR REQUIRED  $1.6 \pm 0.08$  BOARD THK IN AREAS WHERE GUIDE MODULES ARE MOUNTED.

3U PER VITA 46	2000874-2
6U PER VITA 46	2000874-1
MODULE SIZE DESIGNATION	KIT PART NUMBER

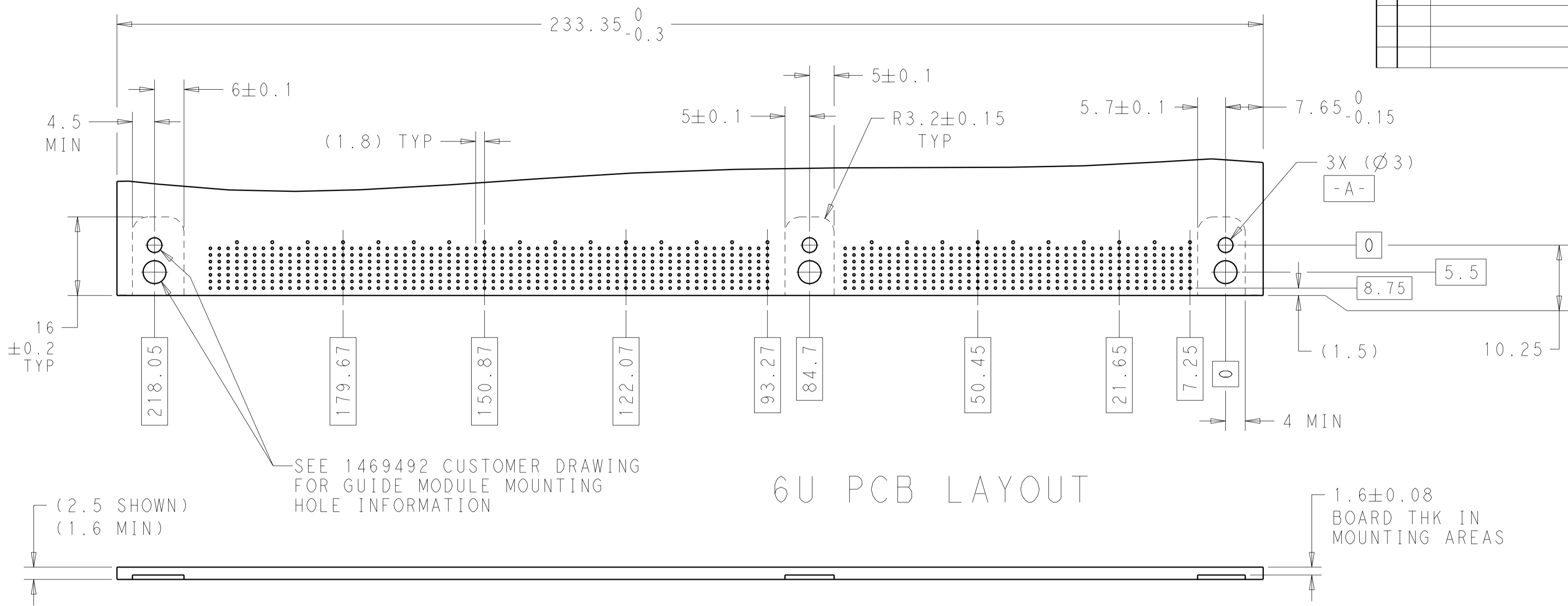
THIS PRODUCT HAS NOT COMPLETED VALIDATION TESTING

THIS PRINT IS  
**PRELIMINARY**  
UNQUALIFIED PRODUCT  
CONTACT PRODUCT ENGINEERING  
BEFORE USING THIS PRINT

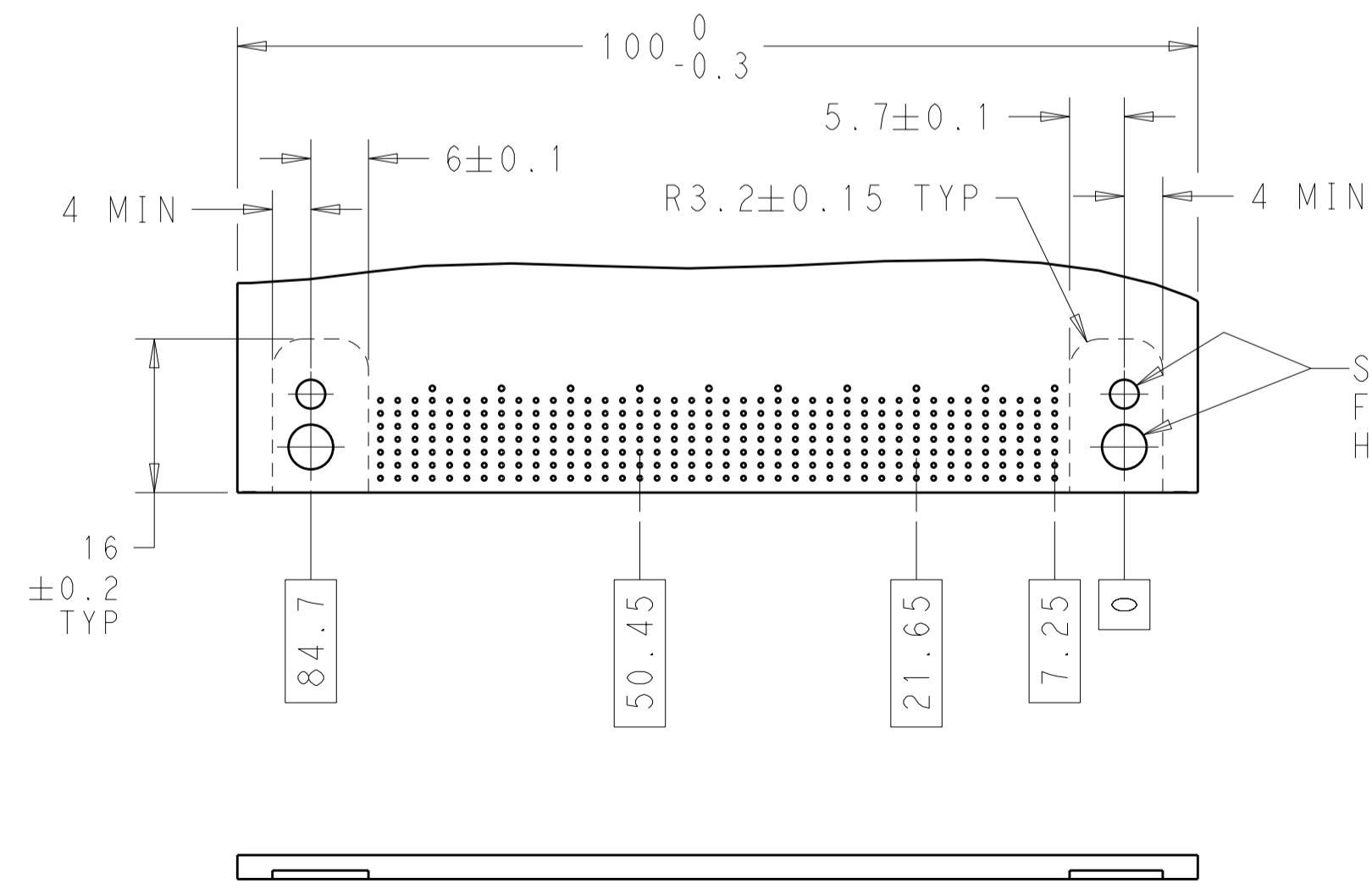
THIS DRAWING IS A CONTROLLED DOCUMENT.		DWN 03AUG2009 Brent D. Yohn	<b>STE</b> TE Connectivity	
DIMENSIONS: mm		CHK 01SEP2009 M.R. McALONIS		
TOLERANCES UNLESS OTHERWISE SPECIFIED:		APVD 28SEP2009 HUNG T. NGUYEN	NAME KIT, SHIELD, DAUGHTER CARD, MGX, 6U AND 3U	
0 PLC ±-		PRODUCT SPEC 108-2072-2	SIZE CAGE CODE DRAWING NO RESTRICTED TO	
1 PLC ±-		APPLICATION SPEC 408-10332	A200779C-2000874	
2 PLC ±-		WEIGHT -	SCALE 1:1 SHEET 1 OF 2 REV 5	
3 PLC ±-		CUSTOMER DRAWING		
4 PLC ±-				
ANGLES ±-				
FINISH				

THIS DRAWING IS UNPUBLISHED. RELEASED FOR PUBLICATION 20  
 © COPYRIGHT 20 BY - ALL RIGHTS RESERVED.

LOC	DIST	REVISIONS			
P	LTR	DESCRIPTION	DATE	DWN	APVD
A5	DF	SEE SHEET 1			



6U PCB LAYOUT



3U PCB LAYOUT

THIS DRAWING IS A CONTROLLED DOCUMENT.		DWN 03AUG2009 Brent D. Yohn	TE Connectivity	
DIMENSIONS: mm		CHK 01SEP2009 M.R. McALONIS		
TOLERANCES UNLESS OTHERWISE SPECIFIED:		APVD 28SEP2009 HUNG T. NGUYEN	NAME KIT, SHIELD, DAUGHTER CARD, MGX, 6U AND 3U	
0 PLC ±		PRODUCT SPEC 108-2072-2	SIZE CAGE CODE DRAWING NO RESTRICTED TO	
1 PLC ±		APPLICATION SPEC 408-10332	A200779 C-2000874	
2 PLC ±		WEIGHT -	SCALE 3:2 SHEET 2 OF 2 REV 5	
3 PLC ±		CUSTOMER DRAWING		
4 PLC ±				
ANGLES ±				
FINISH ±				