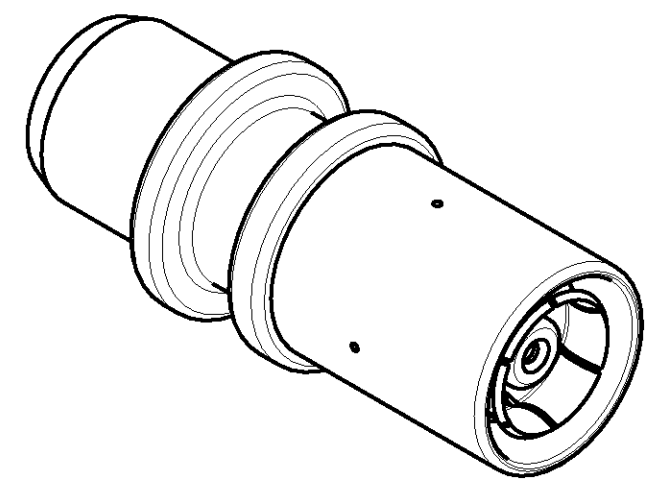
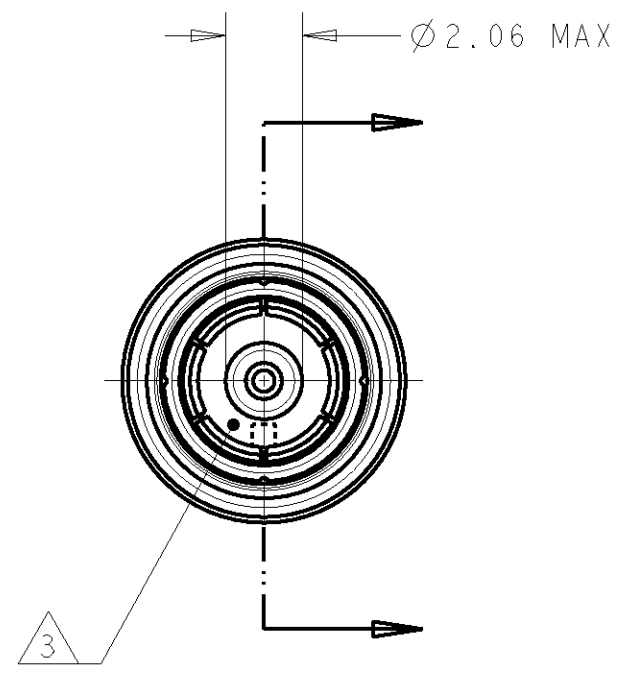
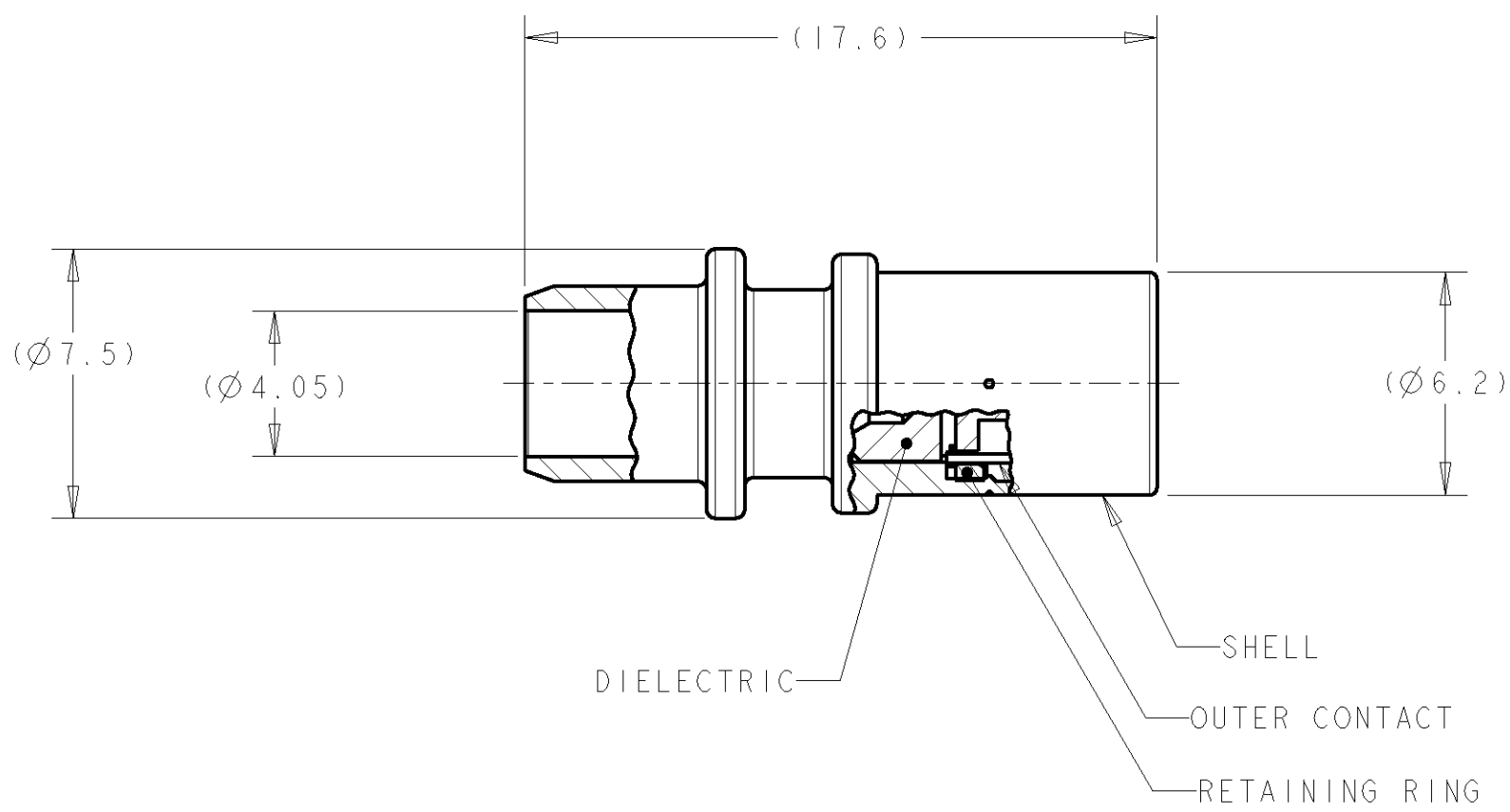


THIS DRAWING IS UNPUBLISHED. RELEASED FOR PUBLICATION 20
 © COPYRIGHT 20 BY TYCO ELECTRONICS CORPORATION. ALL RIGHTS RESERVED.

LOC	DIST	REVISIONS					
		P	LTR	DESCRIPTION	DATE	DWN	APVD
IN	00		A	INITIAL RELEASE	05JAN2006	DJH	JWH
			B	REVISED PER ECR 06-023043	06OCT2006	DLD	LLV

- ① SHELL: ZINC.
 OUTER CONTACT: COPPER.
 RETAINING RING: BRASS.
 DIELECTRIC: POLYESTER PBT, CURRY.
- ② SHELL: 2.0µm MIN TIN OVER 1.0µm MIN NICKEL, BOTH OVER 5.08µm MIN COPPER.
 OUTER CONTACT: 3.75µm MIN TIN OVER 1.27µm MIN NICKEL.
 RETAINING RING: 2.03µm MIN TIN OVER 1.27µm MIN NICKEL.
- ③ PLUG SUBASSEMBLY ACCEPTS JACK SUBASSEMBLIES MEETING DIN 72594-1,
 ROAD VEHICLES - RADIO FREQUENCY INTERFACE - DIMENSIONS AND ELECTRICAL REQUIREMENTS.
- 4. SEE INSTRUCTION SHEET 408-10028.



ISOMETRIC VIEW

1438895-1
 PART NUMBER

<small>THIS DRAWING IS A CONTROLLED DOCUMENT FOR TYCO ELECTRONICS CORPORATION IT IS SUBJECT TO CHANGE AND THE CONTROLLING ENGINEERING ORGANIZATION SHOULD BE CONTACTED FOR THE LATEST REVISION.</small>		DWN 05JAN2006 D. J. HARDY CHK 05JAN2006 J. W. HALL APVD 05JAN2006 J. W. HALL		tyco Electronics Tyco Electronics Harrisburg, PA 17105-3608	
DIMENSIONS: mm 		TOLERANCES UNLESS OTHERWISE SPECIFIED: 0 PLC ±- 1 PLC ±- 2 PLC ±- 3 PLC ±- 4 PLC ±- ANGLES ±-		NAME PLUG SUBASSEMBLY, RG-59, RG-62, RG-62U/M, RG-71 OR RG-71U/M, SMB	
MATERIAL ①		FINISH ②		PRODUCT SPEC - APPLICATION SPEC 114-13157 WEIGHT -	
CUSTOMER DRAWING				SIZE A3 CAGE CODE 00779 DRAWING NO. 1438895 RESTRICTED TO -	
				SCALE 5:1 SHEET 1 OF 1 REV B	