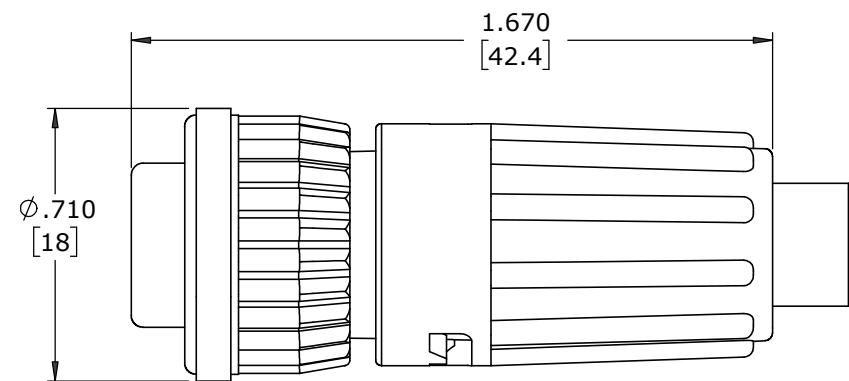
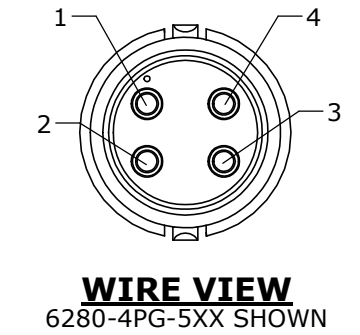
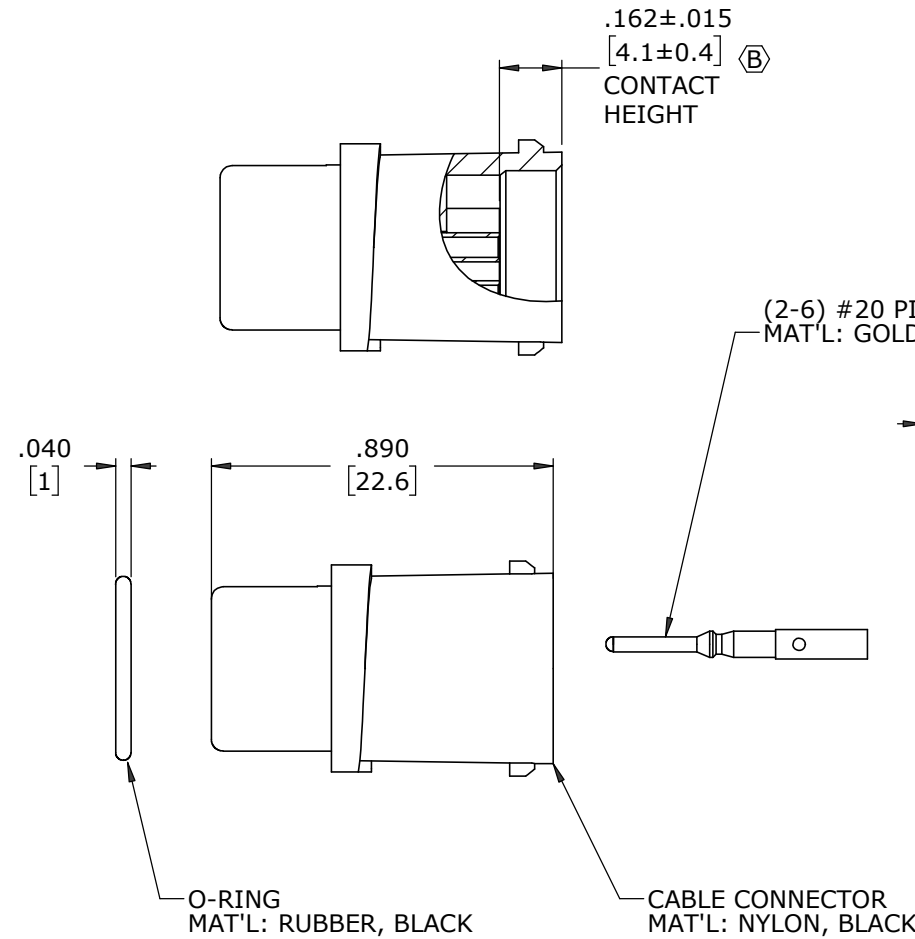
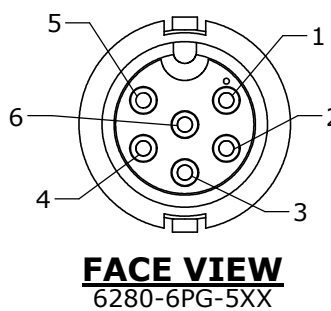
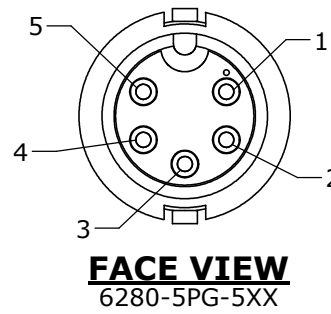
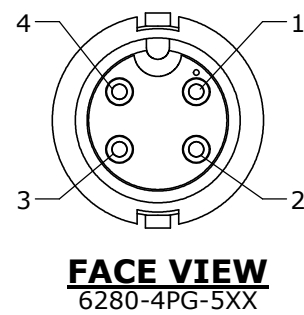
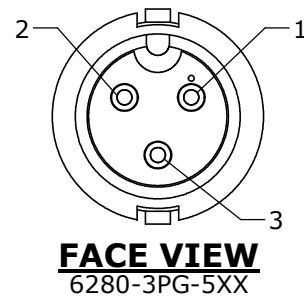
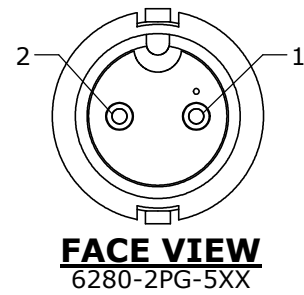


- NOTES:
 1. ALL PARTS ARE BULK PACKED
 2. CONTACTS ARE SHIPPED UNASSEMBLED
 3. ALL DIMENSIONS ARE REFERENCE EXCEPT THOSE WITH A TOLERANCE

ASSY P/N	GROMMET SIZE
6280-XPG-513	.148 GROMMET I.D. FOR CABLE O.D. .13-.15 [3.3-3.8mm]
6280-XPG-516	.176 GROMMET I.D. FOR CABLE O.D. .16-.18 [4.1-4.6mm]
6280-XPG-519	.206 GROMMET I.D. FOR CABLE O.D. .19-.21 [4.8-5.3mm]
6280-XPG-522	.245 GROMMET I.D. FOR CABLE O.D. .22-.25 [5.6-6.3mm]
6280-XPG-526	.265 GROMMET I.D. FOR CABLE O.D. .25-.27 [6.4-6.9mm]
6280-XPG-528	.280 GROMMET I.D. FOR CABLE O.D. .26-.28 [6.6-7.1mm]

ASSY P/N	NO. OF CONTACTS
6280-2PG-5XX	2 #20
6280-3PG-5XX	3 #20
6280-4PG-5XX	4 #20
6280-5PG-5XX	5 #20
6280-6PG-5XX	6 #20
6280-XPG-5XX	

GROMMET SIZE
 NO. OF CONTACTS



SHOWN ASSEMBLED [ⓑ]
 FOR CUSTOMER REFERENCE ONLY

DIMENSIONS IN BRACKETS [] ARE IN MILLIMETERS

CUSTOMER APPROVAL			
THIS DOCUMENT CONTAINS CONFIDENTIAL INFORMATION PROPRIETARY TO CONXALL CORPORATION. ANY REPRODUCTION, DISCLOSURE, OR USE OF THIS DOCUMENT /INFORMATION IS EXPRESSLY PROHIBITED UNLESS AUTHORIZED IN WRITING BY CONXALL CORPORATION.			
REV.	INIT.	DATE	DESCRIPTION
B	MA	02-16-21	ADDED 6280-XPG-526 & 6280-XPG-528 TO CHART. ADDED CONTACT HEIGHT AND ASSEMBLED VIEW PER ECR 9544
A	BZ	09-09-09	DRAWING CREATED PER DOR 09-E149SL
APPROVED BY: _____		DATE: _____	
ALL INFORMATION ILLUSTRATED IS THE PROPERTY OF "CONXALL CORPORATION". UNAUTHORIZED DUPLICATION OR DISTRIBUTION OF THIS DOCUMENT IS PROHIBITED.		ORIG. DRAWN BY: BZ	DATE: 09-09-09
ALL UNITS ARE IN FEET, INCHES, FRACTION OF INCHES AND DECIMALS.		CHECKED BY: _____	
UNLESS OTHERWISE SPECIFIED TOLERANCES: 3 PLACE DECIMALS ±.005 ANGLES 3/16 FRACTIONS ±1/16		APPROVED BY: _____	
- CRITICAL CHARACTERISTIC FLAG PER SPEC. XXXX		SCALE: NTS	SIZE: B
RoHS COMPLIANT		SHEET: 1 OF 1	TITLE: CONNECTOR ASSEMBLY KIT (2-6) #20 PIN CONTACTS MINI-CON-X
FILE: 6280-XPG-5XX	DIRECTORY: SLW	CUSTOMER: STANDARD PRODUCT	PART NUMBER: 6280-XPG-5XX
			REV B

CUSTOMER PRINT

PART NUMBER: 6280-XPG-5XX