

SIGN	DATE	DESCRIPTION	APPROVER
△	08/31'12	Modify the drawing	Dacheng
△	02/06'13	update the drawing	Dacheng

THIS IS CAD DRAWING, DO NOT REVISE MANUALLY!!!

- Material:
- Item ① Terminal body(With holder): Thermoplastic (UL94V-0)
 - Item ② Terminal body(With pillar): Thermoplastic (UL94V-0)
 - Item ③ Female contact: PhBz. Tin plated
 - Item ④ Spring Clamp: Stainless steel
 - Item ⑤ Terminal(Left cover): Thermoplastic (UL94V-0)
 - Item ⑥ Terminal(Right cover): Thermoplastic (UL94V-0)

- Electrical:
- Voltage rating: 300 V
 - Current rating: 8 A
 - Wire range:
 - Solid wire(AWG): 12-28
 - Stranded wire(AWG): 12-28
 - Wire strip length: 8-9 mm
 - Withstanding Voltage: 1.6KV
 - Operating temperature: -40°C to +115°C
 - Critical dimension: ▽

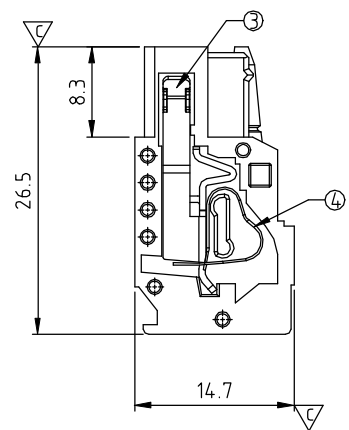
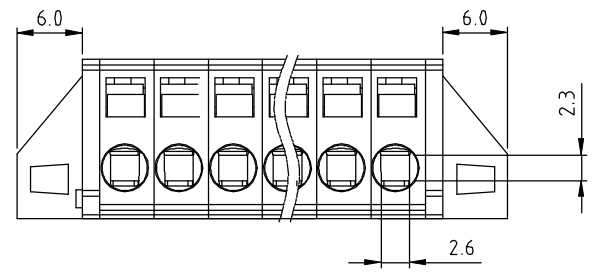
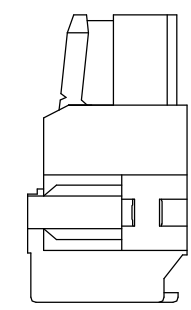
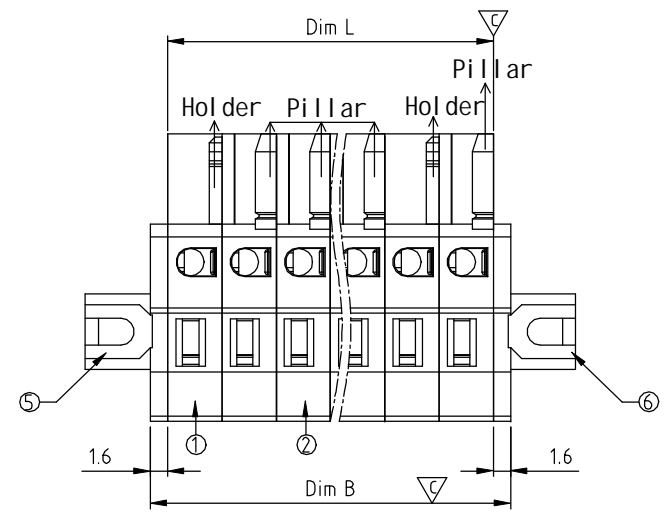
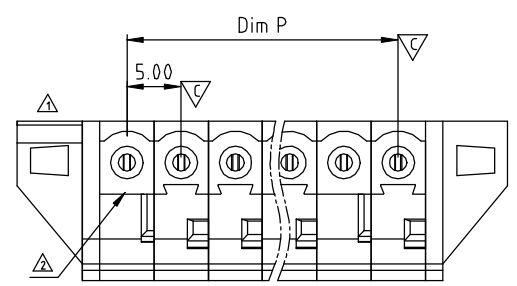
HI xx 0 1 x 2 xxxx G

No. OF POLES
02: 2 POLES
:
24: 24 POLES

RoHS compliant
(lead<4%)
In copper Alloy

0000: Standard
Any special item by
customer request.
please contact sales
department.

▽ COLOR
0 Black (RAL9005)
2 Red (RAL3001/D)
3 Orange(RAL2011/P)
4 Yellow(RAL1018/A)
5 Green(RAL6018/T)
6 Blue (RAL5015/A)
8 Grey(RAL7035/D)
9 White(RAL1102)
C Multiple colors



Layout of Holder and Pillar:

2P	Holder+Pillar
3P	Holder+Holder+Pillar
4P	Holder+Pillar+Holder+Pillar
5P	Holder+Pillar+Pillar+Holder+Pillar
5P over	Holder+Pillar+Pillar+Holder+Pillar

DIM	TOL					
	2P	3P-6P	7P-12P	13P-18P	19P-24P	
Dim L	N×5.0	±0.05	±0.15	±0.20	±0.30	±0.40
Dim P	(N-1)×5.0	±0.05	±0.15	±0.20	±0.30	±0.40
Dim B	N×5.0+3.2	±0.05	±0.15	±0.20	±0.30	±0.40

ANYTEK				CUSTOMER COPY			
ALL RIGHTS RESERVED. REPRODUCTION OR ISSUE TO THIRD PARTIES IN ANY FORM WHATSOEVER IS NOT PERMITTED WITHOUT WRITTEN AUTHORITY FROM THE PROPRIETOR. PROPERTY OF ANYTEK TECHNOLOGY CO., LTD							
TITLE	HI 5.0mm -With flange 100% protected against mismatching						
PART NO.	HIxx01x2xxxxG			DWG NO.	8HI0404		
APPROVED	CHECKED	DESIGNED	DRAWN	CUST NO.	Tolerance		
		Dacheng 2013.02.06	Dacheng 2013.02.06		UNIT: mm SCALE: NONE		
				SHEET: 01/01	REV.: D	X. ±0.50	X.X ±0.30
						X.XX ±0.10	X° ±1°