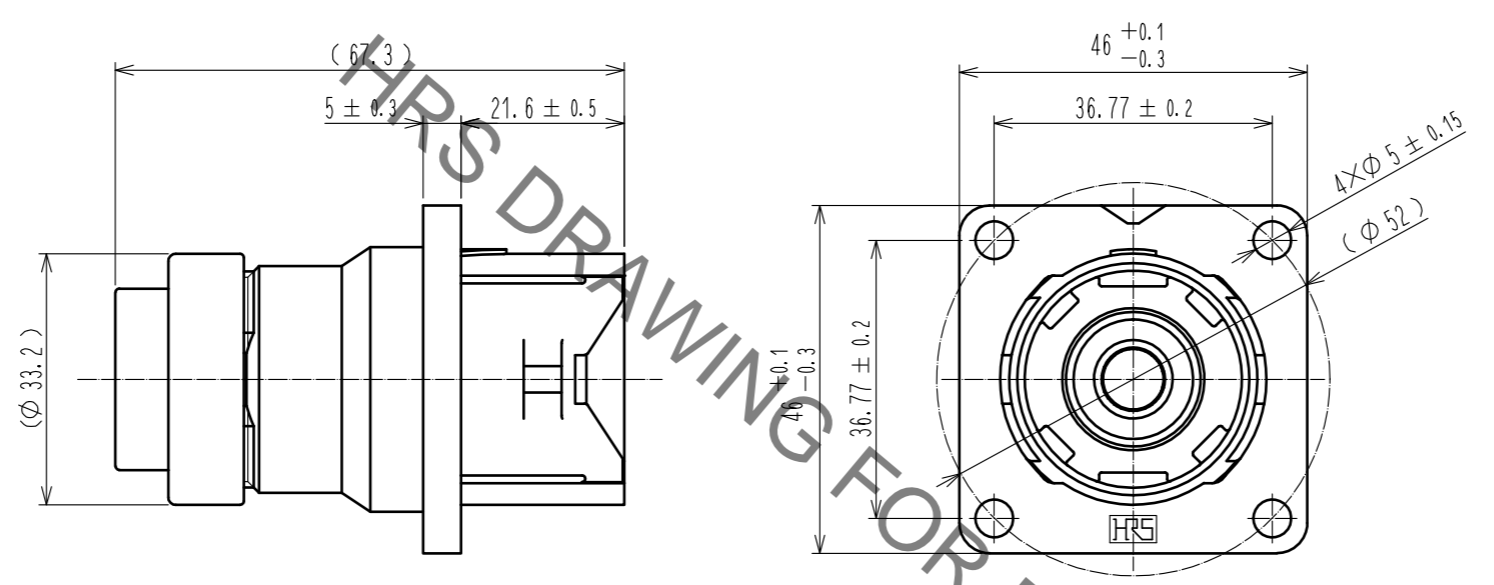
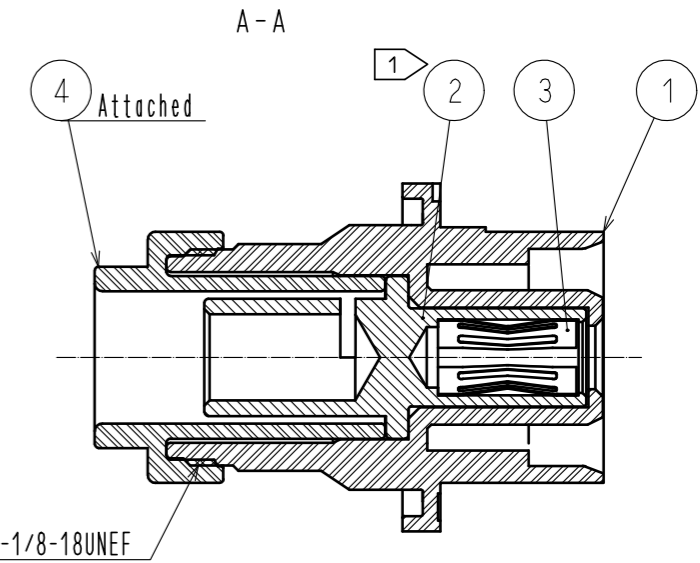
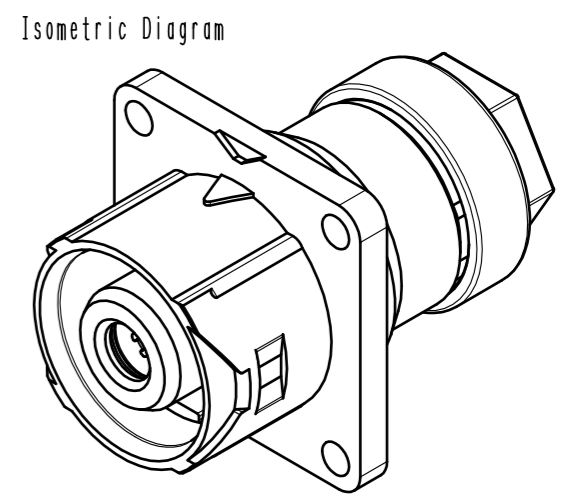
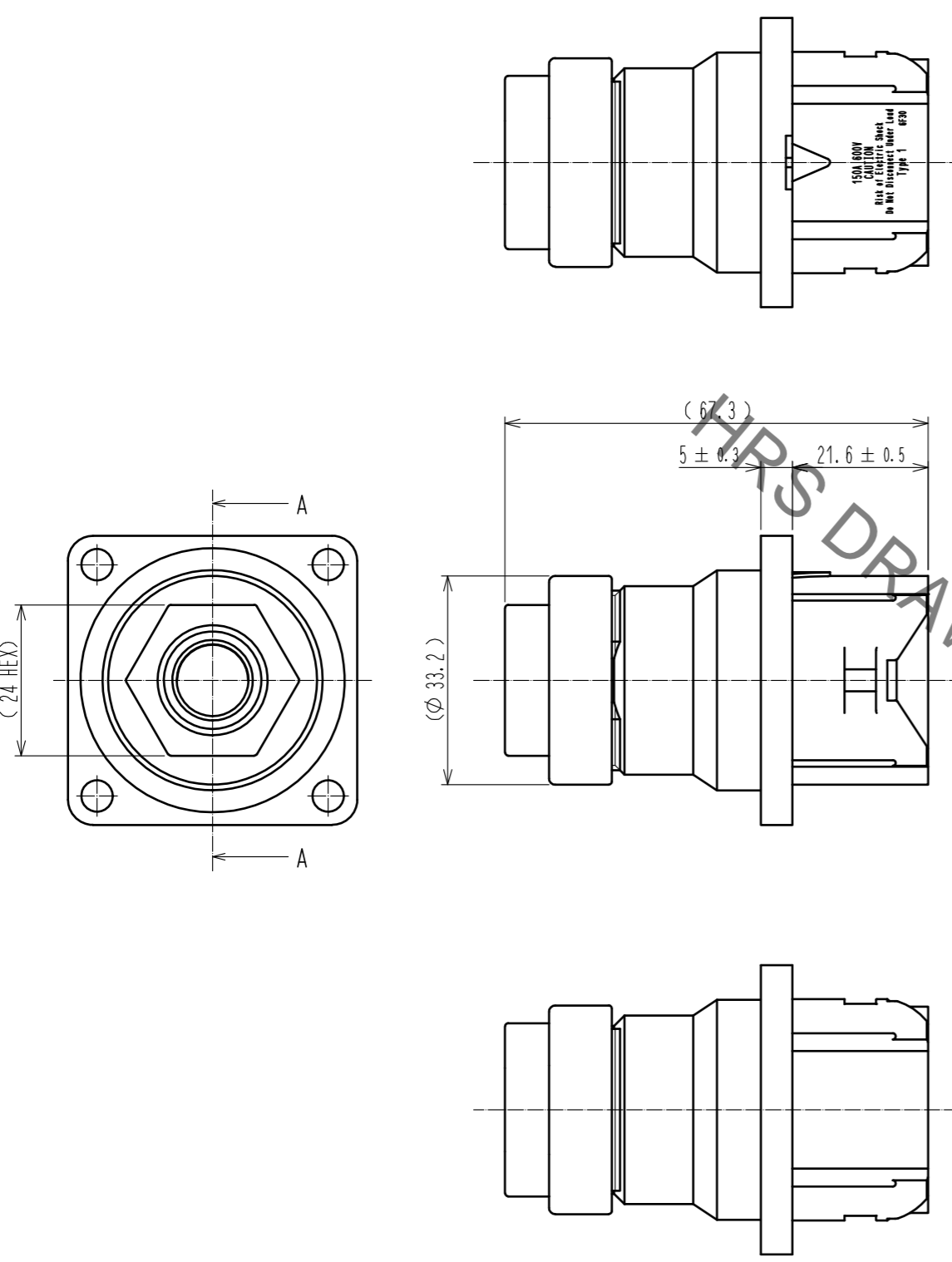
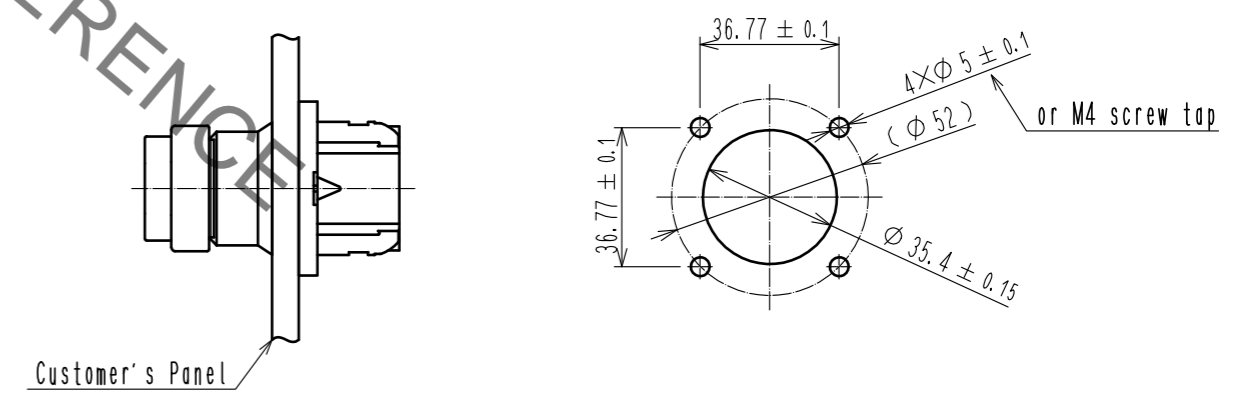


Jan.1.2022 Copyright 2022 HIROSE ELECTRIC CO., LTD. All Rights Reserved.
 In case of consideration for using Automotive equipment / device which demand high reliability, kindly contact our sales window correspondents.



Recommended Panel Installation State Diagram · Dimensions.(1:2)



- Notes
1. The contact will be sent with Ref.No. ③ inserted into Ref. No. ②.
 2. Rotation examples of ref no. ① and ④ are shown.
 3. Recommended Crimping Tool: JIS-C-9711 IZUMI CO., LTD REC-150F.
 4. The recommended tightening torque of Ref.No. ④ to be 3N·m.
 Furthermore, to prevent loosening, it is recommended that thread-locking fluid be used.
 5. This product is UL certified. (File E481344)

WARNING . This product is not hot pluggable.

NO.	MATERIAL	FINISH .	REMARKS	NO.	MATERIAL	FINISH .	REMARKS
2	Copper	Silver plating	3μm	4	PBT	(Black)	UL94V-0
1	PBT	(Black)	UL94V-0	3	Copper alloy	Silver plating	3μm

UNITS	SCALE	COUNT	DESCRIPTION OF REVISIONS	DESIGNED	CHECKED	DATE
mm	1 : 1	△	APPROVED : EJ. KUNII 16.08.08			
			CHECKED : EJ. KUNII 16.08.08			
			DESIGNED : TY. TAKAHASHI 16.08.08			
			DRAWN : TY. TAKAHASHI 16.08.08			

DRAWING NO.	PART NO.	CODE NO.
EDC-119511-00-00	EM30M-BJ-1SCA-K	CL138-0077-0-00