

SIGN	DATE	DESCRIPTION	APPROVER
△	10/20'08	Add APPROVAL: : CQC	Kind
△	4/17'09	Explanation changed	Eris
△	06/04'11	Critical dimension is changed.	Tason
△	06/04'11	The Wire Range is changed from 20-14AWG to 22-14AWG	Tason
△	06/04'11	The tolerance table is changed.	Tason
△	06/16'11	The dimension is changed from 5.55 to 5.5	Tason
△	06/16'11	The dimension is changed from 1.6 to 1.5	Tason
△	11/10'12	Change the screw plating specification	Jacky
△	12/23'13	Change the withstand voltage , current, Screw Torque.	Guoxue

THIS IS CAD DRAWING, DO NOT REVISE MANUALLY!!!

MATERIALS ELECTRICAL                      cULus                      CQC

△ RATED VOLTAGE & CURRENT:                      300 V, 30A / 300V 24A △

WITHSTAND VOLTAGE:                      AC2500V/min △

INSULATION RESISTANCE:                      1000 MΩ OR MORE AT DC 500 V

OPERATING TEMPERATURE RANG:                      -40 °C ~ +115 °C

SCREW TORQUE VALUE:                      10.54 Lb-In. / 0.8Nm △

△ WIRE RANGE:                      22 - 10 AWG / 22-14 AWG △

1) MOLDED PARTS:                      Thermoplastic, UL 94 V-0 BLACK

2) TERMINAL:                      BRASS, 0.8t, Tin PLATED

3) TERMINAL SCREWS:                      STEEL, M3.5

△ Critical dimension: △

△ APPROVAL: cULus CQC

PART NO:

YK 445 xx 0 x x 00G

NO. OF POLES                      G:RoHS compliant (lead<4%) in copper alloy

02: 2 POLES                      MARK

03: 3 POLES                      0: "@" MARK

04: 4 POLES                      1: "ANY" MARK

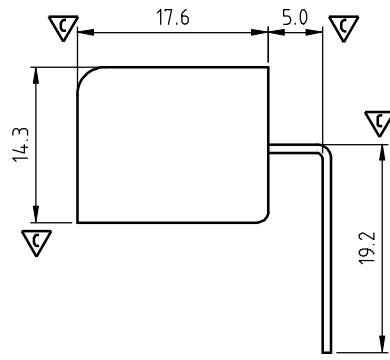
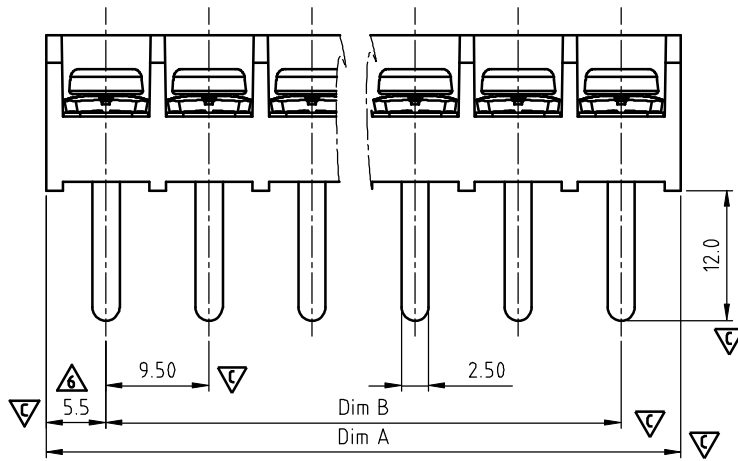
30: 30 POLES

△ 0: TERMINAL & SCREW: G/F

△ 1: TERMINAL: G/F, SCREW: Zinc

△ 2: TERMINAL: Sn, SCREW: G/F

△ 3: TERMINAL: Sn, SCREW: Zinc



△ N = Number of poles

Dim A = N x 9.5 + 1.5 △

Dim B = (N - 1) x 9.5

Poles	Tol.	Dim A & B
2-4p		±0.20
5-8p		±0.25
9-16p		±0.35
17-23p		±0.40
24-30p		±0.50

<b>ANYTEK</b>				<b>CUSTOMER COPY</b>			
ALL RIGHTS RESERVED. REPRODUCTION OR ISSUE TO THIRD PARTIES IN ANY FORM WHATSOEVER IS NOT PERMITTED WITHOUT WRITTEN AUTHORITY FROM THE PROPRIETOR. PROPERTY OF ANYTEK TECHNOLOGY CO., LTD							
TITLE		YK-445 Series		DWG NO.		8YK0001-445	
PART NO.		YK445xx0xx00G		CUST NO.			
APPROVED		CHECKED		DESIGNED		DRAWN	
		Guoxue 2014.01.07		Guoxue 2014.01.07			
SHEET: 01/01		UNIT: mm		SCALE: NONE		Tolerance	
		X. ±0.50		X.X ±0.30		X.XX ±0.10	
		X° ±1°					