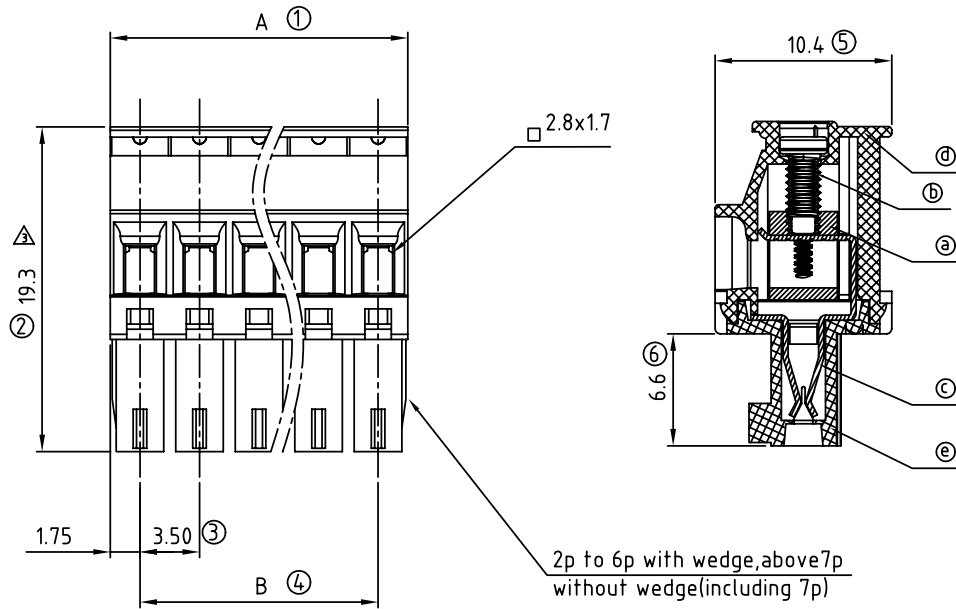
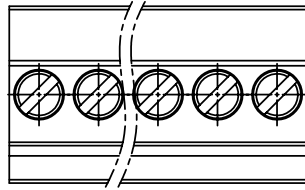


SIGN	DATE	DESCRIPTION	APPROVER
△	8/07'06	Added VDE standard	梁仁松
△	2008.12.02	The temperature changed from -30°C,+105°C to -40°C,+115°C	Jacke
△	2008.12.02	The dimension design changed from 19.1mm to 19.3mm	Jacke

THIS IS CAD DRAWING, DO NOT REVISE MANUALLY!!!



N = Number of contacts

DIMENSION	
A	NX3.5
B	(N-1)X3.5

Poles	Tolerance
2P-8P	±0.10
9P-16P	±0.20
17P-24P	±0.30

Material

- Item (a) Terminal body (metal housing): Brass (CuZn), Nickel plated
- Item (b) Terminal screw: Steel Zinc plating "-" slot type
- Item (c) Wire guard: PhBz, Tin plated
- Item (d) Insulator (housing): Thermoplastic (UL94V-0)
- Item (e) Insulator (cover): Thermoplastic (UL94V-0)

Electrical cULus/VDE

- Voltage rating: 300VAC/300VAC
- Current rating: 8A/10A
- Wire range: 1.5mm
- Solid wire (AWG): 16-28
- Stranded wire (AWG): 16-28
- Torque: 1.7Lb-In./0.2Nm
- Screw: M2
- Wire strip length: 6-7mm
- Withstanding Voltage: 1.6KV/2.5KV
- △ ● Operating temperature: -40°C to +115°C
- △ ● Safety approval: us

TS xx 1 1 x A xxxx G

No. OF POLES 02: 2 POLES : : 24: 24 POLES	Color 0 Black (RAL9005) 2 Red (RAL3001/D) 3 Orange (RAL2011/P) 4 Yellow (RAL1018/A) 5 Green (RAL6018/T) 6 Blue (RAL5015/A) 8 Grey (RAL7035/D)	RoHS pb<40, 000ppm 0000 Standard @ Logo 000A Standard ANY Logo Any special item by customer request, please contact sales department.
---	--	---

ANYTEK

CUSTOMER COPY

ALL RIGHTS RESERVED. REPRODUCTION OR ISSUE TO THIRD PARTIES IN ANY FORM WHATSOEVER IS NOT PERMITTED WITHOUT WRITTEN AUTHORITY FROM THE PROPRIETOR. PROPERTY OF ANYTEK TECHNOLOGY CO., LTD

TITLE				TS-3.5mm Series Without flange (W/latching hooks on the wire entry side)			
PART NO.		TSxx11xAxxxxG		DWG NO.		8TS0201	
APPROVED	CHECKED	DESIGNED	DRAWN	CUST NO.		Tolerance	
		Jacke	Jacke			X.	±0.50
		2008.12.10	2008.12.10			UNIT: mm	X.X
SHEET: 01/01				REV.: F		X.XX	±0.10
						X°	±1°