

THIS DRAWING IS A CONTROLLED DOCUMENT FOR SOURIAU USA, INC. IT IS SUBJECT TO CHANGE WITHOUT NOTICE. CONTACT THE DOCUMENT CONTROL CENTER FOR THE LATEST REVISION.

DWG. NO. **JBXFC3C**

4

3

2

1

ELECTRICAL:

EMI SHIELDING : SHIELDED FOR THE RANGE 55dB UP TO 100MHZ

INSULATION RESISTANCE : >500MΩ PER ANSI-EIA-364-D METHOD 21

MAX. CURRENT RATING : SEE INSULATOR DRAWING

CONNECTOR TESTING VOLTAGE : SEE INSULATOR DRAWING

CONNECTOR WORKING VOLTAGE : SEE INSULATOR DRAWING

PHYSICAL:

MAXIMUM WIRE SIZE USED : SEE INSULATOR DRAWING

CABLE DIAMETER WITH PLASTIC COLLET SET SUPPLIED: Ø4.9mm MIN. TO Ø12.0mm MAX.

ENVIRONMENTAL:

ENDURANCE: 1000 CYCLES AS PER MIL-STD 1344A, METHOD 2016.1

SHOCK: 50 g , DURATION 6 ms; AS PER MIL-STD 1344A, METHOD 2004.1

VIBRATIONS: 10 TO 2000Hz g = 15g, AS PER MIL-STD 1344A, METHOD 2005.1

PROTECTION INDEX: IP 40 AS PER CEI 529

ROHS COMPLIANT

SALT MIST : 48Hr PER SAE AS 1344 METHOD 1001.1 CEI 529

OPERATING TEMPERATURE:

WITH PLASTIC COLLETS: -55°C TO +125°C (-67°F TO +257°F)

WITH OPTIONAL METALLIC COLLETS: -55°C TO +200°C (-67°F TO +392°F) (ONLY ON REQUEST)

MASS (g)	VOLUME (mm ³)
56.8	8771

NOTES:

1 ▷ RED DOT.

MATERIAL:

OUTER SHELL & BACK NUT : } BRASS
 LATCHING SLEEVE & SPACER : }
 RETAINING NUT & BACKSHELL : }

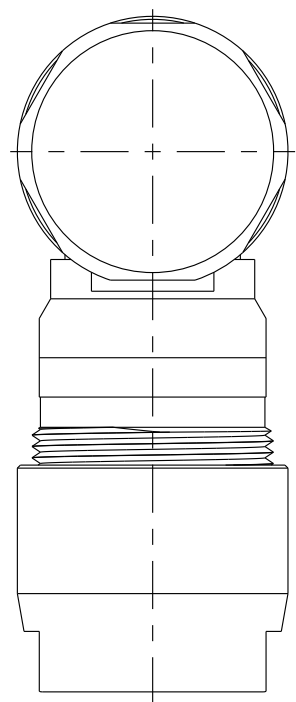
COLLET : POLYAMIDE

FINISH:

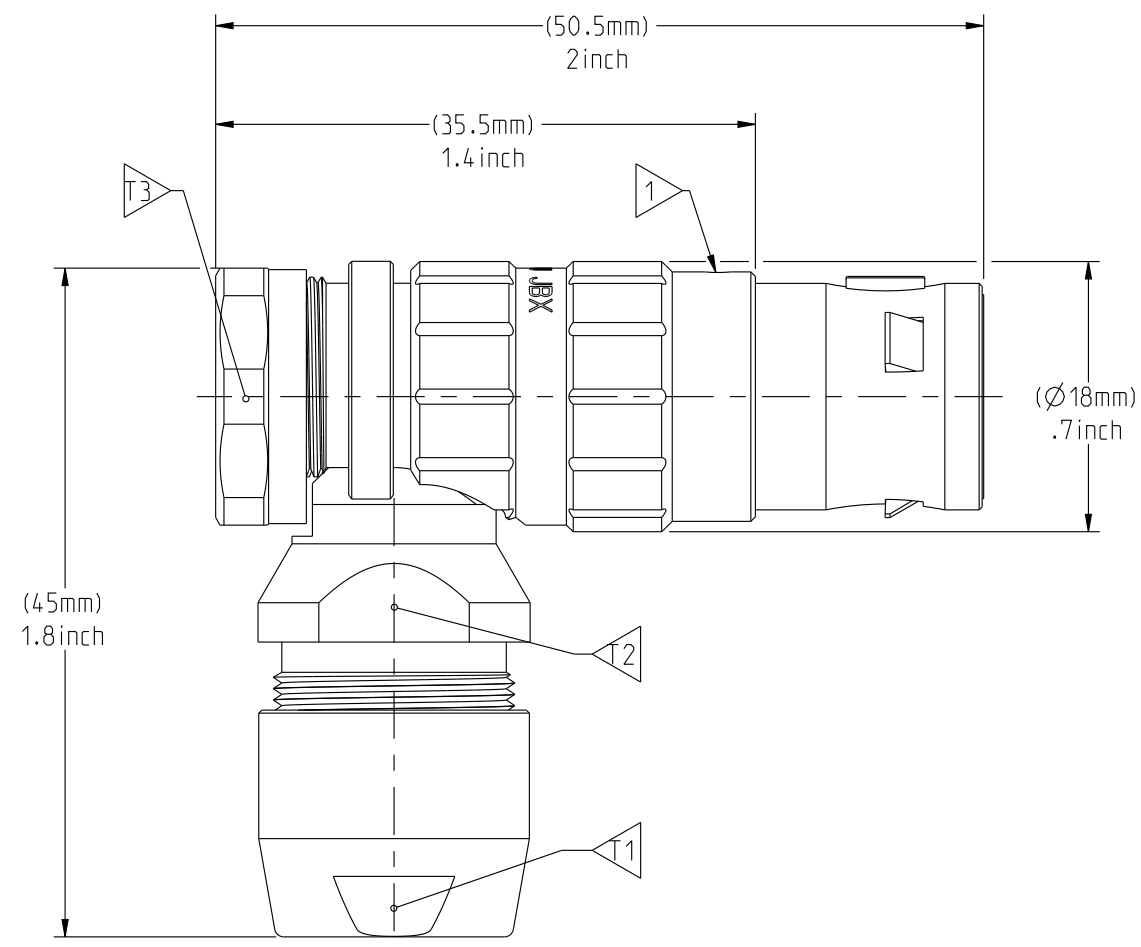
OUTER SHELL & BACKSHELL : CHROME
 BACK NUT & RETAINING NUT:

OTHER BRASS PARTS : NICKEL

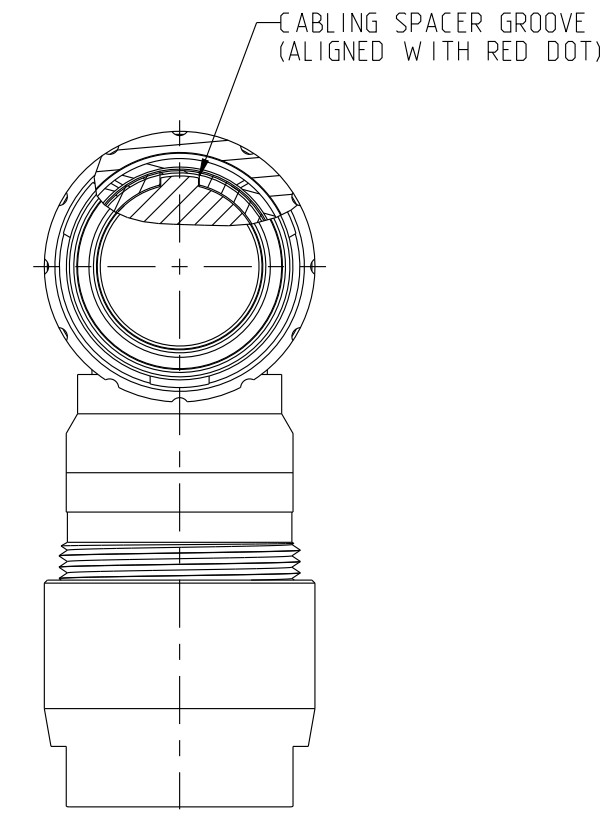
T ▷ TOOLS



WIRE SIDE VIEW

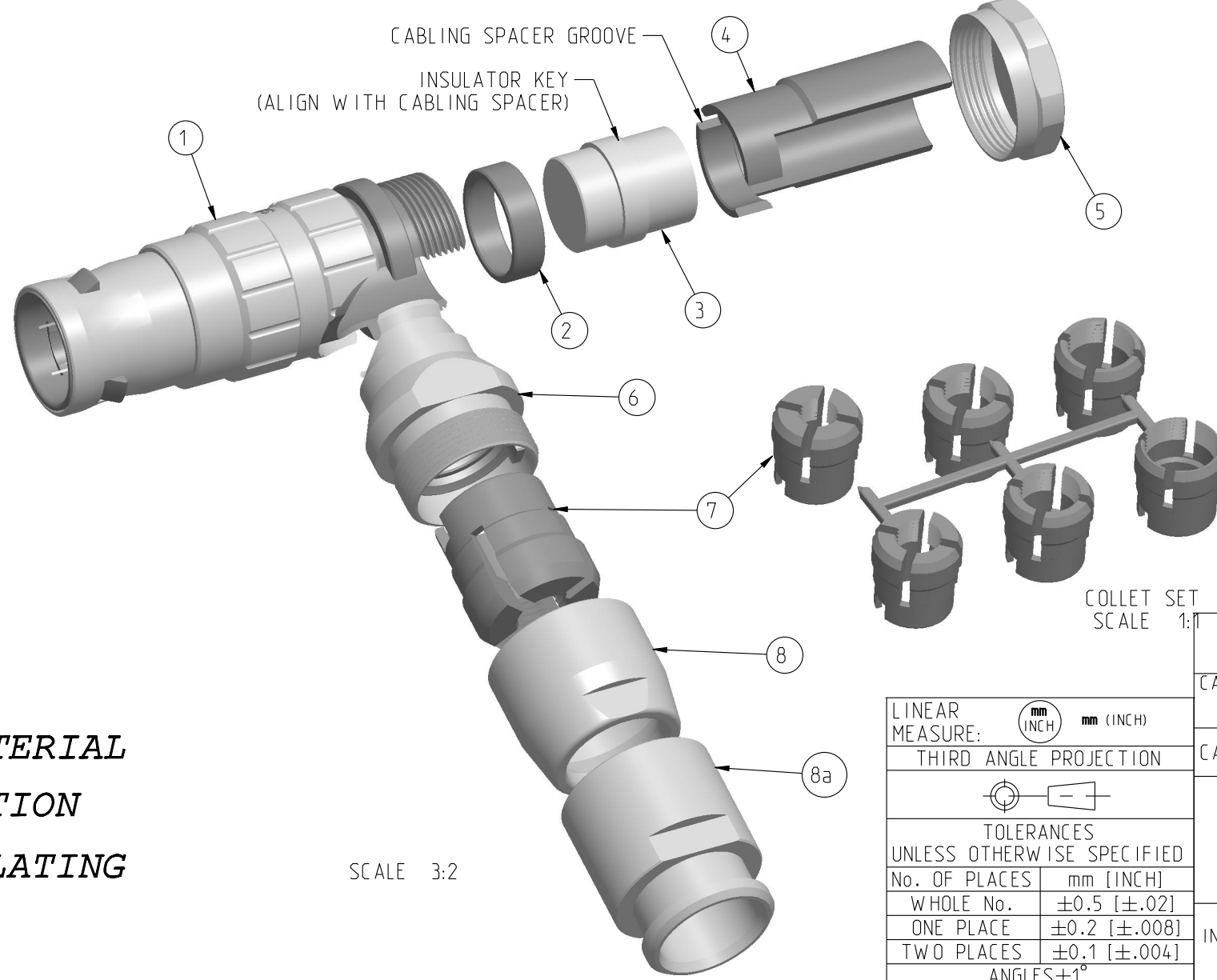


(ASSEMBLED VIEW FOR INFORMATION ONLY)



MATING SIDE VIEW

PART LIST	
ITEM NO.	DESCRIPTION
1	SLEEVE
2	RETAINING RING
3	INSULATOR
4	CABLING SPACER
5	RETAINING NUT
6	ELBOW BACKSHELL
7	Ø4.9-Ø12.0 CABLE COLLET (CHOOSE PER CABLE SIZE)
8	STANDARD BACK NUT
8a	BACK NUT FOR PROTECTIVE BOOT (OPTIONAL)



SCALE 3:2

	TOOLS (JAW DIMENSION)	ADVISED TORQUE IN Nm
T1	15	2
T2	15	-
T3	17	0.5 TO 0.7

ORIGIN	COUNTRY	JURISDICTION	CLASSIFICATION
X	FR	Not listed	N/A
	US	EAR	ECCN #EAR99

REV	DESCRIPTION	SKV 06-10-15 BY DATE	EV 06-10-15 CHKD DATE
A	RELEASED PER ECN 12258		

CATALOG NUMBER DESCRIPTION

JBX FC 3 XXXXXX D S X

BASIC SERIES _____

SHELL TYPE _____

SHELL SIZE _____

KEYING _____

SEE INSULATOR DRAWING _____

OPTION _____

INSERT MATERIAL _____

COLLET OPTION _____

SURFACE PLATING _____

LINEAR MEASURE:	mm (INCH)
THIRD ANGLE PROJECTION	
TOLERANCES UNLESS OTHERWISE SPECIFIED	
No. OF PLACES	mm [INCH]
WHOLE No.	±0.5 [±.02]
ONE PLACE	±0.2 [±.008]
TWO PLACES	±0.1 [±.004]
ANGLES ±1°	

DRAWING TITLE: **JBX, SIZE 3, RIGHT ANGLE PLUG**

CAT NO. **JBXFC3**

CAGE NO: 09922 SIZE: C

CUSTOMER

SOURIAU

www.souriau.com

1 OF 1

APPROVAL:

DRAWN: SKV	01-21-15
CHKD: EV	01-21-15
DSGN: EV	01-21-15
MFG: DH	01-21-15
QC: BB	01-21-15
DRAWING SCALE: 2:1	
DRAWING NO. JBXFC3C	REV A

4

3

2

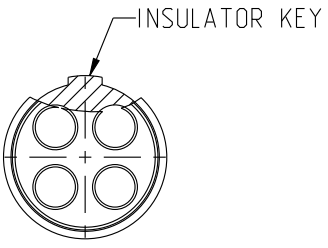
1

PRO-E

DWG. NO.
JBX3INSFCC

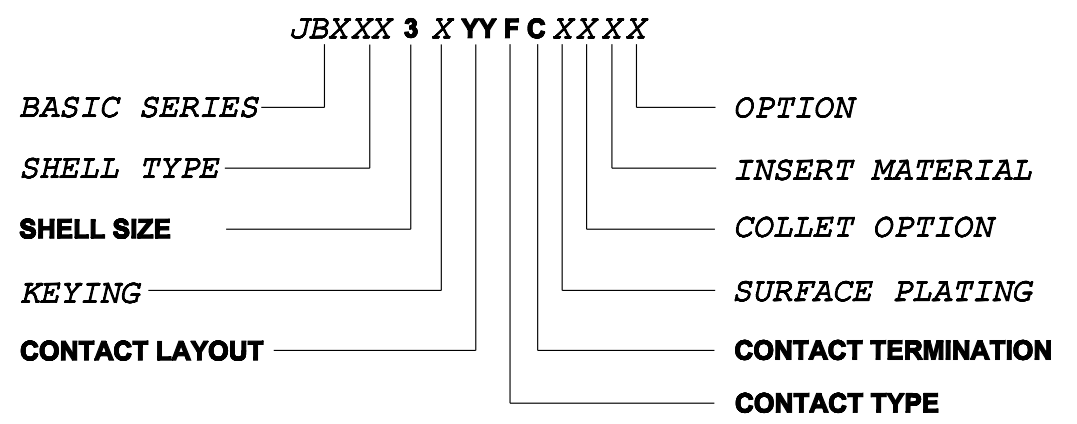
FEMALE INSULATOR, CRIMP CONTACT

CONTACT LAYOUT	03	04	07	08
FRONT SIDE VIEW				
REAR SIDE VIEW				
CONTACT				
ISO VIEW				
CONTACT	ØC	2	2	1.6
	ØF	2.4	2.4	1.9
	MAX. AWG	12	12	14
	MAX. CURRENT RATING (A)	30	30	17
INSULATOR	CONTACT RESISTANCE (mΩ)	2.5	2.5	2.5
	NUMBER OF CAVITY	3	4	7
	MAX. CURRENT RATING	25	25	15
	TEST VOLTAGE (Vrms)	3600	2500	2200
	WORKING VOLTAGE (Vdc/Vrms)	1600/1200	1100/830	1000/700
				830/560



CONTACT TYPE : F (FEMALE)
CONTACT TERMINATION : C (CRIMP)
MATERIAL :
 CONTACT: CUPRO-NICKEL
 CLIP: COPPER ALLOY
 INSULATOR: PEEK
FINISH :
 CONTACTS : GOLD

CATALOG NUMBER DESCRIPTION



B	REVISED PER ECN 12286	RSK 06-10-15	EV 06-10-15
A	RELEASED PER ECN 12264	TJS 03-10-15	EV 03-10-15
REV	DESCRIPTION	BY DATE	CHKD DATE

DRAWING TITLE
JBX, SIZE 3, FEMALE INSULATOR, CRIMP CONTACT

CAT NO. **JBX3INSFC**

CAGE NO: 09922 SIZE: B

CUSTOMER	SOURIAU	APPROVAL	DRAWN: TJS	02-04-15
			CHKD : EV	02-04-15
			DSGN : EV	02-04-15
			MFG : DH	02-04-15
			QC : BB	02-04-15
		DRAWING SCALE: NA		
		DRAWING NO. REV		
		JBX3INSFCC B		
		1 OF 2		

INTERPRET THIS DRAWING IN ACCORDANCE WITH ASME Y14.5M - 1994.

WWW.SOURIAU.COM

ORIGIN	COUNTRY	JURISDICTION	CLASSIFICATION
X	FR	Not listed	N/A
	US	EAR	ECCN =EAR99

These commodities, technology or software are exported from the United States in accordance with the Export Administration Regulations. Diversion contrary to U.S. law is prohibited.

LINEAR MEASURE: $\frac{mm}{INCH}$ mm (INCH)
 THIRD ANGLE PROJECTION

 TOLERANCES UNLESS OTHERWISE SPECIFIED
 No. OF PLACES mm [INCH]
 ONE PLACE $\pm 3 [\pm .1]$
 TWO PLACES $\pm 0.5 [\pm .02]$
 THREE PLACES $\pm 0.25 [\pm .010]$
 ANGLES $\pm 1^\circ$

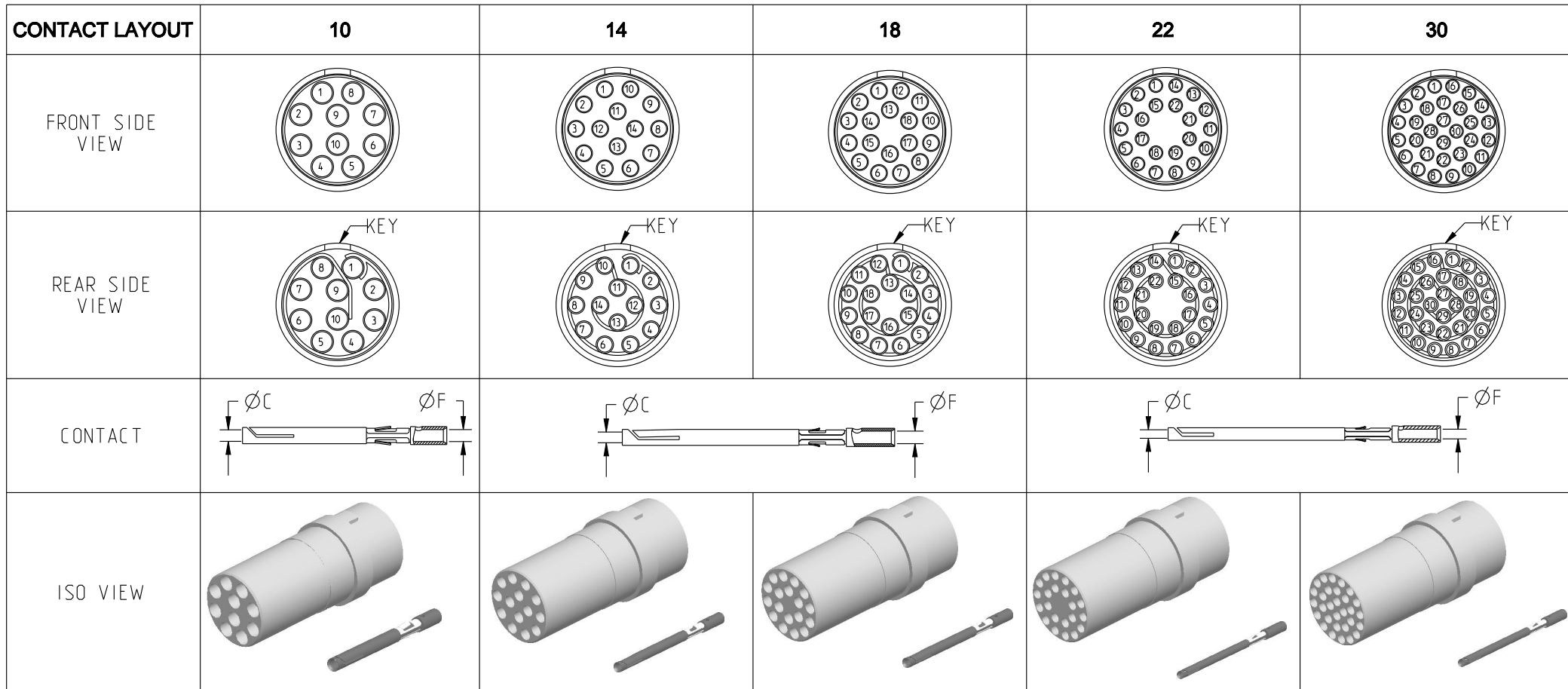
THIS DRAWING IS A CONTROLLED DOCUMENT FOR SOURIAU USA, INC. IT IS SUBJECT TO CHANGE WITHOUT NOTIFICATION. CONTACT THE DOCUMENT CONTROL CENTER FOR THE LATEST REVISION.

THE INFORMATION CONTAINED IN THIS DRAWING IS CONFIDENTIAL AND MAY NOT BE DISCLOSED WITHOUT WRITTEN CONSENT FROM SOURIAU USA, INC.

B

A

DWG. NO.
JBX3INSFCC



CONTACT	ØC	1.3	0.9	0.9	0.7	0.7
	ØF	1.4	1.1	1.1	0.85	0.85
	MAX. AWG	18	20	20	22	22
	MAX. CURRENT RATING (A)	15	10	10	7	7
INSULATOR	CONTACT RESISTANCE (mΩ)	3	3.5	3.5	5	5
	NUMBER OF CAVITY	10	14	18	22	30
	MAX. CURRENT RATING	12	9	7	5.5	3.5
	TEST VOLTAGE (Vrms)	1400	1700	1400	1200	800
	WORKING VOLTAGE (Vdc/Vrms)	600/420	830/560	660/460	560/400	400/260

THIS DRAWING IS A CONTROLLED DOCUMENT FOR SOURIAU USA, INC. IT IS SUBJECT TO CHANGE WITHOUT NOTIFICATION. CONTACT THE DOCUMENT CONTROL CENTER FOR THE LATEST REVISION.

THE INFORMATION CONTAINED IN THIS DRAWING IS CONFIDENTIAL AND MAY NOT BE DISCLOSED WITHOUT WRITTEN CONSENT FROM SOURIAU USA, INC.

B

A

DRAWING TITLE
JBX, SIZE 3, FEMALE INSULATOR, CRIMP CONTACT
CAT NO.

JBX3INSFC

CAGE NO: 09922 SIZE: B

CUSTOMER

SOURIAU

WWW.SOURIAU.COM

INTERPRET THIS DRAWING IN ACCORDANCE WITH ASME Y14.5M - 1994.

APPROVAL	DRAWN:	TJS	02-04-15
	CHKD :	EV	02-04-15
	DSGN :	EV	02-04-15
	MFG :	DH	02-04-15
	QC :	BB	02-04-15
	DRAWING SCALE: NA		
	DRAWING NO.	JBX3INSFCC	REV
			B
	2 OF 2		

ORIGIN	COUNTRY	JURISDICTION	CLASSIFICATION
X	FR	Not listed	N/A
	US	EAR	ECCN =EAR99

These commodities, technology or software are exported from the United States in accordance with the Export Administration Regulations. Diversion contrary to U.S. law is prohibited.

LINEAR MEASURE: $\frac{mm}{INCH}$ mm (INCH)

THIRD ANGLE PROJECTION

TOLERANCES UNLESS OTHERWISE SPECIFIED

No. OF PLACES	mm [INCH]
ONE PLACE	±3 [±.1]
TWO PLACES	±0.5 [±.02]
THREE PLACES	±0.25 [±.010]

ANGLES ±1°