

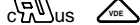
SIGN	DATE	DESCRIPTION	APPROVER
△	8/07'06	Added VDE standard	梁仁松
△	2010.11.26	The tolerance is changed	Jacke

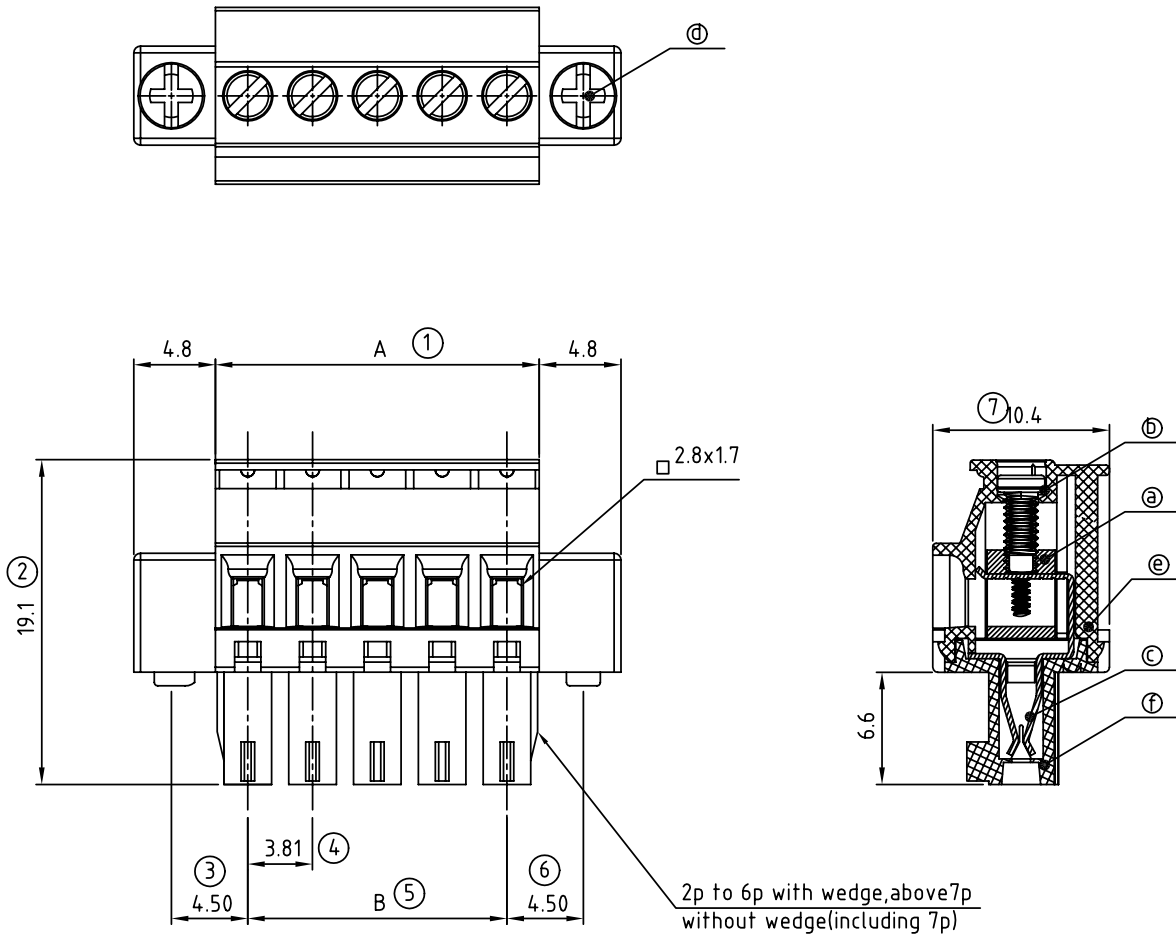
*THIS IS CAD DRAWING, DO NOT REVISE MANUALLY!!!*

**Material**

- Item a Clamp: Brass(CuZn) Ni plated
- Item b Terminal screw: Steel Zinc plating "-" slot type
- Item c Female contact: PhBz Tin plated
- Item d With flange screw: Steel Zinc plating M2.5 "+/-" slot type
- Item e Terminal(housing): Thermoplastic (UL94V-0)
- Item f Terminal(cover) :Thermoplastic (UL94V-0)

△ Electrical cULus/VDE

- Voltage rating: 300VAC/300VAC
- Current rating: 8A/10A
- Wire range: 1.5mm<sup>2</sup>
- Solid wire(AWG): 16-28
- Stranded wire(AWG): 16-28
- Torque: 1.7Lb-In./0.2Nm
- Screw: M2
- Wire strip length: 6-7mm
- Withstanding Voltage: 1.6KV/2.5KV
- Operating temperature: -40°C to +115°C
- Safety approval: 



**TS xx 3 1 x C xxxx G**

No. OF POLES ← 02: 2 POLES  
: 24: 24 POLES

Color → 0000 Standard @ Logo  
000A Standard ANY Logo  
Any special item by customer request, please contact sales department.

0 Black (RAL9005)  
2 Red (RAL3001/D)  
3 Orange(RAL2011/P)  
4 Yellow(RAL1018/A)  
5 Green(RAL6018/T)  
6 Blue (RAL5015/A)  
8 Grey(RAL7035/D)

RoHS pb<40, 000ppm

△

Poles	Tolerance
2p-6p	±0.15
7p-12p	±0.20
13p-16p	±0.25
17p-24p	±0.30

DIMENSION  
N = Number of contacts

A	NX3.81
B	(N-1)X3.81

<b>ANYTEK</b>				<b>CUSTOMER COPY</b>			
ALL RIGHTS RESERVED. REPRODUCTION OR ISSUE TO THIRD PARTIES IN ANY FORM WHATSOEVER IS NOT PERMITTED WITHOUT WRITTEN AUTHORITY FROM THE PROPRIETOR. PROPERTY OF ANYTEK TECHNOLOGY CO., LTD							
TITLE		TS-3.81mm Series With flange (W/latching hooks on the wire entry side)					
PART NO.		TSxx31xCxxxxG		DWG NO.		8TS0303	
APPROVED		CHECKED	DESIGNED	DRAWN	CUST NO.		Tolerance
		Jacke 2010.11.29	Jacke 2009.12.23				X. ±0.50 X.X ±0.30 X.XX ±0.10 X° ±1°
				SHEET: 01/01		UNIT: mm SCALE: NONE REV.: G	