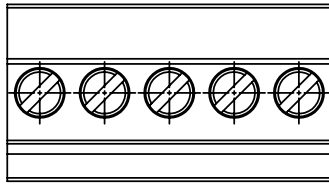


| SIGN | DATE       | DESCRIPTION              | APPROVER |
|------|------------|--------------------------|----------|
| △    | 8/07'06    | Added VDE standard       | 梁仁松      |
| △    | 2010.11.29 | The tolerance is changed | Jacke    |

*THIS IS CAD DRAWING, DO NOT REVISE MANUALLY!!!*

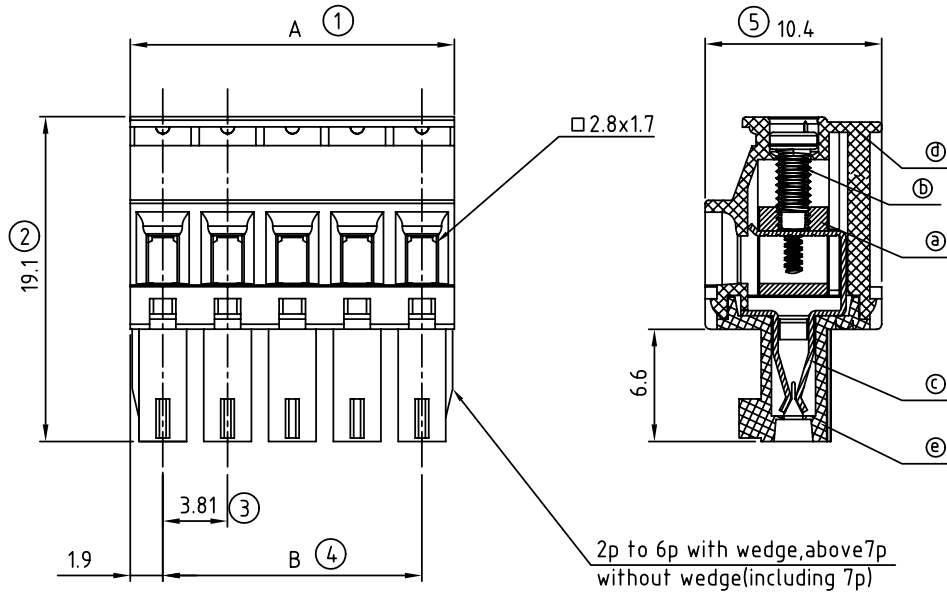


### Material

- Item ① Clamp: Brass(CuZn), Nickel plated
- Item ② Terminal screw: Steel Zinc plating "-" slot type
- Item ③ Female contact: PhBz, Tin plated
- Item ④ Terminal (housing): Thermoplastic (UL94V-0)
- Item ⑤ Terminal (cover): Thermoplastic (UL94V-0)

### △ Electrical cULus/VDE

- Voltage rating: 300VAC/300VAC
- Current rating: 8A/10A
- Wire range: 1.5mm<sup>2</sup>
- Solid wire(AWG): 16-28
- Stranded wire(AWG): 16-28
- Torque: 1.7Lb-In./0.2Nm
- Screw: M2
- Wire strip length: 6-7mm
- Withstanding Voltage: 1.6KV/2.5KV
- Operating temperature: -40°C to +115°C
- Safety approval: us



**TS xx 3 1 x A xxxx G**

No. OF POLES ← TS → RoHS pb<40, 000ppm

02: 2 POLES  
:  
:  
24: 24 POLES

Color → 0000 Standard @ Logo  
000A Standard ANY Logo  
Any special item by customer request, please contact sales department.

0 Black (RAL9005)  
2 Red (RAL3001/D)  
3 Orange (RAL2011/P)  
4 Yellow (RAL1018/A)  
5 Green (RAL6018/T)  
6 Blue (RAL5015/A)  
8 Grey (RAL7035/D)

DIMENSION  
N = Number of contacts

|   |            |
|---|------------|
| A | NX3.81     |
| B | (N-1)X3.81 |

| Poles   | Tolerance |
|---------|-----------|
| 2p-6p   | ±0.15     |
| 7p-12p  | ±0.20     |
| 13p-16p | ±0.25     |
| 17p-24p | ±0.30     |

# ANYTEK

## CUSTOMER COPY

ALL RIGHTS RESERVED. REPRODUCTION OR ISSUE TO THIRD PARTIES IN ANY FORM WHATSOEVER IS NOT PERMITTED WITHOUT WRITTEN AUTHORITY FROM THE PROPRIETOR. PROPERTY OF ANYTEK TECHNOLOGY CO., LTD

|          |         |   |            |              |         |             |         |
|----------|---------|---|------------|--------------|---------|-------------|---------|
| TITLE    |         | TS-3.81mm Series Without flange (W/latching hooks on the wire entry side) |            |              |         |             |         |
| PART NO. |         | TSxx31xAxxxxG   |            |              | DWG NO. |             | 8TS0301 |
| APPROVED | CHECKED | DESIGNED  | DRAWN      | CUST NO.     |         | Tolerance   |         |
|          |         | Jacke   | Marvin     |              |         | X. ±0.50    |         |
|          |         | 2010.11.29  | 2006.08.07 |              |         | X.X ±0.30   |         |
|          |         |   |            | SHEET: 01/01 |         | UNIT: mm    |         |
|          |         |   |            |              |         | SCALE: NONE |         |
|          |         |   |            |              |         | X.XX ±0.10  |         |
|          |         |   |            |              |         | X° ±1°      |         |
|          |         |   |            |              |         | REV.: F     |         |