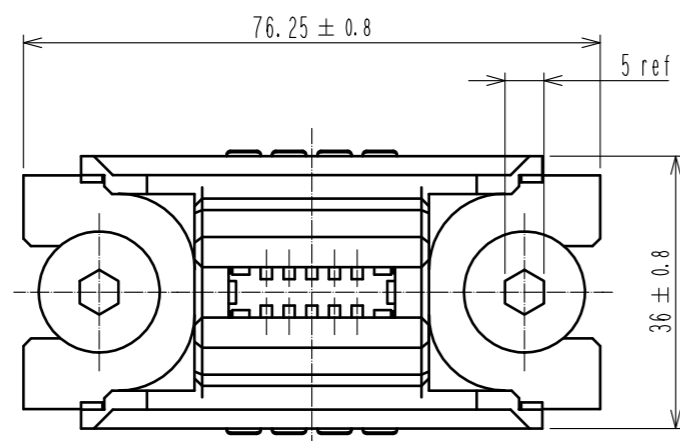
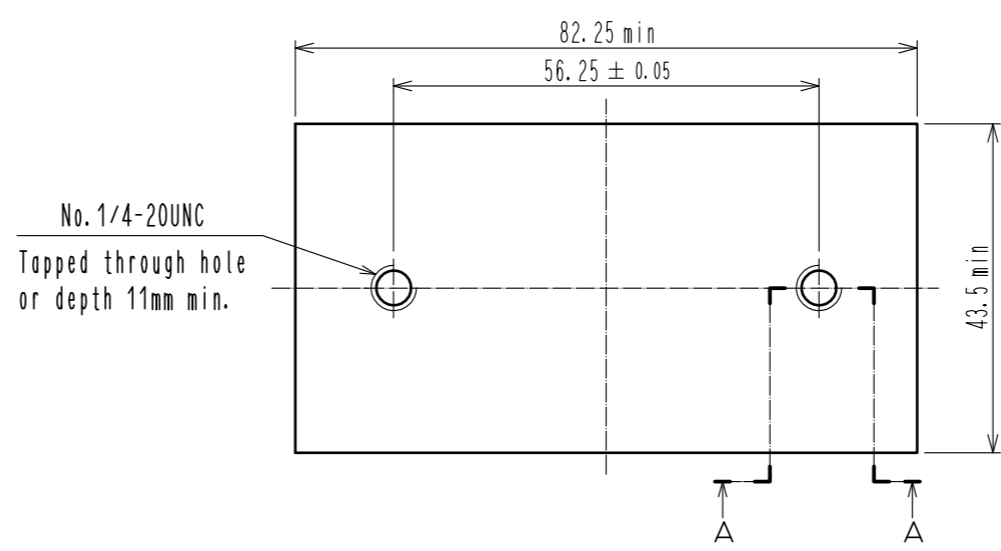


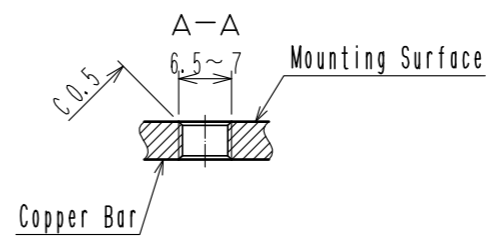
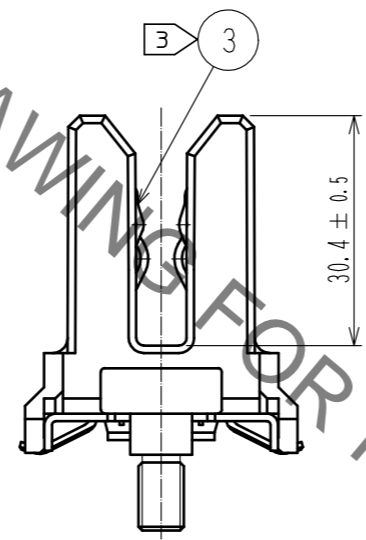
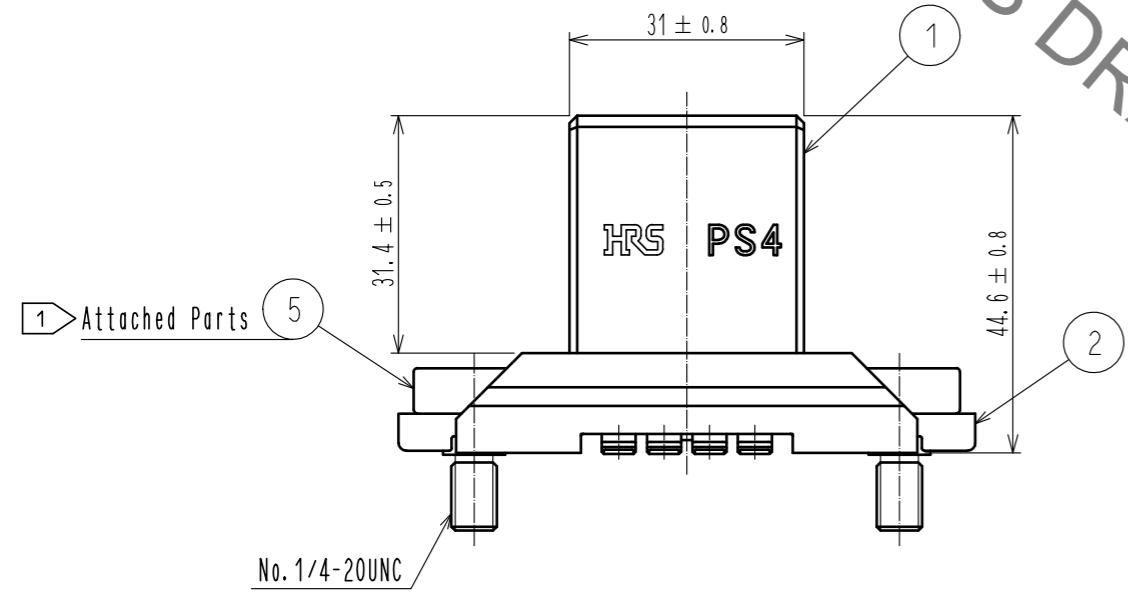
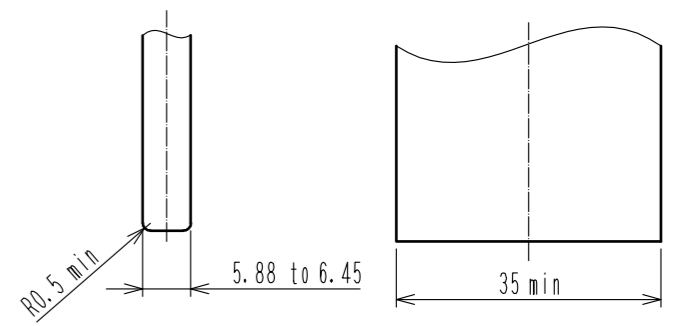
Jan.1.2022 Copyright 2022 HIROSE ELECTRIC CO., LTD. All Rights Reserved.  
In case of consideration for using Automotive equipment / device which demand high reliability, kindly contact our sales window correspondents.



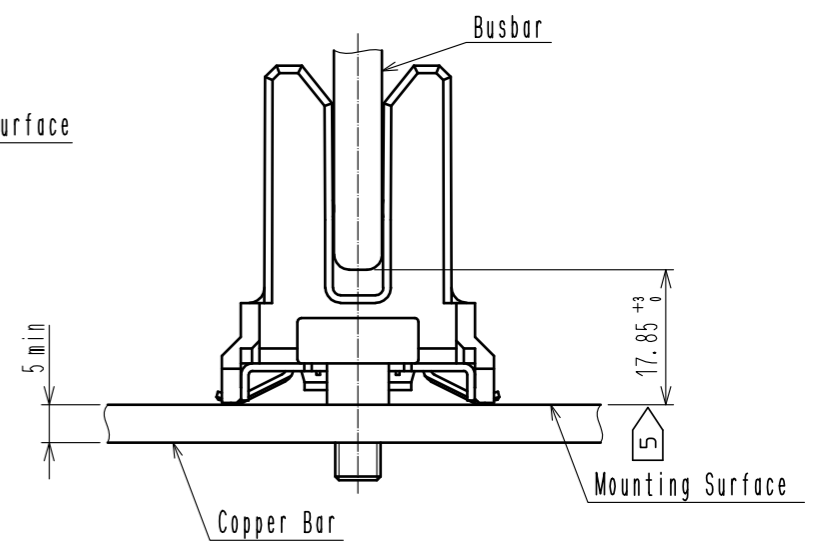
Copper bar Dimensions  
(connector mounting bar)



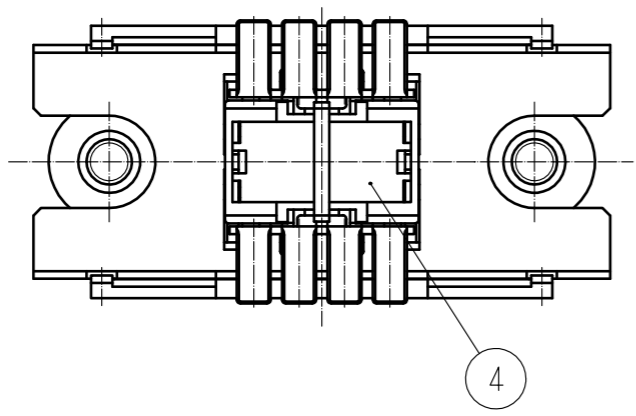
Busbar Dimensions  
(mating busbar)



View Of Mounting State



- Notes
- ① The recommended tightening torque for the Ref No.5 is 5 N·m.
  - ② This product has floating range of ±2mm from the center of the connector.
  - ③ There are some cases that plating color of Ref No.3 may change from silver to blackish brown due to chemical reaction by sulfure in the atmosphere.
  - ④ Busbar and copper bar shall be either silver plating.
  - ⑤ The recommended distance between installation site and tip of busbar shall be 17.85<sup>+3</sup>mm.



2	Stainless Steel		5	Steel	Nickel Plating : 2μm min
1	PBT	Black. UL94V-0	4	PBT	Black. UL94V-0
			3	Copper Alloy	Silver Plating : 2μm min
NO.	MATERIAL	FINISH . REMARKS	NO.	MATERIAL	FINISH . REMARKS
UNITS	mm	SCALE	1 : 1	COUNT	1
		DESCRIPTION OF REVISIONS	DESIGNED	CHECKED	DATE
		DIS-E-00000752	MO. SHIMOYAMA	NM. NISHIMATSU	16.11.15
APPROVED : RI. TAKAYASU		15.12.16	DRAWING NO. EDC-128870-00-00		
CHECKED : NM. NISHIMATSU		15.12.15	PART NO. PS4A-6.35T		
DESIGNED : MO. SHIMOYAMA		15.12.15	CODE NO. CL236-1018-0-00		
DRAWN : MO. SHIMOYAMA		15.12.15	② 1/1		