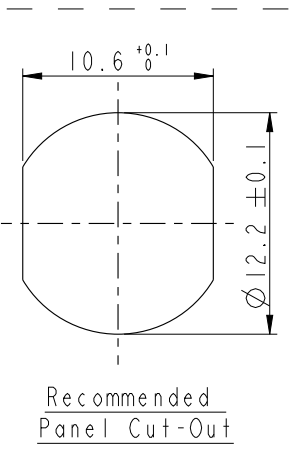
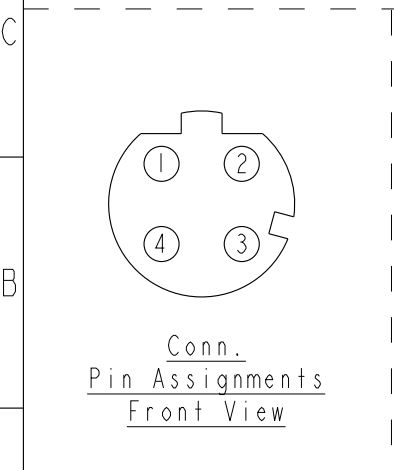
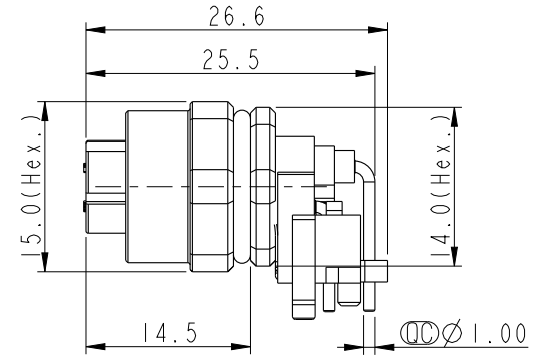
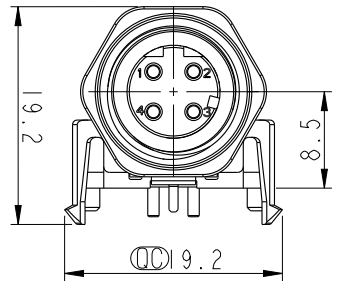
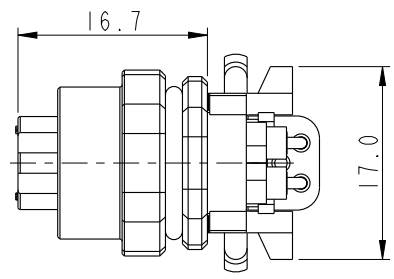
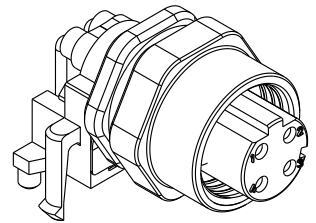
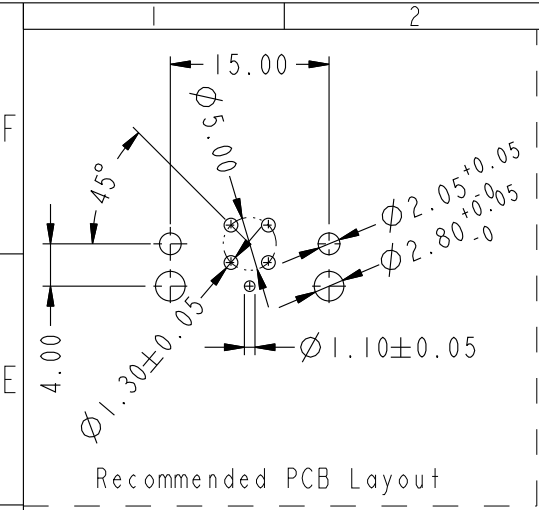
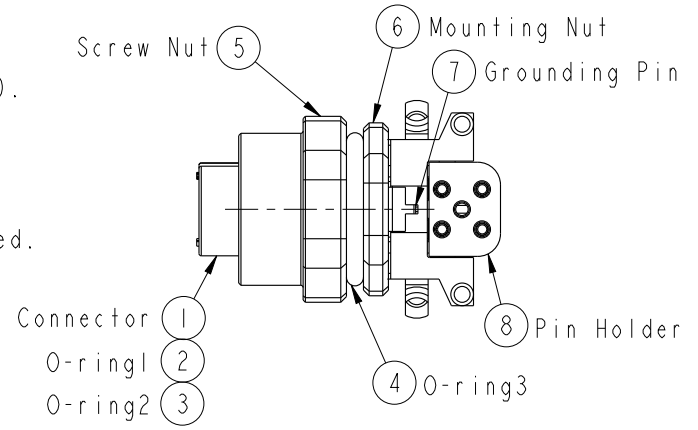


THIS DOCUMENT IS SUBJECT TO CHANGE WITHOUT NOTICE. IT IS CONFIDENTIAL AND A PROPERTY OF Amphenol LTW. DISCLOSURE TO THIRD PARTY HAS TO BE AUTHORIZED BY Amphenol LTW.

|      |         |            |        |             |
|------|---------|------------|--------|-------------|
| REV. | ECN NO. | DATE       | SIGN   | DESCRIPTION |
| B    | C200275 | 2020-03-13 | Nan_Su | △B*1        |
|      |         |            |        |             |



- Note:
- \*  $\varnothing$  Important Dimension To Check.
  - \* Waterproof Rating: IP67(Mated Waterproof).
  - \* Connector: PBT+PC, Black.
  - \* Female Pin: Copper Alloy, Gold Plated.
  - \* Mounting Nut: Zinc Alloy, Nickel Plated.
  - \* Screw Nut: Zinc Alloy, Nickel Plated.
  - \* Grounding Pin: Copper Alloy, Nickel Plated.
  - \* O-ring1: Silicon, Black.
  - \* O-ring2: Silicon, Gray.
  - \* O-ring3: Silicon, Gray.
  - \* Pin Holder: PBT+PC, Black.
  - \* For Panel Thickness Max. 3.0mm.
  - \* For PCB Thickness Max. 1.6mm.



|           |            |  |
|-----------|------------|--|
| UNIT:mm   |            |  |
| TOLERANCE | .X ±0.25   |  |
|           | .XX ±0.1   |  |
|           | .XXX ±0.05 |  |
| ANGLES    | ±1°        |  |

|   |             |                                 |  |
|---|-------------|---------------------------------|--|
| TITLE M12,90° Panel,w/ Grounding Pin<br>4PIN F CONN F PIN |             |                                 |  |
| SCALE 3:2   | SIZE A4     | SHEET 1 OF 1                    |  |
| REV. B  | WC-REV. A.2 | $\varnothing$ : Inspection item |  |

**Amphenol LTW**  
安費諾亮泰企業股份有限公司

|                               |                         |                    |
|-------------------------------|-------------------------|--------------------|
| ITEM NO<br>MSDS-04PFFR-SF7003 | DRAWN BY<br>Yulong_wang | DATE<br>2016-12-11 |
| DWG NO<br>MSDS-04PFFR-SF7003  | CHECKED BY<br>Jinhai    | DATE<br>2016-12-11 |
| CUSTOMER<br>ALTW              | APPROVED BY<br>Jerry    | DATE<br>2016-12-11 |