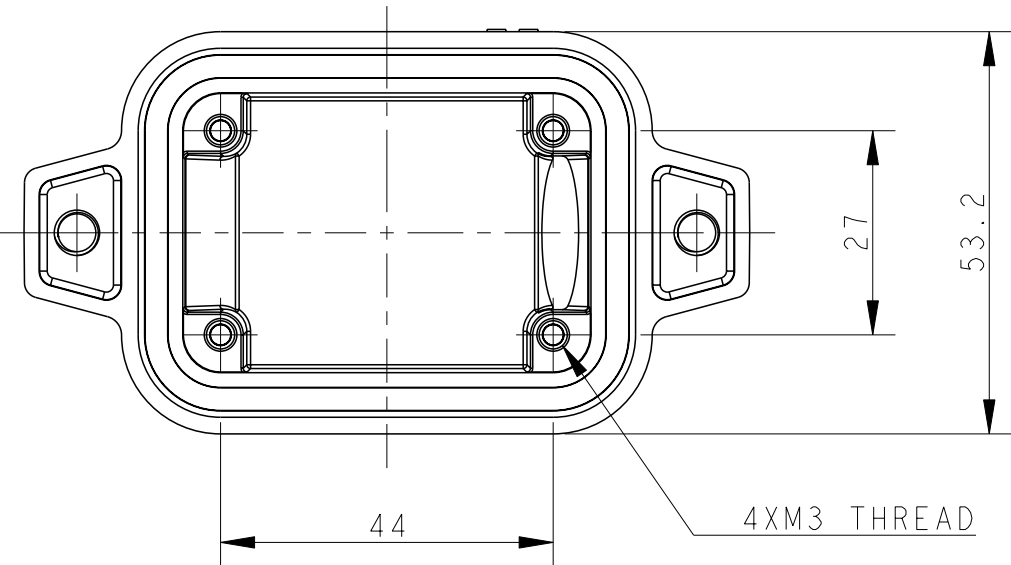
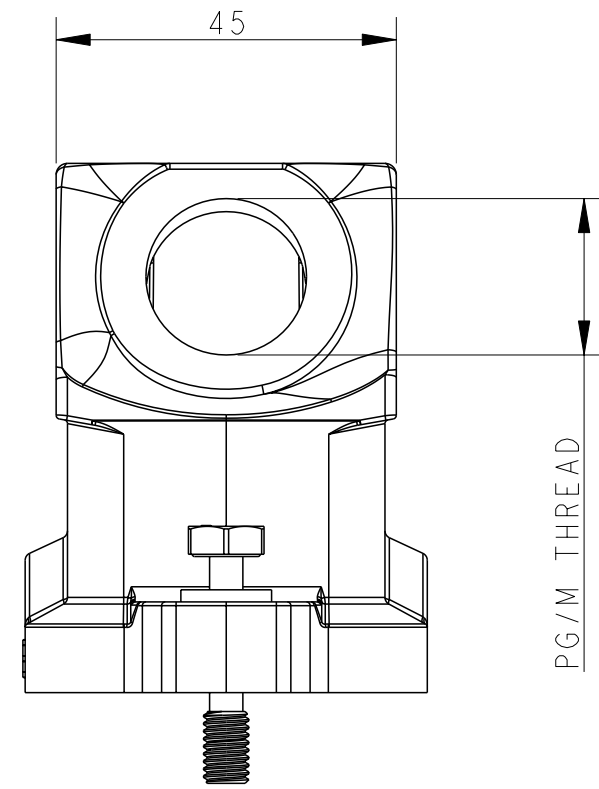
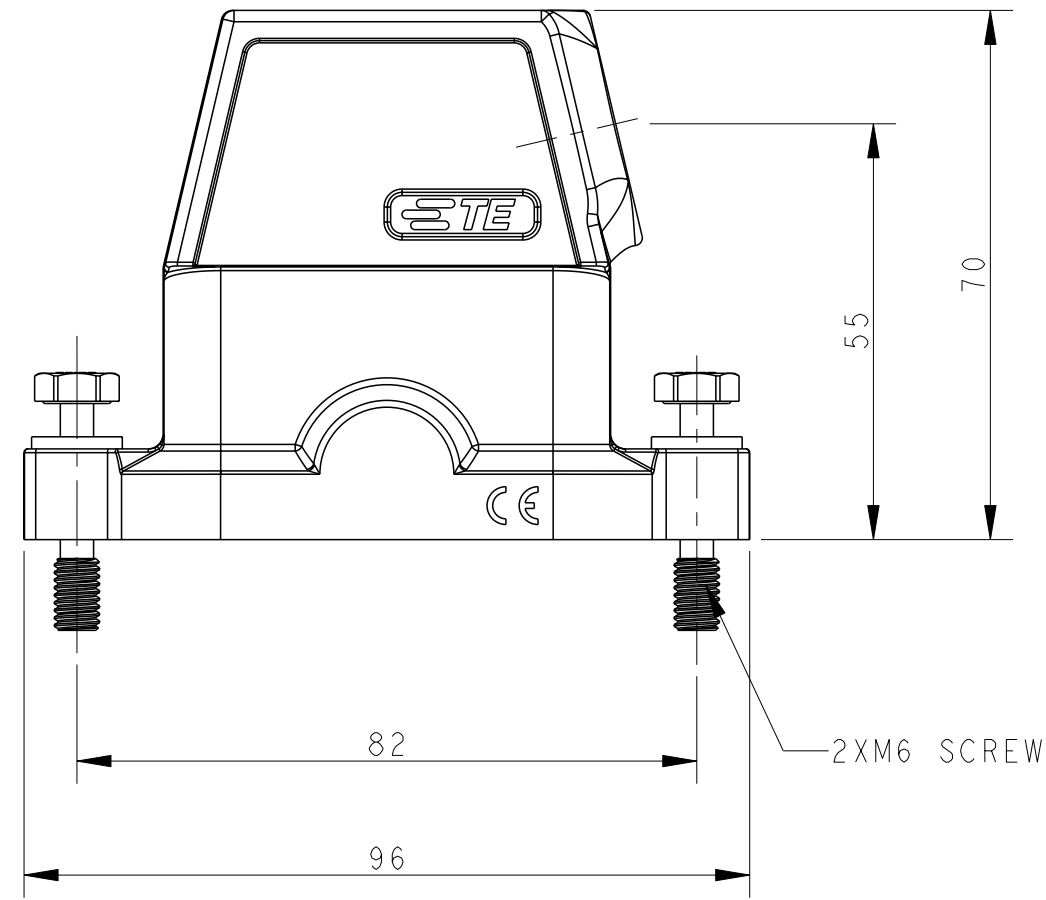


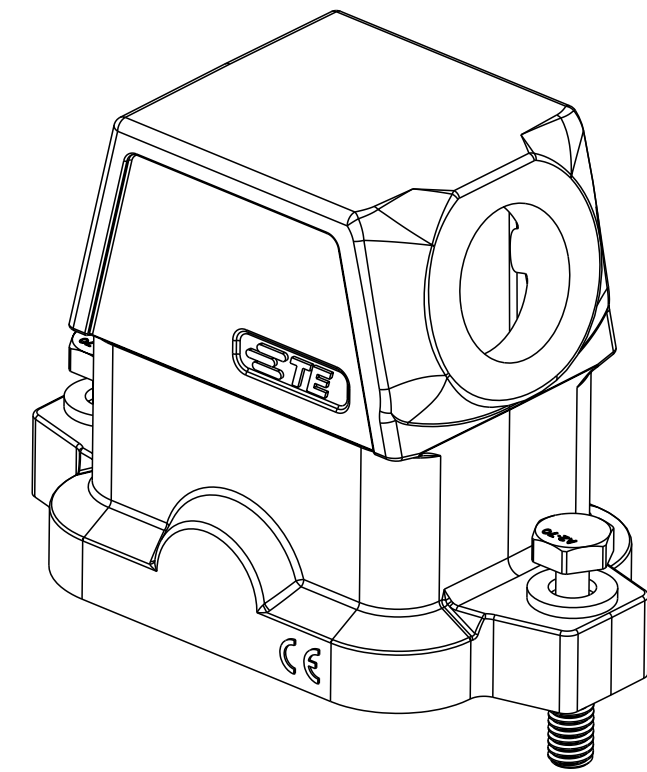
THIS DRAWING IS UNPUBLISHED. RELEASED FOR PUBLICATION 20
 © COPYRIGHT 20 BY - ALL RIGHTS RESERVED.

REVISIONS					
P	LTR	DESCRIPTION	DATE	DWN	APVD
A		INITIAL RELEASE	21MAY2015	GY	CW
A1		ECR-18-009564	14SEP2018	CD	CW
B		ECR-20-011774	30APR2021	BS	CW



NOTES:
 1. TECHNICAL CHARACTERISTICS:
 HOOD MATERIAL: DIE CAST ALUMINIUM ALLOY
 SURFACE TREATMENT: SEE TABLE
 DEGREE OF PROTECTION: IP68 (MATED)

注释:
 1. 技术参数:
 壳体材料: 铝合金
 表面处理: 见表格
 防护等级: IP68 (配合)



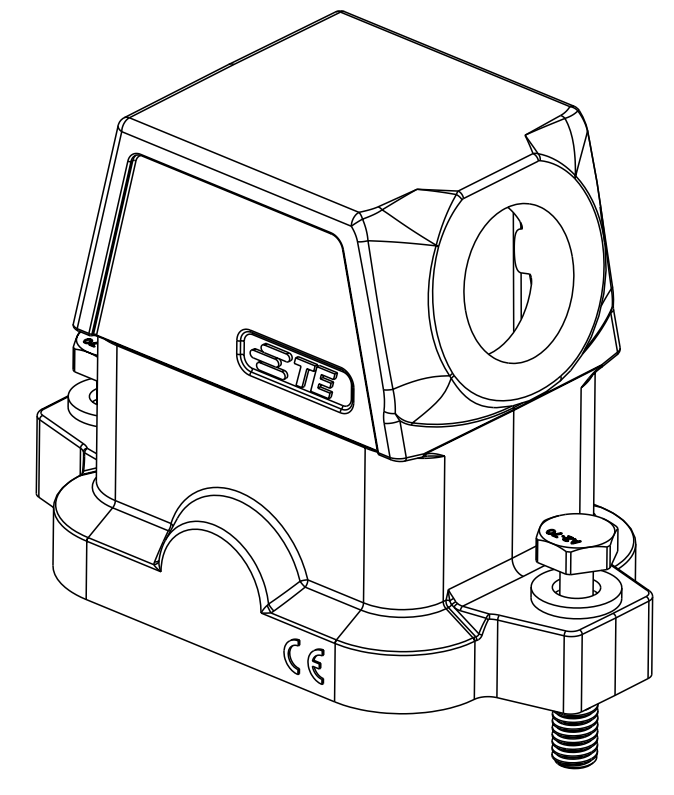
THIS DRAWING IS A CONTROLLED DOCUMENT.		DWN Gino Yao 21MAY2015	STE TE Connectivity			
DIMENSIONS: mm		CHK Chris Wang 21MAY2015				
TOLERANCES UNLESS OTHERWISE SPECIFIED:		APVD Xiang Xu 21MAY2015	NAME H6BPR-TSHC-PG/M			
0 PLC ± 1 PLC ± 2 PLC ± 3 PLC ± 4 PLC ± ANGLES ± FINISH -		PRODUCT SPEC 108-137014 APPLICATION SPEC 114-137014	SIZE A2	CAGE CODE -	DRAWING NO G-T191206XXXXX00	RESTRICTED TO -
MATERIAL -		WEIGHT -	SCALE 1:1		SHEET 1 OF 2	REV B
		Customer Drawing				

Printed on 30 Apr 2021 15:24 (China Standard Time) from IE236667

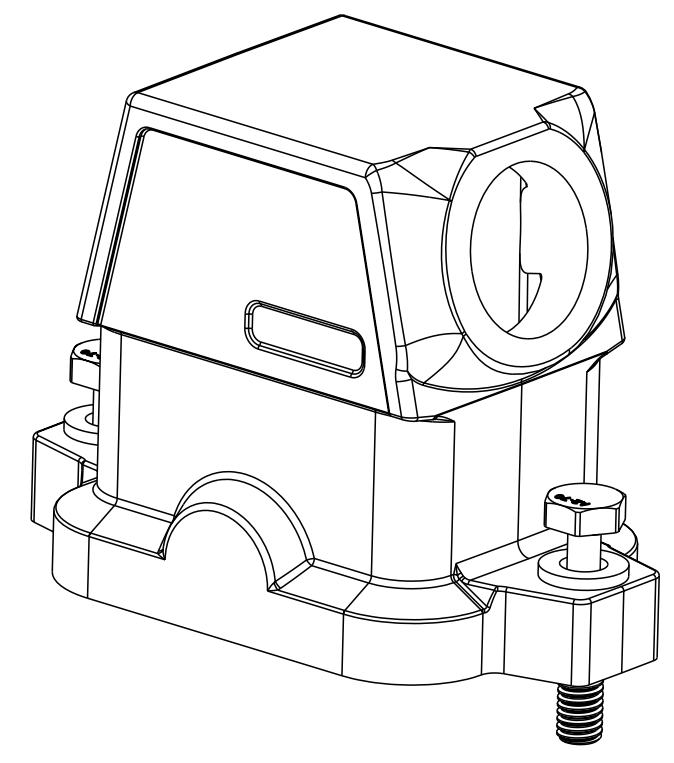
THIS DRAWING IS UNPUBLISHED. RELEASED FOR PUBLICATION 20
 © COPYRIGHT 20 BY - ALL RIGHTS RESERVED.

REVISIONS				
P	LTR	DESCRIPTION	DATE	APVD
-		SEE SHEET 1	-	-

TYPE 1
类型 I



TYPE 2: NO LOGO
类型: 无LOGO



THIS TYPE IS SAME AS TYPE 1, ONLY NO LOGO
此类型同类型 I, 只是无LOGO

PART NUMBER 料号	SURFACE TREATMEN 表面处理		PART DESCRIPTION 描述	PG/M THREAD PG/M 螺纹	TYPE 类型
T1912062125-001	POWDER COATED, DEEP GRAY 表面喷涂, 深灰色	H6BPR-TSHC-M25	H6BPR HOOD, CENTER LOCKING, SIDE ENTRY M25, POWDER COATED, DEEP GREY, NO LOGO H6BPR上壳, 中部锁定, 侧出M25, 深灰色粉末喷涂, 无LOGO	M25	TYPE 2 类型2
T1912062125-000	POWDER COATED, GRAY 表面喷涂, 灰色	H6BPR-TSHC-M25	H6BPR HOOD, CENTER LOCKING, SIDE ENTRY M25, POWDER COATED, GREY H6BPR上壳, 中部锁定, 侧出M25, 灰色粉末喷涂	M25	TYPE 1 类型 I
T1912062121-000	POWDER COATED, GRAY 表面喷涂, 灰色	H6BPR-TSHC-PG21	H6BPR HOOD, CENTER LOCKING, SIDE ENTRY PG21, POWDER COATED, GREY H6BPR上壳, 中部锁定, 侧出PG21, 灰色粉末喷涂	PG21	
T1912062120-000	POWDER COATED, GRAY 表面喷涂, 灰色	H6BPR-TSHC-M20	H6BPR HOOD, CENTER LOCKING, SIDE ENTRY M20, POWDER COATED, GREY H6BPR上壳, 中部锁定, 侧出M20, 灰色粉末喷涂	M20	
T1912062116-000	POWDER COATED, GRAY 表面喷涂, 灰色	H6BPR-TSHC-PG16	H6BPR HOOD, CENTER LOCKING, SIDE ENTRY PG16, POWDER COATED, GREY H6BPR上壳, 中部锁定, 侧出PG16, 灰色粉末喷涂	PG16	
T1912061125-000	POWDER COATED, SILVER WHITE 表面喷涂, 银白色	H6BPR-TSHC-M25	H6BPR HOOD, CENTER LOCKING, SIDE ENTRY M25, POWDER COATED, SILVER WHITE H6BPR上壳, 中部锁定, 侧出M25, 银白色粉末喷涂	M25	
T1912061121-000	POWDER COATED, SILVER WHITE 表面喷涂, 银白色	H6BPR-TSHC-PG21	H6BPR HOOD, CENTER LOCKING, SIDE ENTRY PG21, POWDER COATED, SILVER WHITE H6BPR上壳, 中部锁定, 侧出PG21, 银白色粉末喷涂	PG21	
T1912061120-000	POWDER COATED, SILVER WHITE 表面喷涂, 银白色	H6BPR-TSHC-PG21	H6BPR HOOD, CENTER LOCKING, SIDE ENTRY M20, POWDER COATED, SILVER WHITE H6BPR上壳, 中部锁定, 侧出M20, 银白色粉末喷涂	M20	
T1912061116-000	POWDER COATED, SILVER WHITE 表面喷涂, 银白色	H6BPR-TSHC-PG16	H6BPR HOOD, CENTER LOCKING, SIDE ENTRY PG16, POWDER COATED, SILVER WHITE H6BPR上壳, 中部锁定, 侧出PG16, 银白色粉末喷涂	PG16	
T1912060125-000	POWDER COATED, BLACK 表面喷涂, 黑色	H6BPR-TSHC-M25	H6BPR HOOD, CENTER LOCKING, SIDE ENTRY M25, POWDER COATED, BLACK H6BPR上壳, 中部锁定, 侧出M25, 黑色粉末喷涂	M25	
T1912060121-000	POWDER COATED, BLACK 表面喷涂, 黑色	H6BPR-TSHC-PG21	H6BPR HOOD, CENTER LOCKING, SIDE ENTRY PG21, POWDER COATED, BLACK H6BPR上壳, 中部锁定, 侧出PG21, 黑色粉末喷涂	PG21	
T1912060120-000	POWDER COATED, BLACK 表面喷涂, 黑色	H6BPR-TSHC-M20	H6BPR HOOD, CENTER LOCKING, SIDE ENTRY M20, POWDER COATED, BLACK H6BPR上壳, 中部锁定, 侧出M20, 黑色粉末喷涂	M20	
T1912060116-000	POWDER COATED, BLACK 表面喷涂, 黑色	H6BPR-TSHC-PG16	H6BPR HOOD, CENTER LOCKING, SIDE ENTRY PG16, POWDER COATED, BLACK H6BPR上壳, 中部锁定, 侧出PG16, 黑色粉末喷涂	PG16	

Printed on 30 Apr 2021 15:24 (China Standard Time) from IE236667

THIS DRAWING IS A CONTROLLED DOCUMENT.		DWN Gino Yao 21MAY2015	TE Connectivity	
		CHK Chris Wang 21MAY2015		
DIMENSIONS: mm		APVD Xiang Xu 21MAY2015	NAME H6BPR-TSHC-PG/M	
TOLERANCES UNLESS OTHERWISE SPECIFIED: 0 PLC ± 1 PLC ± 2 PLC ± 3 PLC ± 4 PLC ± ANGLES ± FINISH		PRODUCT SPEC 108-137014	RESTRICTED TO	
MATERIAL		APPLICATION SPEC 114-137014	SIZE A2	CAGE CODE
		WEIGHT	DRAWING NO G-T191206XXXXX00	
		Customer Drawing		SCALE 1:1 SHEET 2 OF 2 REV B