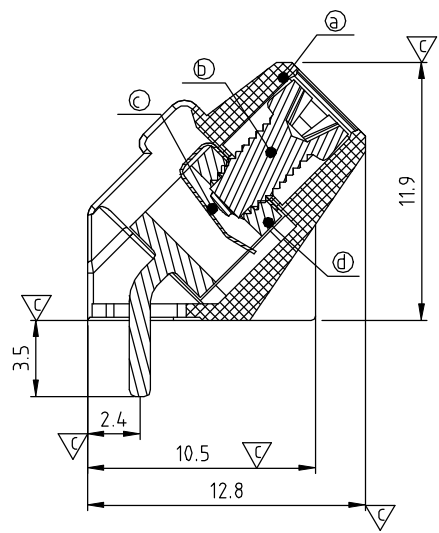
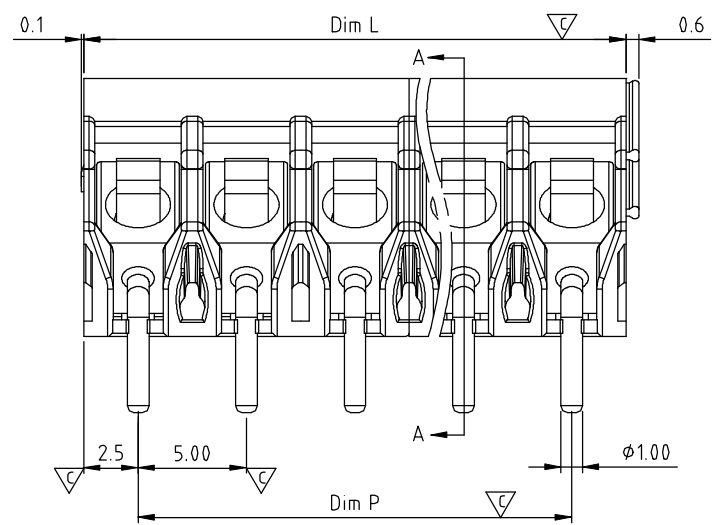
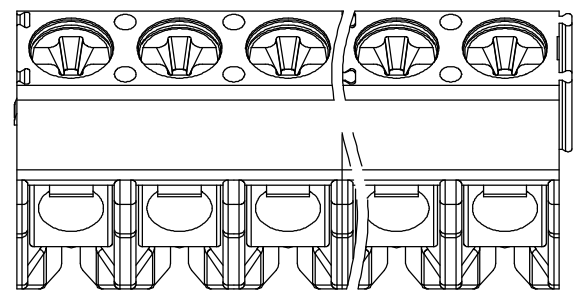


| | | | |
|--|----------|--------------------|----------|
| SIGN | DATE | DESCRIPTION | APPROVER |
| △ | 07/09'13 | update the drawing | Guoxue |
| THIS IS CAD DRAWING, DO NOT REVISE MANUALLY!!! | | | |



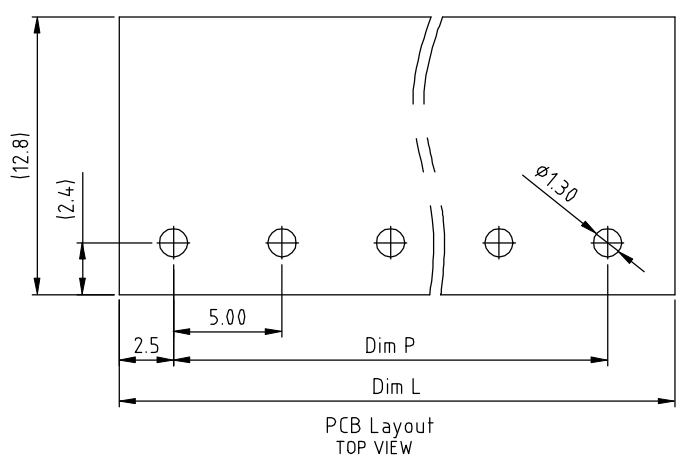
Materials
 Item a Terminal housing : PA66 (UL94V-0)
 Item b Terminal screw: Steel Zinc plating "+/-" slot type
 Item c Wire guard : Stainless steel
 Item d Terminal body: Brass(CuZn) ,Tin Plated

- Electrical cULus
- Voltage rating: 300VAC
 - Current rating: 15A
 - Wire range:
 - Solid wire(AWG): 12-26
 - Stranded wire(AWG): 12-26
 - Torque(Lb-In): 3.5
 - Screw: M2.6
 - Wire strip length: 5-6mm
 - Withstanding Voltage: 1.6KV
 - Operating temperature: -40°C to +115°C
 - △ ● Soldering temperature: 260°C±5°C/5 Sec
 - △ ● Safety Approval: cULus
 - Critical dimension: ▽

△ KZ xx 7 0 x 1 xxxx G

- End stackable
 02 2 POLES
 03 3 POLES

 24 24 POLES
- COLOR
- 0 Black
 - 2 Red (RAL3001/D)
 - 3 Orange(RAL2011/P)
 - 4 Yellow(RAL1018/A)
 - 5 Green(RAL6018/T)
 - 6 Blue (RAL5015/A)
 - 8 Grey(RAL7035/D)
 - 9 White
 - C Green(RAL 6018/U)
- RoHS compliant
 (lead<4%)
 In copper Alloy
- 0000: "@ " Logo (Standard)
 000A: "ANYTEK" Mark
- Any special item by customer request.
 please contact sales department.



N = Number of poles
 Dim L = N x 5.0
 Dim P = (N-1) x 5.0

| Poles | Dim L | Dim P |
|--------|-------|-------|
| 2-6p | ±0.15 | ±0.15 |
| 7-12p | ±0.25 | ±0.25 |
| 13-18p | ±0.35 | ±0.35 |
| 19-24p | ±0.40 | ±0.40 |

| | | | |
|---|---|----------------------|----------------------|
| ANYTEK | | CUSTOMER COPY | |
| ALL RIGHTS RESERVED. REPRODUCTION OR ISSUE TO THIRD PARTIES IN ANY FORM WHATSOEVER IS NOT PERMITTED WITHOUT WRITTEN AUTHORITY FROM THE PROPRIETOR. PROPERTY OF ANYTEK TECHNOLOGY CO., LTD | | | |
| TITLE | KZ 5.0 Series (" +/- "Screw&Round hole) | | |
| PART NO. | KZxx70x1xxxxG | DWG NO. | 8KZ0102 |
| APPROVED | CHECKED | DESIGNED | DRAWN |
| | | Guoxue 2013.07.09 | Guoxue 2013.07.09 |
| SHEET: 01/01 | | Tolerance | |
| | | UNIT: mm | X. ±0.5 |
| | | SCALE: NONE | X.X ±0.3 |
| | | REV.: C | X.XX ±0.1 |
| | | | X° ±1° |