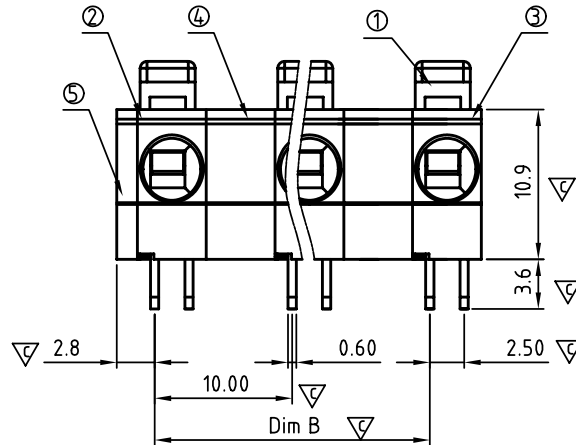
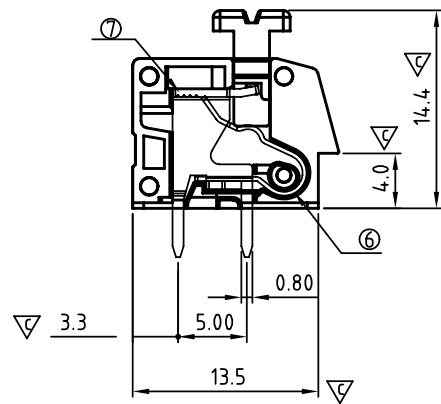
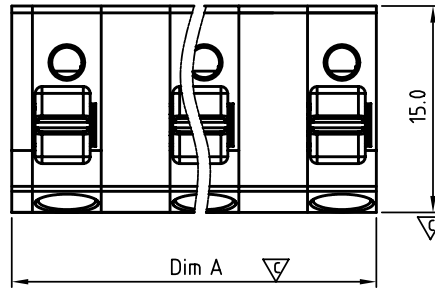


PCB Layout



SIGN	DATE	DESCRIPTION	APPROVER
△	08/24'12	Change the dwg no 8H60102 to 8H60801	Da cheng
<b>THIS IS CAD DRAWING, DO NOT REVISE MANUALLY!!!</b>			

Material:

- Item ① Lever: Thermoplastic (UL94V-0)
- Item ② Terminal body: Thermoplastic (UL94V-0)
- Item ③ Terminal side body: Thermoplastic (UL94V-0)
- Item ④ Pad board: Thermoplastic (UL94V-0)
- Item ⑤ cover: Thermoplastic (UL94V-0)
- Item ⑥ Spring clamp: Stainless steel
- Item ⑦ contact pin: Brass.Tin plated

Electrical:

- |                          |                      |       |
|--------------------------|----------------------|-------|
|                          | cULus                | VDE   |
| ● Voltage rating:        | 300 V                | 450 V |
| ● Current rating:        | 11 A                 | 12 A  |
| ● Wire range:            | 0.5-4mm <sup>2</sup> |       |
| ● Solid wire(AWG):       | 12-20                |       |
| ● Stranded wire(AWG):    | 12-20                |       |
| ● Wire strip length:     | 10-11 mm             |       |
| ● Withstanding Voltage:  | 1.6KV                |       |
| ● Operating temperature: | -40°C to +115°C      |       |
| ● Soldering temperature: | 260°C ±5°C/5 Sec     |       |
| ● Safety Approval:       |                      |       |
| ● Critical dimension:    | ▽                    |       |

H6 xx 2 0 x 0 xxxx G

No. OF POLES  
02: 2 POLES  
:  
12: 12 POLES

RoHS compliant  
(lead<4%)  
In copper Alloy

COLOR  
0: BLACK  
5: GREEN (RAL 6018/T)  
6: BLUE  
8: GREY (RAL 7004/P)

0000: "@ " Logo (Standard)  
000A: "ANYTEK" Mark  
Any special item by customer request.  
please contact sales department.

N=NUMBER OF POLES

DIM		TOL			
		2P--4P	5P--7P	8P--10P	11P--12P
Dim A	(N-1)×10.0+6.50	±0.15	±0.20	±0.30	±0.40
Dim B	(N-1)×10.0	±0.15	±0.20	±0.25	±0.30

# ANYTEK

## CUSTOMER COPY

ALL RIGHTS RESERVED. REPRODUCTION OR ISSUE TO THIRD PARTIES IN ANY FORM WHATSOEVER IS NOT PERMITTED WITHOUT WRITTEN AUTHORITY FROM THE PROPRIETOR. PROPERTY OF ANYTEK TECHNOLOGY CO., LTD

TITLE	H6 10.0mm Series ( Round hole )			
PART NO.	H6xx20x0xxxxG	DWG NO.	8H60801 △	
APPROVED	CHECKED	DESIGNED	DRAWN	CUST NO.
		Da cheng 2012.08.24	Da cheng 2012.08.24	
SHEET: 01/01				Tolerance
				X. ±0.50
				X.X ±0.30
				X.XX ±0.10
				X° ±1°