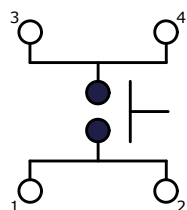
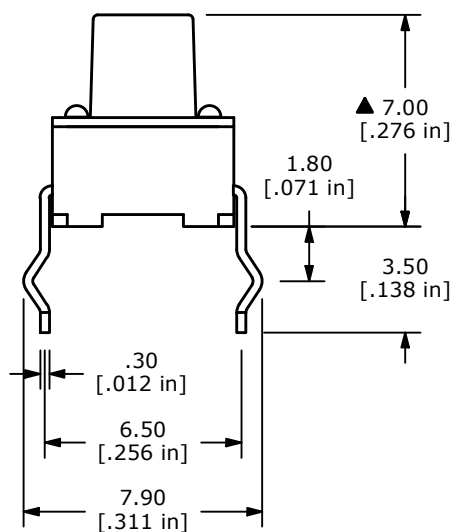
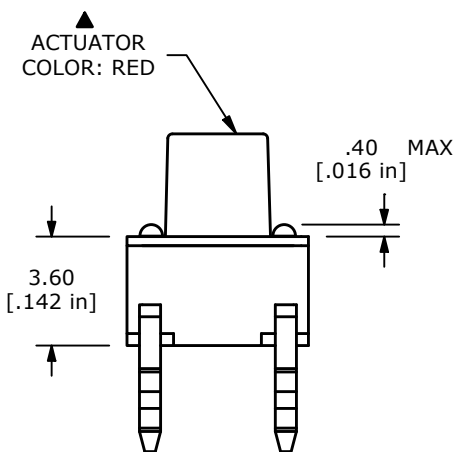
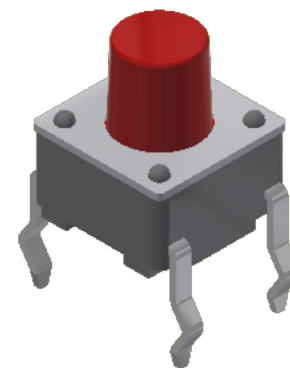
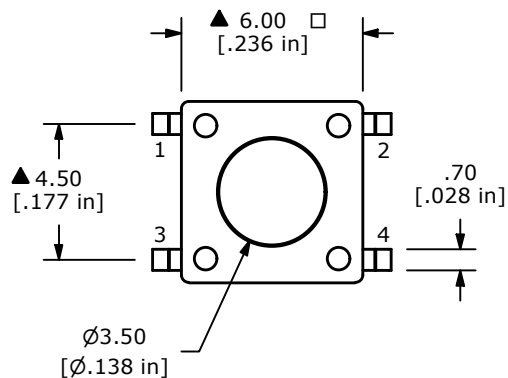


P.C.B. LAYOUT



CIRCUIT: SPST ▲



NOTES:

1. ALL DIMENSIONS IN MM
2. GENERAL TOLERANCE: X.X=±0.4  
X.XX=±0.25
3. TERM. NOS. FOR REFERENCE ONLY.
4. RATING: 12VDC, 50mA
- ▲ 5. OPERATING FORCE: 250 ± 50 gf
6. TRAVEL: 0.25mm +0.20/-0.10MM
7. CONTACT RESISTANCE: 100 MILLI OHMS MAX. (INITIAL)
8. MECHANICAL/ELECTRICAL LIFE 100,000 CYCLES MIN.
- ▲ 9. CONTACT MATERIAL: SILVER
10. ▲ DENOTES CRITICAL PARAMETER
11. OPERATING TEMP: -40°C TO 85°C

REV	ECO NO	DESCRIPTION	DATE	BY		OBJECT ID 000017654
E	ECO-102223	PRINT UPDATE	09/19/23	JS		
					TITLE TL1105FF250Q	
SCALE 4:1			DATE 10/25/2012	DR RC	DWG P010017	REV E

THE INFORMATION CONTAINED IN THIS DOCUMENT IS PROPRIETARY TO E-SWITCH AND IS NOT TO BE COPIED OR TRANSFERRED