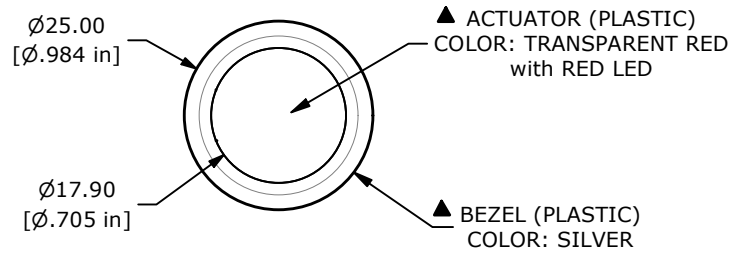
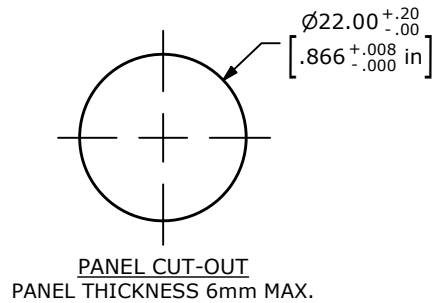
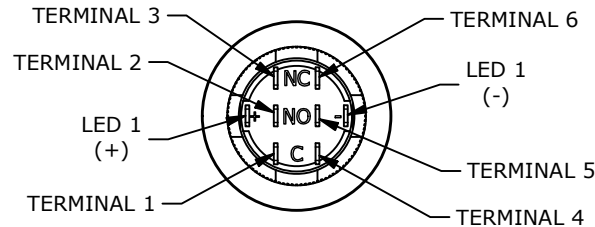
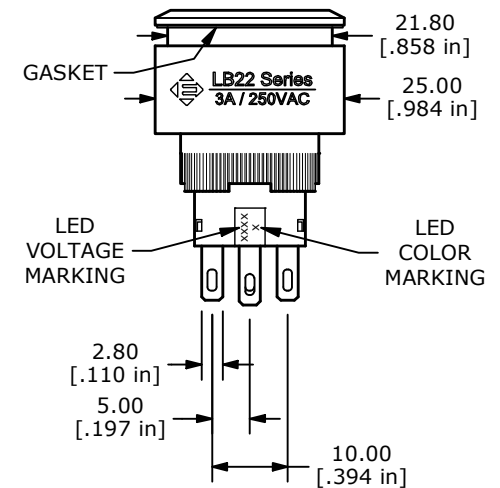
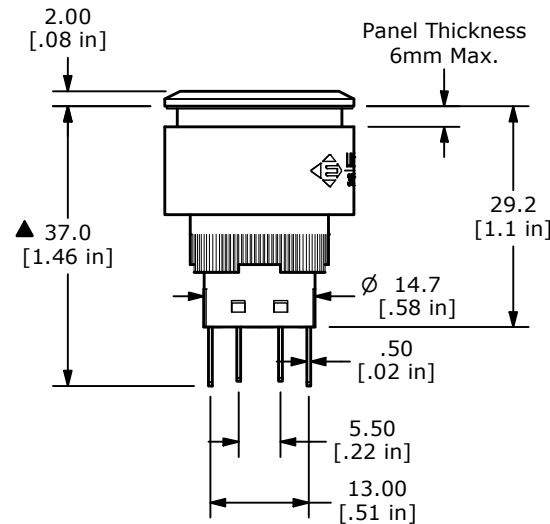


SCHEMATIC
DPDT ILLUMINATED
ON - ON
LOCKING



- NOTE:
1. ALL DIMENSIONS IN MM [INCH]
 2. GENERAL TOLERANCE: X.X = ±0.4
X.XX = ±0.25
 3. TERMINAL NUMBERS FOR REF ONLY
 - ▲ 4. TERMINAL/CONTACT MATERIAL: SILVER PLATED
 5. RATING: 3A @ 250VAC
 6. CONTACT RESISTANCE: 50mΩ MAX. @ 1A 12VDC
 7. ELECTRICAL LIFE: 50,000 MAKE-AND-BREAK CYCLES AT FULL LOAD
 8. ACTUATION FORCE: 2 POLES (DP) 3.5 ±1.0N
 9. MECHANICAL LIFE: 500,000 (LOCKING) CYCLES
 10. INSULATION RESISTANCE: 1,000MΩ @ 500VDC MIN.
 11. DIELECTRIC STRENGTH: 2,000 RMS @ SEA LEVEL
 12. OPERATING TEMPERATURE: -20°C to 55°C
 13. ▲ DENOTES CRITICAL PARAMETER.
 - ▲ 14. LAMP VOLTAGE: 3V
 15. TRAVEL: 3.2mm
 16. MOUNTING NUT TORQUE: 0.3 - 0.5Nm
 17. INGRESS PROTECTION: IP65
 18. HARDWARE SUPPLIED: GASKET and MOUNTING NUT



REV	ECO NO	DESCRIPTION	DATE	BY	E-SWITCH®				OBJECT ID
A	ECO-100889	Release	08/18/22	MR	TITLE LB22F2GQ1111				100121898
THE INFORMATION CONTAINED IN THIS DOCUMENT IS PROPRIETARY TO E-SWITCH AND IS NOT TO BE COPIED OR TRANSFERRED					SCALE	DATE	DR	DWG	REV
					1:1	4/1/2022	MW	T942003	A