

SIGN	DATE	DESCRIPTION	APPROVER
△	11/29'10	Structure changed	Runner
△	08/22'13	Add is cULus // update the drawing	Da cheng

THIS IS CAD DRAWING, DO NOT REVISE MANUALLY!!!

Material:

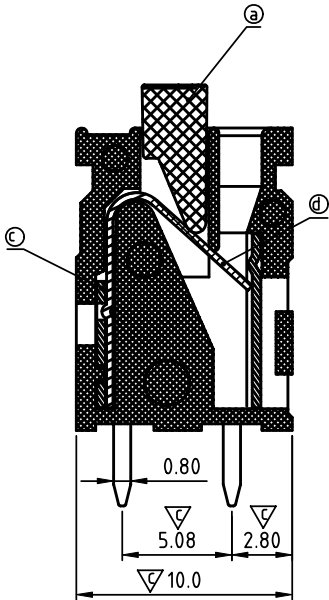
- Item a :Lever:Thermoplastic (UL94 V-0)
- Item b :Terminal Normal housing: Thermoplastic (UL94 V-0)
- Item c :Solder pin : Brass Tin plated
- Item d :Spring clamp: Stainless steel
- Item e :Terminal cover: Thermoplastic (UL94V-0)
- Item f :Terminal side housing: Thermoplastic (UL94 V-0)

Electrical cULus

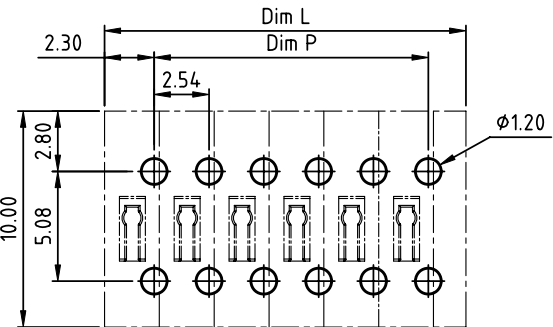
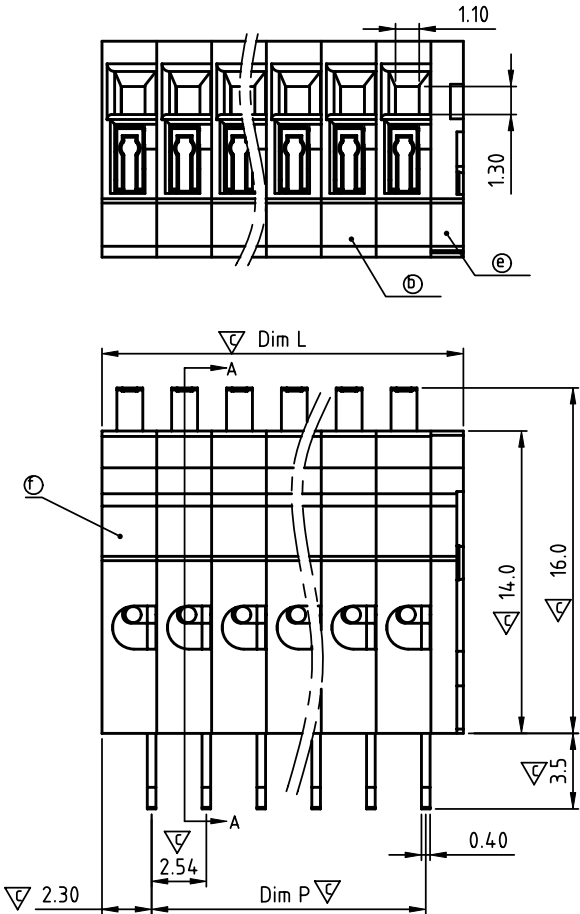
- Voltage rating: 150V
- Current rating: 3A
- Wire range:
- Solid wire(AWG): 20-28
- Stranded wire(AWG): 20-28
- Wire strip length: 9-10mm
- Withstanding Voltage: 1.3KV
- Operating temperature: -40°C to +115°C
- Soldering temperature: 260°C±5°C/5 Sec
- △ ● Safety Approval: us
- △ ● Critical dimension: ▽

NA xx 50 x 0 xxxx G RoHs compliant (lead-4%) In copper Alloy △

No. OF POLES	△ COLOR	0000: "@ " Logo (Standard)
02 2 poles	0 Black (RAL9005)	000A: "ANYTEK" Mark
03 3 poles	2 Red (RAL3001/D)	
...	3 Orange(RAL2011/P)	Any special item by customer request.
24 24 poles	4 Yellow(RAL1018/A)	please contact sales department.
	5 Green(RAL6018/T)	
	6 Blue (RAL5015/A)	
	8 Grey(RAL7004/P)	
	9 White(RAL1102)	
	C Multiple colors	



SECTION A-A



△ P.C.B LAYOUT
Top view

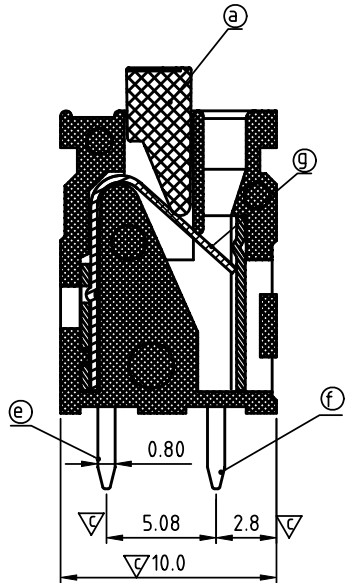
N = Number of poles
 Dim L = N x 2.54 + 1.5
 Dim P = (N - 1) x 2.54

	Dim A	Dim B
2-6p	±0.20	±0.20
6-12p	±0.25	±0.25
12-24p	±0.30	±0.30

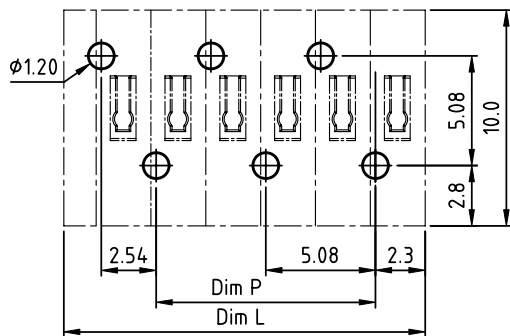
ANYTEK		CUSTOMER COPY	
ALL RIGHTS RESERVED. REPRODUCTION OR ISSUE TO THIRD PARTIES IN ANY FORM WHATSOEVER IS NOT PERMITTED WITHOUT WRITTEN AUTHORITY FROM THE PROPRIETOR. PROPERTY OF ANYTEK TECHNOLOGY CO., LTD			
TITLE: NA 2.54mm series Double tail A type Vertical (90D wire inlet)		DWG NO.: 8NA0101	
PART NO.: NAxx50x0xxxxG		CUST NO.:	
APPROVED:	CHECKED:	DESIGNED: Da cheng 2013.08.22	DRAWN: Da cheng 2013.08.22
SHEET: 01/01		UNIT: mm	Tolerance: X. ±0.50
		SCALE: 4/1	X.X ±0.30
		REV.: D	X.XX ±0.10
			X° ±1°

N = Number of poles
 Dim L = N x 2.54 + 1.5
 Dim P = (N - 1) x 2.54

	Dim L	Dim P
2-6p	±0.20	±0.20
6-12p	±0.25	±0.25
12-24p	±0.30	±0.30

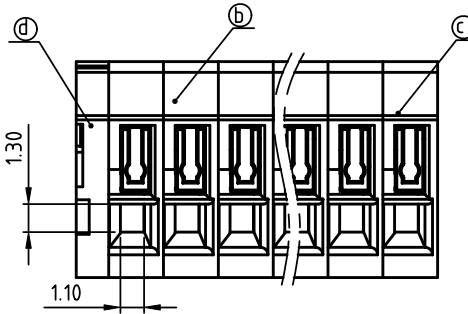
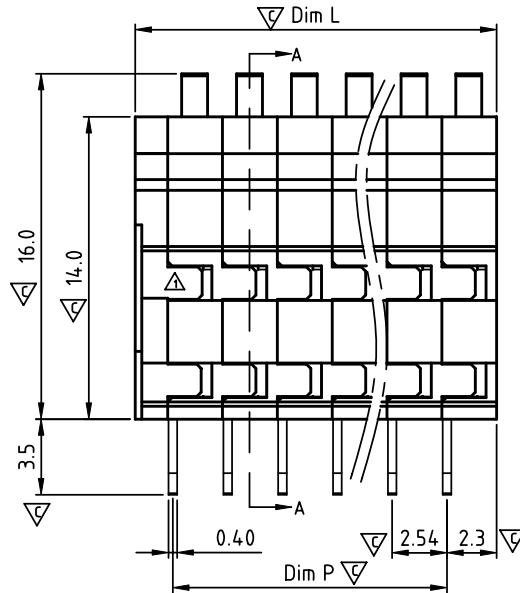
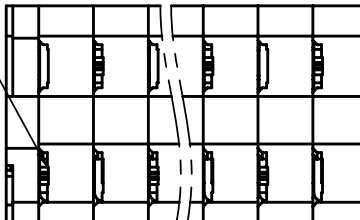


SECTION A-A



P.C.B LAYOUT
Top view

△ Left contacts pin omit
Right side with cover



SIGN	DATE	DESCRIPTION	APPROVER
△	11/29'10	Structure changed	Runner
△	04/06'11	Add is spec.	Chen Bo
△	08/22'13	Add is cULus // update the drawing	Da cheng

THIS IS CAD DRAWING, DO NOT REVISE MANUALLY!!!

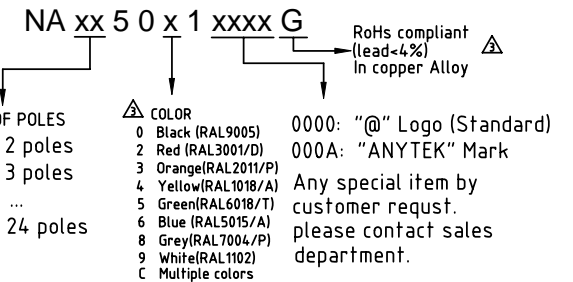
Material:

- Item a : Terminal lever: Thermoplastic (UL94 V-0)
- Item b : Terminal Normal housing: Thermoplastic (UL94 V-0)
- Item c : Terminal side body Thermoplastic (UL94 V-0)
- Item d : Terminal cover: Thermoplastic (UL94 V-0)
- Item e : Left contacts pin omit Right side: Brass Tin plated
- Item f : Right contacts pin omit Left side: Brass Tin plated
- Item g : wire guard: Stainless steel

Electrical

cULus

- Voltage rating: 150V
- Current rating: 3A
- Wire range:
- Solid wire(AWG): 20-28
- Stranded wire(AWG): 20-28
- Wire strip length: 9-10mm
- Withstanding Voltage: 1.3KV
- Operating temperature: -40°C to +115°C
- △ ● Soldering temperature: 260°C±5°C/5 Sec
- △ ● Safety Approval:
- △ ● Critical dimension:



ANYTEK				CUSTOMER COPY			
TITLE NA 2.54mm series Single tail B type Vertical (90D wire inlet)							
PART NO. NAxx50x1xxxxG				DWG NO. 8NA0102			
APPROVED		CHECKED		DESIGNED		DRAWN	
				Da cheng 2013.08.22		Da cheng 2013.08.22	
SHEET: 01/01				Tolerance			
				X. ±0.50			
				X.X ±0.30			
				X.XX ±0.10			
				X° ±1°			