

## Best-selling Basic Switch Boasting High Precision and Wide Variety



- A large switching capacity of 15 A with high repeat accuracy.
- A wide range of variations in contact form for your selection: basic, split-contact, maintained-contact, and adjustable contact gap types.
- A series of standard models for micro loads is available.
- A series of molded terminal-type models incorporating safety terminal protective cover is available.



For the most recent information on models that have been certified for safety standards, refer to your OMRON website.



Be sure to read *Safety Precautions* on page 26 and *Safety Precautions for All Basic Switches*.

## Model Number Structure

### Configuration



### Basic Models

#### General-purpose

- A variety of actuators is available for a wide range of application.
- The contact mechanism of models for micro loads is a crossbar type with gold-alloy contacts, which ensures highly reliable operations for micro loads.
- Contact Gap:
  - H2: 0.20 mm (extra-high-sensitivity)
  - H: 0.25 mm (high-sensitivity, micro voltage current load)
  - G: 0.5 mm (standard)
  - E: 1.8 mm (high-capacity)

#### Drip-proof

- These Switches use a rubber boot on the actuator and adhesive fill between the case and cover to increase resistance to drips.
- Models with drip-proof terminal protective covers and molded terminals with resin filling are also available.

### Split-contact Models

- This type is identical in construction to the general-purpose basic switch except that it has two pairs of simultaneous acting contacts by splitting moving contacts.
- Since the moving contacts are connected to a common terminal, either parallel or series connection is possible.
- Highly reliable micro load switching is ensured if the model is used as a twin-contact switch.

### Maintained-contact Models

- The maintained-contact type has a reset button at the bottom of the switch case, in addition to the pushbutton (plunger) located on the opposite side of the reset button. Use these buttons alternately.
- Since the Switch has greater pretravel than overtravel, it is suitable for use in reversible control circuits, manual reset circuits, safety limit circuits, and other circuits which are not preferable for automatic resetting. (For further details, refer to individual datasheets.)

## Model Number Legend

### Basic Models

Z-□□□□-□

(1)(2)(3)(4) (5)

#### (1) Ratings

01 : 0.1 A (micro load)  
15 : 15 A

#### (2) Contact Gap

H2 : 0.20 (extra-high-sensitivity)  
H : 0.25 mm (high-sensitivity, micro load)  
G : 0.5 mm (standard)  
E : 1.8 mm (high-capacity)

#### (3) Actuator

None : Pin plunger  
S : Slim spring plunger  
D : Short spring plunger  
K : Spring plunger (medium OP)  
K3 : Spring plunger (high OP)  
Q3 : Panel mount plunger (low OP)  
Q : Panel mount plunger (medium OP)  
Q8 : Panel mount plunger (high OP)  
Q22 : Panel mount roller plunger  
Q21 : Panel mount cross roller plunger  
L : Leaf spring (high OF)  
L2 : Roller leaf spring  
W21 : Short hinge lever  
W : Hinge lever (low OF)  
W3 : Hinge lever (medium OF)  
W32 : Hinge lever (high OF)  
W4 : Low-force hinge lever  
W44 : Long hinge lever  
W78 : Low-force wire hinge lever (low OF)  
W52 : Low-force wire hinge lever (high OF)  
W22 : Short hinge roller lever  
W2 : Hinge roller lever  
W25 : Hinge roller lever (large roller)  
W49 : Short hinge cross roller lever  
W54 : Hinge cross roller lever  
W2277 : Unidirectional short hinge roller lever (low OF)  
M : Reverse hinge lever  
M22 : Reverse short hinge roller lever  
M2 : Reverse hinge roller lever  
NJ : Flexible rod (high OF)  
NJS : Flexible rod (low OF)

#### (4) Degree of Protection

None : General-purpose  
55 : Drip-proof (not include the terminals)  
A55 : Drip-proof (including the terminals)

#### (5) Terminals

None : Solder terminal  
B : Screw terminal (with toothed washer)  
B5V : Screw terminal with terminal cover (for Z-15G□A55 only)

### Standard Models (Drip-proof Type/Molded Terminals)

Z-□55-M□□ □M

(1) (2)(3) (4)

#### (1) Drip-proof Type

#### (2) Lead Outlets

None : VSF  
19 : VCT

#### (3) Directions of Lead

#### Outlets (See following diagrams.)

L : Left  
R : Right  
D : Descending



#### D Type



#### R Type



#### (4) Length of Lead

#### Outlets

1 : 1 m  
3 : 3 m

### Split-contact Models

Z-10F□Y-B

(1)(2)(3)(4) (5)

#### (1) Ratings

10 : 10 A (split-contact models)

#### (2) Contact Gap

F : 1 mm (high-capacity)

#### (3) Actuator

None : Pin plunger  
S : Slim spring plunger  
D : Short spring plunger  
Q : Panel mount plunger  
Q22 : Panel mount roller plunger  
W : Hinge lever  
W22 : Short hinge roller lever  
W2 : Hinge roller lever  
M22 : Reverse short hinge roller lever

#### (4) Construction

Y : Split-contact models

#### (5) Terminals

B : Screw terminal (with toothed washer)

### Maintained-contact Models

Z-15-E□R

(1) (2)(3)(4)

#### (1) Ratings

15 : 15 A

#### (2) Contact Gap

E : 1.8 mm (high capacity)

#### (3) Actuator

None : Pin plunger  
S : Slim spring plunger  
W : Hinge lever

#### (4) Structure

R : Maintained-contact models

Note: For combinations of models, *Ordering Information* on page 3 to 6.

## Ordering Information

### Main Unit

#### Basic Models (General-purpose)

| Actuator                                | Classification  | Contact gap<br>Terminal *1  | Standard  | High-sensitivity | Extra-high<br>sensitivity | High-capacity | Micro load  |          |
|---|---|---|---|------------------|---------------------------|---------------|-------------|----------|
|   |   |   | G (0.5 mm)  | H (0.25 mm)      | H2 (0.20 mm)              | E (1.8 mm)    | H (0.25 mm) |          |
|   |   |   | Model   | Model            | Model                     | Model         | Model       |          |
| Pin plunger                             |    |    | Z-15G   | Z-15H            | Z-15H2                    | Z-15E         | Z-01H       |          |
|   |   |    | Z-15G-B   | Z-15H-B          | Z-15H2-B                  | Z-15E-B       | Z-01H-B     |          |
| Slim spring plunger                     |    |    | Z-15GS  | Z-15HS           | ---                       | ---           | Z-01HS      |          |
|   |   |    | Z-15GS-B  | Z-15HS-B         | ---                       | ---           | Z-01HS-B    |          |
| Short spring plunger                    |    |    | Z-15GD  | Z-15HD           | ---                       | Z-15ED        | Z-01HD      |          |
|   |   |    | Z-15GD-B  | Z-15HD-B         | ---                       | Z-15ED-B      | Z-01HD-B    |          |
| Panel mount plunger                     |    | Low OP  |    | Z-15GQ3          | ---                       | ---           | ---         |          |
|   |   |   |    | Z-15GQ3-B        | ---                       | ---           | ---         |          |
|   |   | Medium OP   |    | Z-15GQ           | Z-15HQ                    | ---           | Z-15EQ      | Z-01HQ   |
|   |   |   |    | Z-15GQ-B         | Z-15HQ-B                  | ---           | Z-15EQ-B    | Z-01HQ-B |
| High OP                                 |    | Z-15GQ8   | ---   | ---              | ---                       | ---           |             |          |
|   |    | Z-15GQ8-B   | ---   | ---              | ---                       | ---           |             |          |
| Panel mount roller plunger              |    |    | Z-15GQ22  | Z-15HQ22         | ---                       | Z-15EQ22      | ---         |          |
|   |   |    | Z-15GQ22-B  | Z-15HQ22-B       | ---                       | Z-15EQ22-B    | ---         |          |
| Panel mount cross roller plunger        |    |    | Z-15GQ21  | Z-15HQ21         | ---                       | Z-15EQ21      | ---         |          |
|   |   |    | Z-15GQ21-B  | Z-15HQ21-B       | ---                       | Z-15EQ21-B    | ---         |          |
| Leaf spring                             |    |    | Z-15GL  | ---              | ---                       | ---           | ---         |          |
|   |   |    | Z-15GL-B  | ---              | ---                       | ---           | ---         |          |
| Roller leaf spring                      |    |    | Z-15GL2   | ---              | ---                       | ---           | ---         |          |
|   |   |    | Z-15GL2-B   | ---              | ---                       | ---           | ---         |          |
| Short hinge lever                       |   |   | Z-15GW21  | ---              | ---                       | ---           | ---         |          |
|   |   |  | Z-15GW21-B  | ---              | ---                       | ---           | ---         |          |
| Hinge lever                             |  | Low OP  |  | Z-15GW           | Z-15HW                    | ---           | ---         |          |
|   |   |   |  | Z-15GW-B         | Z-15HW-B                  | ---           | ---         |          |
|   |   | Medium OP   |  | Z-15GW3          | ---                       | ---           | ---         | ---      |
|   |   |   |  | Z-15GW3-B        | ---                       | ---           | ---         | ---      |
| High OP                                 |  | Z-15GW32  | ---   | ---              | ---                       | ---           |             |          |
|   |  | Z-15GW32-B  | ---   | ---              | ---                       | ---           |             |          |
| Low-force hinge lever                   |  |  | Z-15GW4   | Z-15HW24         | ---                       | ---           | ---         |          |
|   |   |  | Z-15GW4-B   | Z-15HW24-B       | ---                       | ---           | ---         |          |
| Low-force wire hinge lever              |  | Low OP  |  | ---              | Z-15HW78                  | ---           | ---         |          |
|   |   |   |  | ---              | Z-15HW78-B                | ---           | ---         |          |
|   |   | High OP   |  | ---              | Z-15HW52                  | ---           | ---         | ---      |
|   |   |   |  | ---              | Z-15HW52-B                | ---           | ---         | ---      |
| Short hinge roller lever                |  |  | Z-15GW22  | Z-15HW22         | ---                       | Z-15EW22      | Z-01HW22    |          |
|   |   |  | Z-15GW22-B  | Z-15HW22-B       | ---                       | Z-15EW22-B    | Z-01HW22-B  |          |
| Short hinge cross roller lever          |  |  | Z-15GW49  | ---              | ---                       | ---           | ---         |          |
|   |   |  | Z-15GW49-B  | ---              | ---                       | ---           | ---         |          |
| Hinge roller lever                      |  | Standard  |  | Z-15GW2          | Z-15HW2                   | ---           | ---         |          |
|   |   |   |  | Z-15GW2-B        | Z-15HW2-B                 | ---           | ---         |          |
|   |   | Large roller  |  | Z-15GW25         | ---                       | ---           | ---         | ---      |
|   |   |   |  | Z-15GW25-B       | ---                       | ---           | ---         | ---      |
| Hinge cross roller lever                |  |  | Z-15GW54  | ---              | ---                       | ---           | ---         |          |
|   |   |  | Z-15GW54-B  | ---              | ---                       | ---           | ---         |          |
| Unidirectional short hinge roller lever |  | Parallel  |  | Z-15GW2277       | ---                       | ---           | ---         |          |
|   |   |   |  | Z-15GW2277-B     | ---                       | ---           | ---         |          |
| Reverse hinge lever *2                  |  |  | Z-15GM  | ---              | ---                       | ---           | ---         |          |
|   |   |  | Z-15GM-B  | ---              | ---                       | ---           | ---         |          |
| Reverse short hinge roller lever *2     |  |  | Z-15GM22  | ---              | ---                       | ---           | ---         |          |
|   |   |  | Z-15GM22-B  | ---              | ---                       | ---           | ---         |          |
| Reverse hinge roller lever *2           |  |  | Z-15GM2   | ---              | ---                       | ---           | ---         |          |
|   |   |  | Z-15GM2-B   | ---              | ---                       | ---           | ---         |          |

\*1.  : Solder terminal  : Screw terminal

\*2. The pin plungers of reverse-type models are continuously pressed by the actuator levers with compression coil springs and the pin plungers are freed by operating the levers. Reverse-type models are highly vibration- and shock-resistant because the pin plungers are normally pressed.

### Minimum Order Lot

The following models are available at the minimum order lot specified below.  
Orders must be placed per lot.

| Classification                   | Standard                        | High-sensitivity | Minimum order lot (pcs) |
|----------------------------------|---------------------------------|------------------|-------------------------|
| Actuator                         |                                 |                  |                         |
| Short spring plunger             | Z-15GD-B                        | --               | 10                      |
| Panel mount plunger              | Z-15GQ<br>Z-15GQ-B<br>Z-15GQ8-B | --               |                         |
| Panel mount roller plunger       | Z-15GQ22<br>Z-15GQ22-B          | --               |                         |
| Panel mount cross roller plunger | Z-15GQ21-B                      | --               |                         |
| Short hinge lever                | Z-15GW21-B                      | --               |                         |
| Hinge lever                      | Z-15GW<br>Z-15GW-B              | --               |                         |
| Low-force hinge lever            | Z-15GW4-B                       | Z-15HW24-B       |                         |
| Low-force hinge wire lever       | --                              | Z-15HW78-B       |                         |
| Short hinge roller lever         | Z-15GW22<br>Z-15GW22-B          | --               |                         |
| Hinge roller lever               | Z-15GW2<br>Z-15GW2-B            | --               |                         |
| Reverse short hinge roller lever | Z-15GM22-B                      | --               |                         |
| Reverse hinge roller lever       | Z-15GM2-B                       | --               |                         |

### Split-contact Models

| Actuator                            | Contact gap<br>Terminal *1  | F (1.0 mm)  |  |
|-------------------------------------|---|-------------|--|
|                                     |   | Model       |  |
| Pin plunger                         |  | ---         |  |
|                                     |  | Z-10FY-B    |  |
| Slim spring plunger                 |  | ---         |  |
|                                     |  | Z-10FSY-B   |  |
| Short spring plunger                |  | ---         |  |
|                                     |  | Z-10FDY-B   |  |
| Panel mount plunger                 |  | ---         |  |
|                                     |  | Z-10FQY-B   |  |
| Panel mount roller plunger          |  | ---         |  |
|                                     |  | Z-10FQ22Y-B |  |
| Hinge lever                         |  | ---         |  |
|                                     |  | Z-10FWY-B   |  |
| Short hinge roller lever            |  | ---         |  |
|                                     |  | Z-10FW22Y-B |  |
| Hinge roller lever                  |  | ---         |  |
|                                     |  | Z-10FW2Y-B  |  |
| Reverse short hinge roller lever *2 |  | ---         |  |
|                                     |  | Z-10FM22Y-B |  |

\*1.  : Solder terminal  : Screw terminal

\*2. The pin plungers of reverse-type models are continuously pressed by the actuator levers with compression coil springs and the pin plungers are freed by operating the levers. Reverse-type models are highly vibration- and shock-resistant because the pin plungers are normally pressed.

### Maintained-contact Models

| Actuator  | Model   |
|---|---------|
| Pin plunger          | Z-15ER  |
| Slim spring plunger  | Z-15ESR |
| Hinge lever          | Z-15EWR |

## Basic Models (Drip-proof Models (Standard, Microload))

| Actuator                                | Classification<br>Contact gap<br>Drip-proof terminal<br>protective cover<br>Terminal *1 | Standard<br>G (0.5 mm)  |   | Micro load<br>H (0.25 mm) |                |     |
|---|---|---|---|---------------------------|----------------|-----|
|   |   | Not provided  | Provided  | Not provided              |                |     |
|   |   | Model   | Model   | Model                     |                |     |
| Pin plunger                             |        |    | Z-15G55   | ---                       | Z-01H55        |     |
|   |   |    | Z-15G55-B   | Z-15GA55-B5V              | Z-01H55-B      |     |
| Short spring plunger                    |        |    | Z-15GD55  | ---                       | Z-01HD55       |     |
|   |   |    | Z-15GD55-B  | ---                       | Z-01HD55-B     |     |
| Spring plunger                          |        |    |  | Z-15GK55                  | ---            |     |
|   |   |   |  | Z-15GK55-B                | ---            |     |
|   |   |    |  | Z-15GK355                 | ---            | --- |
|   |   |   |  | Z-15GK355-B               | Z-15GK3A55-B5V | --- |
| Panel mount plunger                     |        |    | Z-15GQ55  | ---                       | ---            |     |
|   |   |    | Z-15GQ55-B  | Z-15GQA55-B5V             | ---            |     |
| Panel mount roller plunger              |        |    | Z-15GQ2255  | ---                       | ---            |     |
|   |   |    | Z-15GQ2255-B  | Z-15GQ22A55-B5V           | ---            |     |
| Panel mount cross roller plunger        |        |    | ---   | ---                       | ---            |     |
|   |   |    | Z-15GQ2155-B  | Z-15GQ21A55-B5V           | ---            |     |
| Leaf spring                             |        |    | Z-15GL55  | ---                       | ---            |     |
|   |   |    | Z-15GL55-B  | ---                       | ---            |     |
| Roller leaf spring                      |        |    | Z-15GL255   | ---                       | ---            |     |
|   |   |    | Z-15GL255-B   | ---                       | ---            |     |
| Short hinge lever                       |       |    | Z-15GW2155  | ---                       | ---            |     |
|   |   |   | Z-15GW2155-B  | ---                       | ---            |     |
| Long hinge lever                        |      |  | Z-15GW4455  | ---                       | ---            |     |
|   |   |  | Z-15GW4455-B  | Z-15GW44A55-B5V           | ---            |     |
| Hinge lever                             |      |  | Z-15GW55  | ---                       | ---            |     |
|   |   |  | Z-15GW55-B  | Z-15GWA55-B5V             | ---            |     |
| Short hinge roller lever                |      |  | Z-15GW2255  | ---                       | Z-01HW2255     |     |
|   |   |  | Z-15GW2255-B  | Z-15GW22A55-B5V           | Z-01HW2255-B   |     |
| Hinge roller lever                      |      |  | Z-15GW255   | ---                       | ---            |     |
|   |   |  | Z-15GW255-B   | Z-15GW2A55-B5V            | ---            |     |
| Unidirectional short hinge roller lever |      |  | Z-15GW227755  | ---                       | ---            |     |
|   |   |  | Z-15GW227755-B  | Z-15GW2277A55-B5V         | ---            |     |
| Reverse hinge lever *2                  |      |  | Z-15GM55  | ---                       | ---            |     |
|   |   |  | Z-15GM55-B  | ---                       | ---            |     |
| Reverse short hinge roller lever *2     |      |  | Z-15GM2255  | ---                       | ---            |     |
|   |   |  | Z-15GM2255-B  | ---                       | ---            |     |
| Reverse hinge roller lever *2           |      |  | Z-15GM255   | ---                       | ---            |     |
|   |   |  | Z-15GM255-B   | ---                       | ---            |     |
| Flexible rod (coil spring) *3           |      |  | Z-15GNJ55   | ---                       | ---            |     |
|   |   |  | Z-15GNJ55-B   | ---                       | ---            |     |

\*1.  : Solder terminal  : Screw terminal

\*2. The pin plungers of reverse-type models are continuously pressed by the actuator levers with compression coil springs and the pin plungers are freed by operating the levers.

\*3. The tip is made of resin.

## Minimum Order Lot

The following models are available at the minimum order lot specified below.

Orders must be placed per lot.

| Actuator                   | Classification<br>Contact gap | Standard<br>G (0.5 mm)     | Minimum order<br>lot (pcs) |
|----------------------------|-------------------------------|----------------------------|----------------------------|
| Short spring plunger       |                               | Z-15GD55-B                 | 10                         |
| Spring plunger             |                               | Z-15GK55-B                 |                            |
| Hinge lever                |                               | Z-15GW4455-B               |                            |
|                            |                               | Z-15GW55                   |                            |
|                            |                               | Z-15GW55-B                 |                            |
| Short hinge roller lever   |                               | Z-15GW2255<br>Z-15GW2255-B |                            |
| Hinge roller lever         |                               | Z-15GW255-B                |                            |
| Flexible rod (coil spring) |                               | Z-15GNJ55-B                |                            |

**Basic Models (Drip-proof Models (High-sensitivity))**

| Drip-proof terminal protective cover | Classification  | High-sensitivity |             |
|--------------------------------------|---|------------------|-------------|
|                                      |   | Contact gap      | H (0.25 mm) |
| Actuator                             | Terminal *  | Not provided     |             |
|                                      |   | Model            |             |
| Flexible rod (steel wire)            |  | Z-15HNJS55       |             |
|                                      |  | Z-15HNJS55-B     |             |

\*  : Solder terminal  : Screw terminal

**Minimum Order Lot**

The following models are available at the minimum order lot specified below.

Orders must be placed per lot.

| Actuator                  | Classification | High-sensitivity | Minimum order lot (pcs) |
|---------------------------|----------------|------------------|-------------------------|
|                           |                | Contact gap      |                         |
| Flexible rod (steel wire) | H (0.25 mm)    | Z-15HNJS55-B     | 10                      |

**Specifications**

**Ratings (Basic, Split-contact and Maintained contact Models)**

**Z-15 (Except Micro Load and Flexible Rod Models)**

| Contact gap | Item      | Non-inductive load (A) |      |           |           | Inductive load (A) |      |            |    |
|-------------|-----------|------------------------|------|-----------|-----------|--------------------|------|------------|----|
|             |           | Resistive load         |      | Lamp load |           | Inductive load     |      | Motor load |    |
|             |           | NC                     | NO   | NC        | NO        | NC                 | NO   | NC         | NO |
| G, H, H2, E | 125 VAC   | 15 (10) *              | 3    | 1.5       | 15 (10) * | 5                  | 2.5  |            |    |
|             | 250 VAC   | 15 (10) *              | 2.5  | 1.25      | 15 (10) * | 3                  | 1.5  |            |    |
|             | 500 VAC * | 10                     | 1.5  | 0.75      | 6         | 1.5                | 0.75 |            |    |
| G           | 8 VDC     | 15                     | 3    | 1.5       | 15        | 5                  | 2.5  |            |    |
|             | 14 VDC    | 15                     | 3    | 1.5       | 10        | 5                  | 2.5  |            |    |
|             | 30 VDC    | 6                      | 3    | 1.5       | 5         | 5                  | 2.5  |            |    |
|             | 125 VDC   | 0.5                    | 0.5  | 0.5       | 0.05      | 0.05               | 0.05 |            |    |
|             | 250 VDC   | 0.25                   | 0.25 | 0.25      | 0.03      | 0.03               | 0.03 |            |    |
| H, H2       | 8 VDC     | 15                     | 3    | 1.5       | 15        | 5                  | 2.5  |            |    |
|             | 14 VDC    | 15                     | 3    | 1.5       | 10        | 5                  | 2.5  |            |    |
|             | 30 VDC    | 2                      | 2    | 1.4       | 1         | 1                  | 1    |            |    |
|             | 125 VDC   | 0.4                    | 0.4  | 0.4       | 0.03      | 0.03               | 0.03 |            |    |
|             | 250 VDC   | 0.2                    | 0.2  | 0.2       | 0.02      | 0.02               | 0.02 |            |    |
| E           | 8 VDC     | 15                     | 3    | 1.5       | 15        | 5                  | 2.5  |            |    |
|             | 14 VDC    | 15                     | 3    | 1.5       | 15        | 5                  | 2.5  |            |    |
|             | 30 VDC    | 15                     | 3    | 1.5       | 10        | 5                  | 2.5  |            |    |
|             | 125 VDC   | 0.75                   | 0.75 | 0.75      | 0.4       | 0.4                | 0.4  |            |    |
|             | 250 VDC   | 0.3                    | 0.3  | 0.3       | 0.2       | 0.2                | 0.2  |            |    |

\* Figures in parentheses are for the Z-15HW52, Z-15HW78(-B) and Z-15H2(-B) models, the AC ratings of these models are 125 and 250 V only.

**Z-15 (Flexible Rod Models)**

| Rated voltage | Non-inductive load (A) |     |           |      | Inductive load (A) |      |            |    |
|---------------|------------------------|-----|-----------|------|--------------------|------|------------|----|
|               | Resistive load         |     | Lamp load |      | Inductive load     |      | Motor load |    |
|               | NC                     | NO  | NC        | NO   | NC                 | NO   | NC         | NO |
| 125 VAC       | 15                     | 2   | 1         | 7    | 2.5                | 2    |            |    |
| 250 VAC       | 15                     | 1   | 0.5       | 5    | 1.5                | 1    |            |    |
| 8 VDC         | 15                     | 2   | 1         | 7    | 3                  | 1.5  |            |    |
| 14 VDC        | 15                     | 2   | 1         | 7    | 3                  | 1.5  |            |    |
| 30 VDC        | 2                      | 2   | 1         | 1    | 1                  | 0.5  |            |    |
| 125 VDC       | 0.4                    | 0.4 | 0.4       | 0.03 | 0.03               | 0.03 |            |    |
| 250 VDC       | 0.2                    | 0.2 | 0.2       | 0.02 | 0.02               | 0.02 |            |    |

**Z-10F**

| Contact gap         | Item    | Non-inductive load (A) |     |           |      | Inductive load (A) |      |            |    |
|---------------------|---------|------------------------|-----|-----------|------|--------------------|------|------------|----|
|                     |         | Resistive load         |     | Lamp load |      | Inductive load     |      | Motor load |    |
|                     |         | NC                     | NO  | NC        | NO   | NC                 | NO   | NC         | NO |
| Series connection   | 125 VAC | 10                     | 4   | 2         | 6    | 5                  | 2.5  |            |    |
|                     | 250 VAC | 10                     | 2.5 | 1.5       | 6    | 3                  | 1.5  |            |    |
|                     | 30 VDC  | 10                     | 4   | 2         | 6    | 6                  | 3    |            |    |
|                     | 125 VDC | 1                      | 1   | 1         | 0.1  | 0.1                | 0.1  |            |    |
| Parallel connection | 250 VDC | 0.6                    | 0.6 | 0.6       | 0.05 | 0.05               | 0.05 |            |    |
|                     | 125 VAC | 6                      | 3   | 1.5       | 4    | 4                  | 2    |            |    |
|                     | 250 VAC | 6                      | 2.5 | 1.25      | 4    | 2                  | 1    |            |    |
|                     | 30 VDC  | 6                      | 4   | 2         | 4    | 6                  | 3    |            |    |
| Parallel connection | 125 VDC | 0.6                    | 0.6 | 0.6       | 0.1  | 0.1                | 0.1  |            |    |
|                     | 250 VDC | 0.3                    | 0.3 | 0.3       | 0.05 | 0.05               | 0.05 |            |    |

**Z-01H**

| Rated voltage | Resistive load (A) |    |
|---------------|--------------------|----|
|               | NC                 | NO |
| 125 VAC       | 0.1                |    |
| 8 VDC         | 0.1                |    |
| 14 VDC        | 0.1                |    |
| 30 VDC        | 0.1                |    |

- Note: 1. The above current ratings are the values of the steady-state current.  
 2. Inductive load has a power factor of 0.4 min. (AC) and a time constant of 7 ms max. (DC).  
 3. Lamp load has an inrush current of 10 times the steady-state current.  
 4. Motor load has an inrush current of 6 times the steady-state current.  
 5. The normally closed and normally open ratings of reverse hinge lever models are opposite to each other.  
 6. The AC ratings of molded terminals are 125 and 250 V only.  
 7. The ratings values apply under the following test conditions:  
 (1) Ambient temperature: 20±2°C  
 (2) Ambient humidity: 65±5%RH  
 (3) Operating frequency: 20 operations/min

**Use the switch within the operating range.**



|                                | Z-01H      | Z-15□, Z-10FY |
|--------------------------------|------------|---------------|
| <b>Minimum applicable load</b> | 5 VDC 1 mA | 5 VDC 160 mA  |

### Certified Standard Ratings

Ask your OMRON representative for information on certified models.

#### UL/CSA (General ratings only)

| Rated voltage | Model | Z-15      | Z-10F     | Z-01H |
|---------------|-------|-----------|-----------|-------|
| 125 VAC       |       | 15A 1/8HP | 6A 1/10HP | 0.1A  |
| 250 VAC       |       | 15A 1/4HP | 6A 1/8HP  | ---   |
| 480 VAC       |       | 15A       | 6A        | ---   |
| 30 VDC        |       | ---       | ---       | 0.1A  |
| 125 VDC       |       | 0.5A      | 0.6A      | ---   |
| 250 VDC       |       | 0.25A     | 0.3A      | ---   |

#### TÜV (EN61058-1)

| Rated voltage | Model | Z-15H□ | Z-15G□ | Z-01H□ |
|---------------|-------|--------|--------|--------|
| 250 VAC       |       | 15 A   | 15 A   | ---    |
| 125 VAC       |       | ---    | ---    | 0.1 A  |
| 30 VDC        |       | ---    | ---    | 0.1 A  |

#### CCC (GB14048.5)

| Rated voltage | Model | Z-15H□ | Z-15G□ | Z-01H□ |
|---------------|-------|--------|--------|--------|
| 250 VAC       |       | 15 A   | 15 A   | ---    |
| 125 VAC       |       | ---    | ---    | 0.1 A  |
| 30 VDC        |       | ---    | ---    | 0.1 A  |

### Characteristics

| Item   | Classification         | Z-15 (except micro load and flexible rod)   | Z-01H | Z-15 (flexible rod)   | Z-10F | Z-15H2  |
|--|------------------------|---|-------|---|-------|---|
| <b>Operating speed</b>                             |                        | 0.01 mm to 1 m/s *1   |       | 1 mm to 1 m/s   |       | 0.01 mm to 1 m/s  |
| <b>Operating frequency</b>                         | <b>Mechanical</b>      | 240 operations/min  |       | 120 operations/min  |       | 240 operations/min  |
|  | <b>Electrical</b>      | 20 operations/min   |       | 240 operations/min  |       | 240 operations/min  |
| <b>Insulation resistance</b>                       |                        | 100 MΩ min. (at 500 VDC)  |       |   |       |   |
| <b>Contact resistance</b>                          |                        | 15 mΩ max. (initial value)  |       | 50 mΩ max. (initial value)  |       | 15 mΩ max. (initial value)  |
| <b>Dielectric strength</b>                         |                        | Between contacts of same polarity<br>Contact gap G: 1,000 VAC, 50/60 Hz for 1 min<br>Contact gap H: 600 VAC, 50/60 Hz for 1 min<br>Contact gap E: 1,500 VAC, 50/60 Hz for 1 min |       | Between contacts of same polarity<br>Contact gap G: 1,000 VAC, 50/60 Hz for 1 min<br>Contact gap H: 600 VAC, 50/60 Hz for 1 min |       | Between contacts of same polarity<br>Contact gap F: 1,500 VAC, 50/60 Hz for 1 min |
|  |                        | Between current-carrying metal parts and ground, and between each terminal and non-current-carrying metal parts 2,000 VAC, 50/60 Hz for 1 min                                   |       |   |       | Between contacts of same polarity<br>600VAC, 50/60Hz for 1min                     |
| <b>Vibration resistance</b>                        | <b>Malfunction</b>     | 10 to 55 Hz, 1.5-mm double amplitude *5   |       | 10 to 20 Hz, 1.5-mm double amplitude *5   |       | 10 to 55 Hz, 1.5-mm double amplitude *5   |
| <b>Shock resistance</b>                            | <b>Destruction</b>     | 1,000 m/s <sup>2</sup> max.   |       | 50 m/s <sup>2</sup> max. *5   |       | 300 m/s <sup>2</sup> max. *3 *5   |
|  | <b>Malfunction</b>     | 300 m/s <sup>2</sup> max. *2 *5   |       | 50 m/s <sup>2</sup> max. *5   |       | 100 m/s <sup>2</sup> max.   |
| <b>Durability</b>                                  | <b>Mechanical</b>      | Contact gap G, H: 20,000,000 operations min.<br>Contact gap E: 300,000 operations   |       | 1,000,000 operations min.   |       | 500,000 operations min. *1  |
|  | <b>Electrical</b>      | Contact gap G, H: 500,000 operations min.<br>Contact gap E: 100,000 operations min.   |       | 100,000 operations min.   |       | 500,000 operations min.   |
| <b>Degree of protection</b>                        | <b>General-purpose</b> | IP00  |       |   |       |   |
|  | <b>Drip-proof</b>      | Equivalent to IP62 (except terminals)   |       |   |       |   |
| <b>Degree of protection against electric shock</b> |                        | Class I   |       |   |       |   |
| <b>Proof tracking index (PTI)</b>                  |                        | 175   |       |   |       |   |
| <b>Ambient operating temperature</b>               | <b>General-purpose</b> | -25°C to 80°C (with no icing)   |       |   |       |   |
|  | <b>Drip-proof</b>      | -15°C to 80°C (with no icing)   |       |   |       |   |
| <b>Ambient operating humidity</b>                  | <b>General-purpose</b> | 35% to 85%RH  |       |   |       |   |
|  | <b>Drip-proof</b>      | 35% to 95%RH  |       |   |       |   |
| <b>Weight</b>                                      |                        | Approx. 22 to 58 g  |       | Approx. 42 to 48 g  |       | Approx. 34 to 61 g  |
|  |                        |   |       |   |       | Approx. 22 g  |

\*1. The values are for the plunger models. (For the lever models, the values are at the plunger section.) (Consult your OMRON representative for other models.)

\*2. The values are for the Z-15G pin plunger.

\*3. The values are for the Z-10FY-B.

\*4. The values are for the pin plunger. The durability for models other than the pin plunger is 10,000,000 min.

\*5. Malfunction: 1 ms max.

### Contacts Specification

| Item                  | Classification  | Z-15      | Z-01H           | Z-10F     |
|-----------------------|-----------------|-----------|-----------------|-----------|
| <b>Contacts</b>       | <b>Shape</b>    | Rivet     | Single crossbar | Rivet     |
|                       | <b>Material</b> | Silver    | Gold alloy      | Silver    |
| <b>Inrush current</b> | <b>NC</b>       | 30 A max. | 0.1 A max.      | 40 A max. |
|                       | <b>NO</b>       | 15 A max. | 0.1 A max.      | 20 A max. |

### Engineering Data

#### Mechanical Durability (Z-15G)



#### Electrical Durability (Z-15G)



## Structure

### Basic Models

#### Contact Form (SPDT)



Note: The Z-15GM is a reversible model and the NO and NC positions are reversed.

#### Molded Terminals



Note: The Z-15GM is a reversible model and the NO and NC positions are reversed.

### Structure

#### Drip-proof Construction

##### • Without Terminal Protective Cover



##### • With Terminal Protective Cover



Terminal protective covers are sold separately for maintenance purposes, which can be, however, used with the Z-□-B5V models only. For details, refer to page 22.

### Split-contact Models

#### Contact Form



Note: The NO and NC terminal arrangement is reversed for Models with reverse operation (Z-10FM).

#### Connection Example

##### Series Connection



##### Parallel Connection



### Maintained-contact Models

#### Contact Form





**Dimensions**

(Unit: mm)

**Mounting**

Use M4 screws with plane washers and spring washers to mount the Switch. Tighten each mounting screw securely to a torque of 1.18 to 1.47 N·m.



When mounting the Switch to a panel, use a tightening torque of 2.94 to 4.9 N·m for the hexagonal nuts on the actuator.

**Panel Mount Plunger**



**Panel Mount Roller Plunger**



**Basic Models** General-purpose **and Split-contact Models**

**Terminals**

| Basic Models  |  | Split-contact Models   |
|---|--|--|
| <p><b>Screw Terminals (-B)</b></p> <p>Appropriate terminal screw tightening torque: 0.78 to 1.18 N·m.</p> | <p><b>Solder Terminal (-A) ("A" is not included in the model numbers.)</b></p> | <p><b>Screw Terminals (Y-B)</b></p> <p>Appropriate terminal screw tightening torque: 0.49 to 0.78 N·m.<br/>Note: With reverse action models (Z-10FM), the positions of NO and NC terminals are reversed.</p> |
| <p>Note: With reverse action models (Z-15GM), the positions of NO and NC terminals are reversed.</p>      |  |  |

**Dimensions and Operating Characteristics**

The models, illustrations, and graphics are for screw-terminal models (-B). The "A" at the end of the model number for solder terminal models has been omitted. For details of the terminals, see above.

**Pin Plunger**

- Z-15G-B      Z-15E-B
- Z-15H2-B    Z-01H-B
- Z-15H-B      Z-10FY-B



| Operating Characteristics | Model   | Z-15G-B        | Z-15H2-B          | Z-15H-B        | Z-15E-B        | Z-01H-B     | Z-10FY-B       |
|---------------------------|---------|----------------|-------------------|----------------|----------------|-------------|----------------|
| Operating force           | OF      | 2.45 to 3.43 N | 1.96 to 2.5 N     | 1.96 to 2.75 N | 6.12 to 7.85 N | 2.45 N max. | 4.46 to 7.26 N |
| Release force             | RF min. | 1.12 N         | 1.12 N            | 1.12 N         | 1.12 N         | 0.78 N      | 1.12 N         |
| Pretravel                 | PT max. | 0.4 mm         | 0.3 mm            | 0.3 mm         | 0.8 mm         | 0.5 mm      | 0.8 mm         |
| Overtravel                | OT min. | 0.13 mm        | 0.13 mm           | 0.13 mm        | 0.13 mm        | 0.13 mm     | 0.13 mm        |
| Movement Differential     | MD max. | 0.05 mm        | 0.005 to 0.008 mm | 0.025 mm       | 0.13 mm        | 0.04 mm     | 0.1 mm         |
| Operating Position        | OP      | 15.9 ± 0.4 mm  |                   |                |                |             |                |

**Slim Spring Plunger**

- Z-15GS-B      Z-01HS-B
- Z-15HS-B      Z-10FSY-B



|         | Z-15GS-B       | Z-15HS-B       | Z-01HS      | Z-10FSY-B      |
|---------|----------------|----------------|-------------|----------------|
| OF      | 2.45 to 3.43 N | 1.96 to 2.79 N | 2.45 N max. | 4.46 to 7.26 N |
| RF min. | 1.12 N         | 1.12 N         | 0.78 N      | 1.12 N         |
| PT max. | 0.4 mm         | 0.3 mm         | 0.5 mm      | 0.8 mm         |
| OT min. | 1.6 mm         | 1.6 mm         | 1.6 mm      | 1.6 mm         |
| MD max. | 0.05 mm        | 0.025 mm       | 0.05 mm     | 0.1 mm         |
| OP      | 28.2 ± 0.5 mm  |                |             |                |

Note: Unless otherwise specified, a tolerance of ±0.4 mm applies to all dimensions.

**Short Spring Plunger**

- Z-15GD-B    Z-01HD-B
- Z-15HD-B    Z-10FDY-B
- Z-15ED-B



|         | Z-15GD-B       | Z-15HD-B       | Z-15ED-B       | Z-01HD-B    | Z-10FDY-B      |
|---------|----------------|----------------|----------------|-------------|----------------|
| OF      | 2.45 to 3.43 N | 1.96 to 2.79 N | 6.13 to 7.85 N | 2.45 N max. | 4.46 to 7.26 N |
| RF min. | 1.12 N         | 1.12 N         | 1.12 N         | 0.78 N      | 1.12 N         |
| PT max. | 0.4 mm         | 0.3 mm         | 0.8 mm         | 0.5 mm      | 0.8 mm         |
| OT min. | 1.6 mm         | 1.6 mm         | 1.6 mm         | 1.6 mm      | 1.6 mm         |
| MD max. | 0.05 mm        | 0.025 mm       | 0.13 mm        | 0.05 mm     | 0.1 mm         |
| OP      | 21.5±0.5 mm    |                |                |             |                |

**Panel Mount Plunger**

- Z-15GQ-B    Z-01HQ-B
- Z-15HQ-B    Z-10FQY-B
- Z-15EQ-B    Z-15GQ3-B \*
- Z-15GQ8-B \*



\* The external dimensions of the actuator vary.



- \*1. Stainless-steel plunger
- \*2. Two hexagonal nuts (2 t × 14 width across flats)
- \*3. Two lock nuts (2 t × 15.6 width across flats)
- \*4. Incomplete screw part with a maximum length of 1.5 mm.

- Note: 1. Do not use the M12 mounting screw and the case mounting hole at the same time, or excessive pulling force will be imposed on the switch and the case and cover may be damaged.
2. On the model Z-15GQ3-B, PT can be set to a value larger than that for the Z-15GQ.
3. On the model Z-15GQ8-B, operating position can be adjusted by providing a screw in the plunger section.
4. On the model Z-15GQ8-B, the M3 hole with a depth of 10 mm is a through hole. Take precautions so that no water or screw lock agent penetrates into the hole.

|         | Z-15GQ-B       | Z-15HQ-B       | Z-15EQ-B       | Z-01HQ-B    | Z-10FQY-B      | Z-15GQ3-B      | Z-15GQ8-B      |
|---------|----------------|----------------|----------------|-------------|----------------|----------------|----------------|
| OF      | 2.45 to 3.43 N | 1.96 to 2.79 N | 6.13 to 7.85 N | 2.45 N max. | 4.46 to 7.26 N | 2.45 to 3.43 N | 2.45 to 3.43 N |
| RF min. | 1.12 N         | 1.12 N         | 1.12 N         | 0.78 N      | 1.12 N         | 1.12 N         | 1.12 N         |
| PT max. | 0.4 mm         | 0.3 mm         | 0.8 mm         | 0.5 mm      | 0.8 mm         | 4.2 mm         | 0.5 mm         |
| OT min. | 5.5 mm         | 5.5 mm         | 5.5 mm         | 5.5 mm      | 5.5 mm         | 2.5 mm         | 5.5 mm         |
| MD max. | 0.05 mm        | 0.025 mm       | 0.13 mm        | 0.05 mm     | 0.1 mm         | 2.2 mm         | 0.05 mm        |
| OP      | 21.8±0.8 mm    |                |                |             |                | 18.8±0.8 mm    | 32.5±1 mm      |

**Panel Mount Roller Plunger**

- Z-15GQ22-B    Z-15EQ22-B
- Z-15HQ22-B    Z-10FQ22Y-B



- \*1. Stainless-steel roller
- \*2. Two hexagonal nuts (3 t × 17 width across flats)
- \*3. Incomplete screw part with a maximum length of 1.5 mm.

Note: Do not use the M12 mounting screw and the case mounting hole at the same time, or the case may be damaged.

|         | Z-15GQ22-B     | Z-15HQ22-B     | Z-15EQ22-B     | Z-10FQ22Y-B    |
|---------|----------------|----------------|----------------|----------------|
| OF      | 2.45 to 3.43 N | 1.96 to 2.79 N | 6.13 to 7.85 N | 4.46 to 7.26 N |
| RF min. | 1.12 N         | 1.12 N         | 1.12 N         | 1.12 N         |
| PT max. | 0.4 mm         | 0.3 mm         | 0.8 mm         | 1 mm           |
| OT min. | 3.58 mm        | 3.58 mm        | 3.58 mm        | 3.55 mm        |
| MD max. | 0.05 mm        | 0.025 mm       | 0.13 mm        | 0.1 mm         |
| OP      | 33.4±1.2 mm    |                |                |                |

Note: Unless otherwise specified, a tolerance of ±0.4 mm applies to all dimensions.

**Panel Mount Cross Roller Plunger**

Z-15GQ21-B Z-15EQ21-B  
Z-15HQ21-B



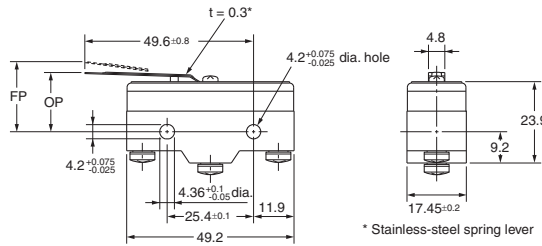
|         | Z-15GQ21-B     | Z-15HQ21-B     |
|---------|----------------|----------------|
| OF      | 2.45 to 3.43 N | 1.96 to 2.79 N |
| RF min. | 1.12 N         | 1.12 N         |
| PT max. | 0.4 mm         | 0.3 mm         |
| OT min. | 3.58 mm        | 3.58 mm        |
| MD max. | 0.05 mm        | 0.025 mm       |
| OP      | 33.4±1.2 mm    |                |

|         | Z-15EQ21-B     |
|---------|----------------|
| OF      | 6.13 to 7.85 N |
| RF min. | 1.12 N         |
| PT max. | 0.8 mm         |
| OT min. | 3.58 mm        |
| MD max. | 0.13 mm        |
| OP      | 33.4±1.2 mm    |

Note: Do not use the M12 mounting screw and the case mounting hole at the same time, or the case may be damaged.

**Leaf Spring**

Z-15GL-B

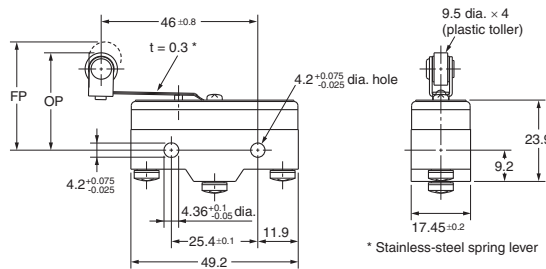


|          |             |
|----------|-------------|
| OF max.  | 1.38 N      |
| RF min.  | 0.14 N      |
| OT *min. | 1.6 mm      |
| MD max.  | 1.3 mm      |
| FP max.  | 20.6 mm     |
| OP       | 17.4±0.8 mm |

\* When operating, be sure not to exceed 1.6 mm.

**Roller Leaf Spring**

Z-15GL2-B

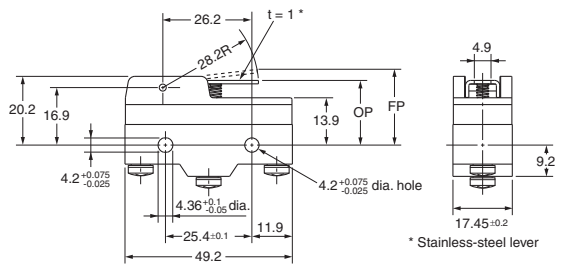


|          |             |
|----------|-------------|
| OF max.  | 1.38 N      |
| RF min.  | 0.14 N      |
| OT *min. | 1.6 mm      |
| MD max.  | 1.3 mm      |
| FP max.  | 31.8 mm     |
| OP       | 28.6±0.8 mm |

\* When operating, be sure not to exceed 1.6 mm.

**Short Hinge Lever**

Z-15GW21-B



|         |           |
|---------|-----------|
| OF max. | 1.57 N    |
| RF min. | 0.27 N    |
| OT min. | 2 mm      |
| MD max. | 1 mm      |
| FP max. | 24.8 mm   |
| OP      | 19±0.8 mm |

**Hinge Lever**

Z-15GW-B Z-15GW32-B

Z-15HW-B Z-10FWY-B

Z-15GW3-B (Lever Length: 56R)\*

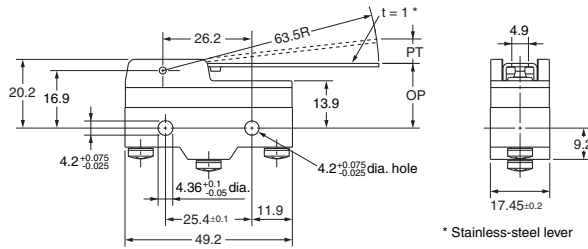


|         | Z-15GW-B    | Z-15HW-B    | Z-15GW32-B     | Z-10FWY-B   | Z-15GW3-B   |
|---------|-------------|-------------|----------------|-------------|-------------|
| OF      | 0.69 N max. | 0.66 N max. | 1.47 to 1.96 N | 0.88 N max. | 0.78 N max. |
| RF min. | 0.14 N      | 0.14 N      | 0.92 N         | 0.14 N      | 0.15 N      |
| OT min. | 5.6 mm      | 5.6 mm      | 5.6 mm         | 5.6 mm      | 4.8 mm      |
| MD max. | 1.27 mm     | 0.63 mm     | 1.27 mm        | 2.4 mm      | 1.12 mm     |
| FP max. | 28.2 mm     | 27.4 mm     | 28.2 mm        | 29.8 mm     | 27.2 mm     |
| OP      | 19±0.8 mm   |             |                |             |             |

\* The external dimensions of the actuator vary.

Note: Unless otherwise specified, a tolerance of ±0.4 mm applies to all dimensions.

**Low-force Hinge Lever**  
**Z-15GW4-B**



|                |          |
|----------------|----------|
| <b>OF max.</b> | 274 mN   |
| <b>RF min.</b> | 34.3 mN  |
| <b>PT max.</b> | 10 mm    |
| <b>OT min.</b> | 5.6 mm   |
| <b>MD max.</b> | 1.27 mm  |
| <b>OP</b>      | 19±0.8mm |

\* Stainless-steel lever

**Z-15HW24-B**



|                |             |
|----------------|-------------|
| <b>OF max.</b> | 58.8 mN     |
| <b>RF min.</b> | 4.90 mN     |
| <b>PT max.</b> | 19.8 mm     |
| <b>OT min.</b> | 10 mm       |
| <b>MD max.</b> | 2 mm        |
| <b>OP</b>      | 19.8±1.6 mm |

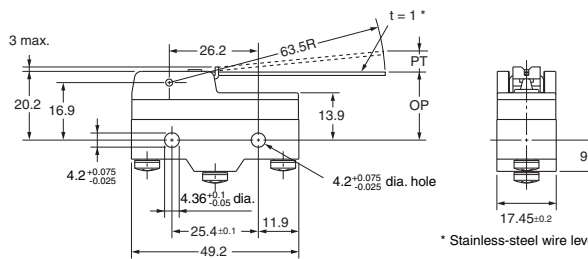
\* Stainless-steel lever

**Low-force Wire Hinge Lever**

**Z-15HW52-B**  
**Z-15HW78-B (Lever Length: 110R) \***



\* The external dimensions of the actuator vary.



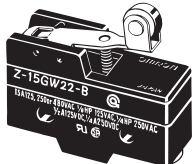
|                | <b>Z-15HW52-B</b> |
|----------------|-------------------|
| <b>OF max.</b> | 58.8 mN           |
| <b>RF min.</b> | 4.90 mN           |
| <b>PT max.</b> | 8.3 mm            |
| <b>OT min.</b> | 5.6 mm            |
| <b>MD max.</b> | 0.65 mm           |
| <b>OP</b>      | 19±1 mm           |

\* Stainless-steel wire lever

|                | <b>Z-15HW78-B</b> |
|----------------|-------------------|
| <b>OF max.</b> | 39.2 mN           |
| <b>RF min.</b> | 2.94 mN           |
| <b>PT max.</b> | 10 mm             |
| <b>OT min.</b> | 6 mm              |
| <b>MD max.</b> | 3 mm              |
| <b>OP</b>      | 20±1 mm           |

Note: AC electrical ratings: 10 A, 125/250 V.

**Short Hinge Roller Lever**  
**Z-15GW22-B Z-01HW22-B**  
**Z-15HW22-B Z-10FW22Y-B**  
**Z-15EW22-B**  
**Z-15GW2-B \* Z-15HW2-B \***  
**Z-10FW2Y-B \***



\* The external dimensions of the actuator vary. (Lever Length: 48.5R)



\* Stainless-steel lever

|                | <b>Z-15GW22-B</b> | <b>Z-15HW22-B</b> | <b>Z-15EW22-B</b> | <b>Z-01HW22-B</b> | <b>Z-10FW22Y-B</b> | <b>Z-15GW2-B</b> | <b>Z-15HW2-B</b> | <b>Z-10FW2Y-B</b> |
|----------------|-------------------|-------------------|-------------------|-------------------|--------------------|------------------|------------------|-------------------|
| <b>OF max.</b> | 1.57 N            | 1.47 N            | 1.94 N            | 1.57 N            | 2.45 N             | 0.98 N           | 0.84 N           | 1.27 N            |
| <b>RF min.</b> | 0.41 N            | 0.41 N            | 0.41 N            | 0.27 N            | 0.34 N             | 0.22 N           | 0.22 N           | 0.22 N            |
| <b>OT min.</b> | 2.4 mm            | 2.4 mm            | 2.4 mm            | 2.4 mm            | 2.4 mm             | 4 mm             | 4 mm             | 4 mm              |
| <b>MD max.</b> | 0.5 mm            | 0.45 mm           | 1.3 mm            | 0.5 mm            | 1 mm               | 1.02 mm          | 0.6 mm           | 2 mm              |
| <b>FP max.</b> | 32.5 mm           |                   | 35.1 mm           | 32.5 mm           | 34.8 mm            | 36.5 mm          |                  | 37.4 mm           |
| <b>OP</b>      | 30.2±0.4 mm       |                   | 30.2±0.4 mm       | 30.2±0.4 mm       | 30.2±0.4 mm        | 30.2±0.8 mm      |                  | 30.2±0.8 mm       |

Note: Unless otherwise specified, a tolerance of ±0.4 mm applies to all dimensions.

**Short Hinge Cross Roller Lever**

**Z-15GW49-B**

**Z-15GW54-B (Lever Length: 48.7R) \***



|                | Z-15GW49-B | Z-15GW54-B |
|----------------|------------|------------|
| <b>OF max.</b> | 1.67 N     | 0.98 N     |
| <b>RF min.</b> | 0.41 N     | 0.22 N     |
| <b>OT min.</b> | 2.4 mm     | 4 mm       |
| <b>MD max.</b> | 0.51 mm    | 1 mm       |
| <b>FP max.</b> | 33.3 mm    | 37.3 mm    |
| <b>OP</b>      | 31±0.4 mm  | 31±0.8 mm  |

\* The external dimensions of the actuator vary.

\* Stainless-steel lever

**Hinge Roller Lever**

**Z-15GW25-B**



|                |             |
|----------------|-------------|
| <b>OF max.</b> | 0.98 N      |
| <b>RF min.</b> | 0.21 N      |
| <b>OT min.</b> | 4 mm        |
| <b>MD max.</b> | 1.6 mm      |
| <b>FP max.</b> | 47.5 mm     |
| <b>OP</b>      | 41.2±0.8 mm |

\* Stainless-steel lever

**Unidirectional Short Hinge Roller Lever**

**Z-15GW2277-B**



|                |             |
|----------------|-------------|
| <b>OF max.</b> | 1.67 N      |
| <b>RF min.</b> | 0.41 N      |
| <b>OT min.</b> | 2.4 mm      |
| <b>MD max.</b> | 0.51 mm     |
| <b>FP max.</b> | 43.6 mm     |
| <b>OP</b>      | 41.3±0.8 mm |

\* Stainless-steel lever

**Reverse Hinge Lever \*\***

**Z-15GM-B**



|                |           |
|----------------|-----------|
| <b>OF max.</b> | 1.67 N    |
| <b>RF min.</b> | 0.27 N    |
| <b>OT min.</b> | 5.6 mm    |
| <b>MD max.</b> | 0.89 mm   |
| <b>FP max.</b> | 23.8 mm   |
| <b>OP</b>      | 19±0.8 mm |

\* Stainless-steel lever

**Reverse Short Hinge Roller Lever \*\***

**Z-15GM22-B**

**Z-10FM22Y-B**



|                | Z-15GM22-B  | Z-10FM22Y-B |
|----------------|-------------|-------------|
| <b>OF max.</b> | 5.28 N      | 6.37 N      |
| <b>RF min.</b> | 1.67 N      | 1.67 N      |
| <b>OT min.</b> | 2 mm        | 2 mm        |
| <b>MD max.</b> | 0.28 mm     | 0.56mm      |
| <b>FP max.</b> | 31.8 mm     | 33 mm       |
| <b>OP</b>      | 29.4±0.4 mm | 29.4±0.4 mm |

\* Stainless-steel lever

**Reverse Hinge Roller Lever \*\***

**Z-15GM2-B**



|                |             |
|----------------|-------------|
| <b>OF max.</b> | 2.35 N      |
| <b>RF min.</b> | 0.55 N      |
| <b>OT min.</b> | 4 mm        |
| <b>MD max.</b> | 0.64 mm     |
| <b>FP max.</b> | 35 mm       |
| <b>OP</b>      | 30.2±0.8 mm |

\* Stainless-steel lever

\*\* The pin plungers of reverse-type models are continuously pressed by the actuator levers with compression coil springs and the pin plungers are freed by operating the levers. Reverse-type models are highly vibration- and shock-resistant because the pin plungers are normally pressed.

Note: Unless otherwise specified, a tolerance of ±0.4 mm applies to all dimensions.

**Basic Models (Drip-proof) without Terminal Protective Cover**

**Terminals** (Molded Terminals: Refer to page 21.)

**Without Terminal Protective Cover**



Note: With reverse action models (Z-15GM), the positions of NO and NC terminals are reversed.

**Dimensions and Operating Characteristics**

The above illustration is for model without terminal protective cover.

**Pin Plunger**

**Z-15G55-B**  
**Z-01H55-B**



|                | Z-15G55-B      | Z-01H55-B   |
|----------------|----------------|-------------|
| <b>OF</b>      | 2.45 to 4.22 N | 3.43 N max. |
| <b>RF min.</b> | 1.12 N         | 0.78 N      |
| <b>PT max.</b> | 2.2 mm         | 2.2 mm      |
| <b>OT min.</b> | 0.13 mm        | 0.13 mm     |
| <b>MD max.</b> | 0.06 mm        | 0.06 mm     |
| <b>OP</b>      | 15.9 ± 0.4 mm  |             |

**Short Spring Plunger**

**Z-15GD55-B**  
**Z-01HD55-B**



|                | Z-15GD55-B    | Z-01HD55-B |
|----------------|---------------|------------|
| <b>OF max.</b> | 5.30 N        | 3.63 N     |
| <b>RF min.</b> | 1.12 N        | 0.78 N     |
| <b>PT max.</b> | 1.8 mm        | 1.9 mm     |
| <b>OT min.</b> | 1.6 mm        | 1.6 mm     |
| <b>MD max.</b> | 0.06 mm       | 0.06 mm    |
| <b>OP</b>      | 21.5 ± 0.5 mm |            |

**Spring Plunger**

**Z-15GK55-B**



|                |               |
|----------------|---------------|
| <b>OF max.</b> | 5.30 N        |
| <b>RF min.</b> | 1.12 N        |
| <b>PT max.</b> | 2.3 mm        |
| <b>OT min.</b> | 1.6 mm        |
| <b>MD max.</b> | 0.06 mm       |
| <b>OP</b>      | 28.2 ± 0.5 mm |

**Z-15GK355-B**



|                |               |
|----------------|---------------|
| <b>OF max.</b> | 5.30 N        |
| <b>RF min.</b> | 1.12 N        |
| <b>PT max.</b> | 2.4 mm        |
| <b>OT min.</b> | 3.5 mm        |
| <b>MD max.</b> | 0.06 mm       |
| <b>OP</b>      | 37.8 ± 1.2 mm |

Note: Unless otherwise specified, a tolerance of ±0.4 mm applies to all dimensions.

**Panel Mount Plunger**  
**Z-15GQ55-B**



- \*1. Stainless-steel plunger
- \*2. Two hexagonal nuts (2 t × 14 width across flats)
- \*3. Two lock nuts (2 t × 15.6 width across flats)
- \*4. Incomplete screw part with a maximum length of 1.5 mm.

|                |             |
|----------------|-------------|
| <b>OF max.</b> | 5.30 N      |
| <b>RF min.</b> | 1.12 N      |
| <b>PT max.</b> | 1.8 mm      |
| <b>OT min.</b> | 5.5 mm      |
| <b>MD max.</b> | 0.06 mm     |
| <b>OP</b>      | 21.8±0.8 mm |

Note: Do not use the M12 mounting screw and the case mounting hole at the same time, or the case may be damaged.

**Panel Mount Roller Plunger**  
**Z-15GQ2255-B**



- \*1. Stainless-steel roller
- \*2. Two hexagonal nuts (3 t × 17 width across flats)
- \*3. Incomplete screw part with a maximum length of 1.5 mm.

|                |             |
|----------------|-------------|
| <b>OF max.</b> | 5.30 N      |
| <b>RF min.</b> | 1.12 N      |
| <b>PT max.</b> | 1.8 mm      |
| <b>OT min.</b> | 3.58 mm     |
| <b>MD max.</b> | 0.06 mm     |
| <b>OP</b>      | 33.4±1.2 mm |

Note: Do not use the M12 mounting screw and the case mounting hole at the same time, or the case may be damaged.

**Panel Mount Cross Roller Plunger**  
**Z-15GQ2155-B**



- \*1. Stainless-steel roller
- \*2. Two hexagonal nuts (3 t × 17 width across flats)
- \*3. Incomplete screw part with a maximum length of 1.5 mm.

|                |             |
|----------------|-------------|
| <b>OF max.</b> | 5.30 N      |
| <b>RF min.</b> | 1.12 N      |
| <b>PT max.</b> | 1.8 mm      |
| <b>OT min.</b> | 3.58 mm     |
| <b>MD max.</b> | 0.06 mm     |
| <b>OP</b>      | 33.4±1.2 mm |

Note: Do not use the M12 mounting screw and the case mounting hole at the same time, or the case may be damaged.

**Leaf Spring**  
**Z-15GL55-B**



|                 |             |
|-----------------|-------------|
| <b>OF max.</b>  | 1.96 N      |
| <b>RF min.</b>  | 0.14 N      |
| <b>OT *min.</b> | 1.6 mm      |
| <b>MD max.</b>  | 1.3 mm      |
| <b>FP max.</b>  | 20.6 mm     |
| <b>OP</b>       | 17.5±0.8 mm |

\* When operating, be sure not to exceed 1.6 mm.

Note: Unless otherwise specified, a tolerance of ±0.4 mm applies to all dimensions.

**Roller Leaf Spring**  
**Z-15GL255-B**



|                 |             |
|-----------------|-------------|
| <b>OF max.</b>  | 1.96 N      |
| <b>RF min.</b>  | 0.14 N      |
| <b>OT *min.</b> | 1.6 mm      |
| <b>MD max.</b>  | 1.3 mm      |
| <b>FP max.</b>  | 31.8 mm     |
| <b>OP</b>       | 28.6±0.8 mm |

\* When operating, be sure not to exceed 1.6 mm.

**Short Hinge Lever**  
**Z-15GW2155-B**



|                |           |
|----------------|-----------|
| <b>OF max.</b> | 1.86 N    |
| <b>RF min.</b> | 0.27 N    |
| <b>OT min.</b> | 2 mm      |
| <b>MD max.</b> | 1 mm      |
| <b>FP max.</b> | 25 mm     |
| <b>OP</b>      | 19±0.8 mm |

\* Stainless-steel lever

**Long Hinge Lever**  
**Z-15GW4455-B**



|                |           |
|----------------|-----------|
| <b>OF max.</b> | 0.88 N    |
| <b>RF min.</b> | 0.14 N    |
| <b>OT min.</b> | 5.6 mm    |
| <b>MD max.</b> | 3.5 mm    |
| <b>FP max.</b> | 33 mm     |
| <b>OP</b>      | 19±1.2 mm |

\* Stainless-steel lever

**Hinge Lever**  
**Z-15GW55-B**



|                |           |
|----------------|-----------|
| <b>OF max.</b> | 0.98 N    |
| <b>RF min.</b> | 0.14 N    |
| <b>OT min.</b> | 5.6 mm    |
| <b>MD max.</b> | 2 mm      |
| <b>FP max.</b> | 28.2 mm   |
| <b>OP</b>      | 19±0.8 mm |

\* Stainless-steel lever

**Short Hinge Roller Lever**  
**Z-15GW2255-B**  
**Z-01HW2255-B**



|                | Z-15GW2255-B | Z-01HW2255-B |
|----------------|--------------|--------------|
| <b>OF max.</b> | 1.96 N       | 1.96 N       |
| <b>RF min.</b> | 0.41 N       | 0.27 N       |
| <b>OT min.</b> | 2.4 mm       | 2.4 mm       |
| <b>MD max.</b> | 0.8 mm       | 0.8 mm       |
| <b>FP max.</b> | 32.9 mm      |              |
| <b>OP</b>      | 30.2±0.4 mm  |              |

\* Stainless-steel lever

Note: Unless otherwise specified, a tolerance of ±0.4 mm applies to all dimensions.



**Hinge Roller Lever**  
**Z-15GW255-B**



|                |             |
|----------------|-------------|
| <b>OF max.</b> | 1.27 N      |
| <b>RF min.</b> | 0.21 N      |
| <b>OT min.</b> | 4 mm        |
| <b>MD max.</b> | 1.6 mm      |
| <b>FP max.</b> | 36.5 mm     |
| <b>OP</b>      | 30.2±0.8 mm |

**Unidirectional Short Hinge Roller Lever**  
**Z-15GW227755-B**



|                |             |
|----------------|-------------|
| <b>OF max.</b> | 1.77 N      |
| <b>RF min.</b> | 0.49 N      |
| <b>OT min.</b> | 2.4 mm      |
| <b>MD max.</b> | 0.8 mm      |
| <b>FP max.</b> | 43.6 mm     |
| <b>OP</b>      | 41.3±0.8 mm |

**Reverse Hinge Lever \***  
**Z-15GM55-B**



|                |           |
|----------------|-----------|
| <b>OF max.</b> | 1.96 N    |
| <b>RF min.</b> | 0.27 N    |
| <b>OT min.</b> | 5.6 mm    |
| <b>MD max.</b> | 0.89 mm   |
| <b>FP max.</b> | 23.8 mm   |
| <b>OP</b>      | 19±0.8 mm |

**Reverse Short Hinge Roller Lever \***  
**Z-15GM2255-B**



|                |             |
|----------------|-------------|
| <b>OF max.</b> | 5.69 N      |
| <b>RF min.</b> | 1.67 N      |
| <b>OT min.</b> | 2 mm        |
| <b>MD max.</b> | 0.28 mm     |
| <b>FP max.</b> | 31.8 mm     |
| <b>OP</b>      | 29.4±0.4 mm |

**Reverse Hinge Roller Lever \***  
**Z-15GM255-B**



|                |             |
|----------------|-------------|
| <b>OF max.</b> | 2.65 N      |
| <b>RF min.</b> | 0.55 N      |
| <b>OT min.</b> | 4 mm        |
| <b>MD max.</b> | 0.64 mm     |
| <b>FP max.</b> | 35 mm       |
| <b>OP</b>      | 30.2±0.8 mm |

\* The pin plungers of reverse-type models are continuously pressed by the actuator levers with compression coil springs and the pin plungers are freed by operating the levers.

Note: Unless otherwise specified, a tolerance of ±0.4 mm applies to all dimensions.

**Flexible Rod (Coil Spring)**  
**Z-15GNJ55-B**



|                |         |
|----------------|---------|
| <b>OF max.</b> | 0.49 N  |
| <b>PT max.</b> | (20 mm) |
| <b>TT max.</b> | 40 mm   |

- \*1. Operation is possible in any direction other than the axial direction (indicated by the arrow ↓).
- \*2. Use only the area within the top 30 mm of the rod as the operating part. (Do not use the area that falls within 80 mm from the mounting hole as the operating part. Using this area may cause damage to the nylon rod.)

**Flexible Rod (Steel Wire)**  
**Z-15HNJS55-B**



|                |         |
|----------------|---------|
| <b>OF max.</b> | 0.15 N  |
| <b>PT max.</b> | (25 mm) |

- \*1. Operation is possible in any direction other than the axial direction (indicated by the arrow ↓).
- \*2. Use only the area within the top 30 mm of the rod as the operating part. (Do not use the area that falls within 100 mm from the mounting hole as the operating part. Using this area may cause damage to the steel wire.)
- \*3. The steel wire can be replaced if damaged. (Model: Lever for HNJS55)

Note: Unless otherwise specified, a tolerance of ±0.4 mm applies to all dimensions.

**Basic Models (Drip-proof) with Terminal Protective Cover**

**Dimensions and Operating Characteristics**

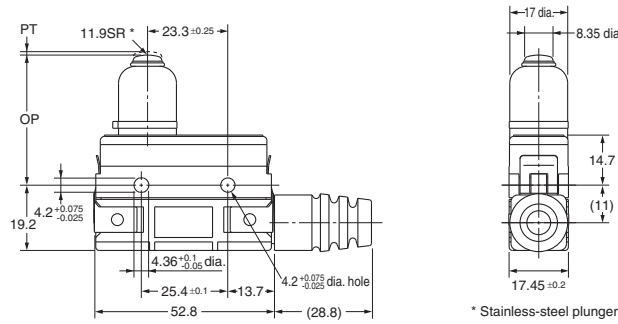
**Pin Plunger**

**Z-15GA55-B5V**



|                |                |
|----------------|----------------|
| <b>OF max.</b> | 2.45 to 4.22 N |
| <b>RF min.</b> | 1.12 N         |
| <b>PT max.</b> | 2.2 mm         |
| <b>OT min.</b> | 0.13 mm        |
| <b>MD max.</b> | 0.06 mm        |
| <b>OP</b>      | 15.9±0.4 mm    |

**Z-15GK3A55-B5V**



|                |             |
|----------------|-------------|
| <b>OF max.</b> | 5.30 N      |
| <b>RF min.</b> | 1.12 N      |
| <b>PT max.</b> | 2.4 mm      |
| <b>OT min.</b> | 3.5 mm      |
| <b>MD max.</b> | 0.06 mm     |
| <b>OP</b>      | 37.8±1.2 mm |

**Panel Mount Plunger**

**Z-15GQA55-B5V**



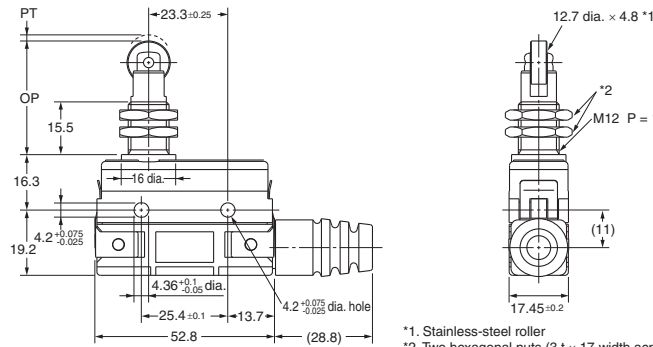
|                |             |
|----------------|-------------|
| <b>OF max.</b> | 5.30 N      |
| <b>RF min.</b> | 1.12 N      |
| <b>PT max.</b> | 1.8 mm      |
| <b>OT min.</b> | 5.5 mm      |
| <b>MD max.</b> | 0.06 mm     |
| <b>OP</b>      | 21.8±0.8 mm |

Note: Do not use the M12 mounting screw and the case mounting hole at the same time, or the case may be damaged.

- \*1. Stainless-steel plunger
- \*2. Two hexagonal nuts (2 t × 14 width across flat)
- \*3. Two lock nuts (2 t × 15.6 width across flats)

**Panel Mount Roller Plunger**

**Z-15GQ22A55-B5V**



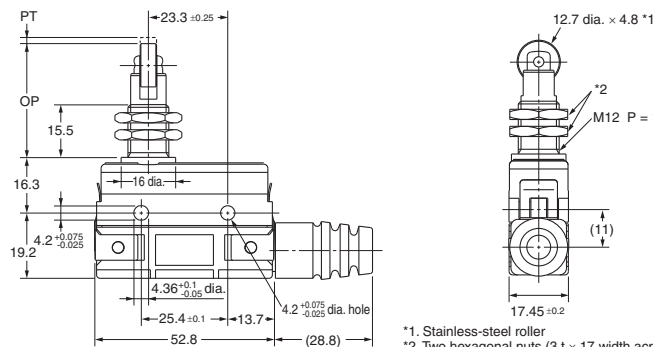
|                |             |
|----------------|-------------|
| <b>OF max.</b> | 5.30 N      |
| <b>RF min.</b> | 1.12 N      |
| <b>PT max.</b> | 1.8 mm      |
| <b>OT min.</b> | 3.58 mm     |
| <b>MD max.</b> | 0.06 mm     |
| <b>OP</b>      | 33.4±1.2 mm |

Note: Do not use the M12 mounting screw and the case mounting hole at the same time, or the case may be damaged.

- \*1. Stainless-steel roller
- \*2. Two hexagonal nuts (3 t × 17 width across flats)

**Panel Mount Cross-roller Plunger**

**Z-15GQ21A55-B5V**



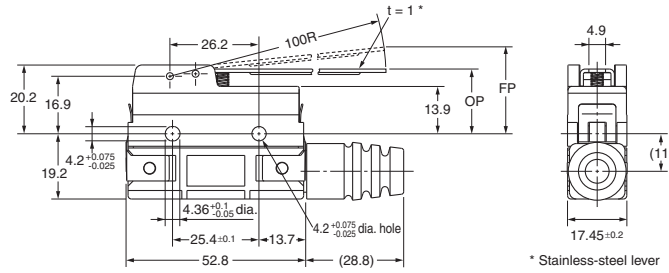
|                |             |
|----------------|-------------|
| <b>OF max.</b> | 5.30 N      |
| <b>RF min.</b> | 1.12 N      |
| <b>PT max.</b> | 1.8 mm      |
| <b>OT min.</b> | 3.58 mm     |
| <b>MD max.</b> | 0.06 mm     |
| <b>OP</b>      | 33.4±1.2 mm |

Note: Do not use the M12 mounting screw and the case mounting hole at the same time, or the case may be damaged.

- \*1. Stainless-steel roller
- \*2. Two hexagonal nuts (3 t × 17 width across flats)

Note: Unless otherwise specified, a tolerance of ±0.4 mm applies to all dimensions.

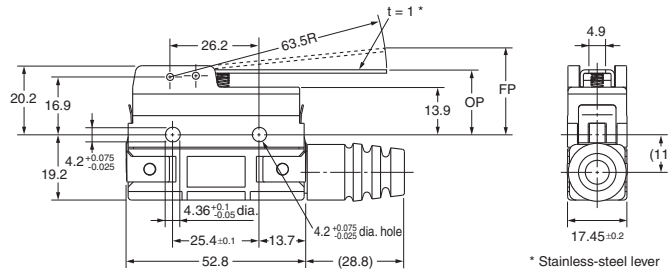
**Long Hinge Lever**  
**Z-15GW44A55-B5V**



|                |           |
|----------------|-----------|
| <b>OF max.</b> | 0.88 N    |
| <b>RF min.</b> | 0.14 N    |
| <b>OT min.</b> | 5.6 mm    |
| <b>MD max.</b> | 3.5 mm    |
| <b>FP max.</b> | 33 mm     |
| <b>OP</b>      | 19±1.2 mm |

\* Stainless-steel lever

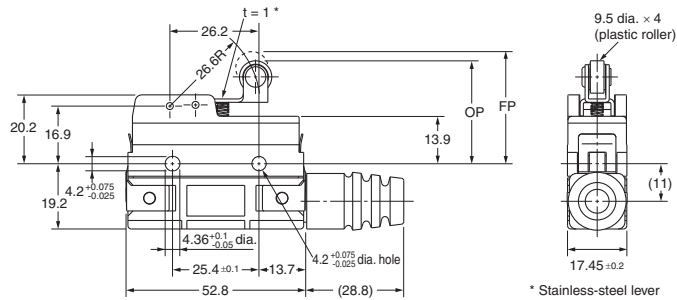
**Hinge Lever**  
**Z-15GWA55-B5V**



|                |           |
|----------------|-----------|
| <b>OF max.</b> | 0.98 N    |
| <b>RF min.</b> | 0.14 N    |
| <b>OT min.</b> | 5.6 mm    |
| <b>MD max.</b> | 2 mm      |
| <b>FP max.</b> | 28.2 mm   |
| <b>OP</b>      | 19±0.8 mm |

\* Stainless-steel lever

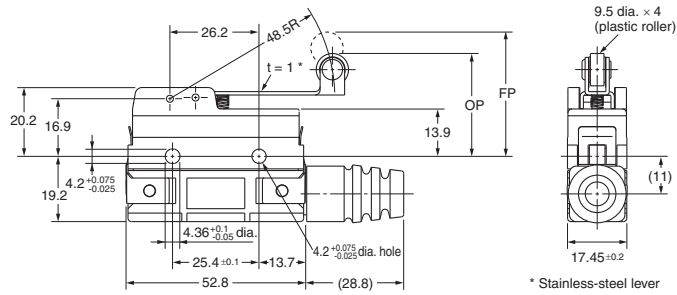
**Short Hinge Roller Lever**  
**Z-15GW22A55-B5V**



|                |             |
|----------------|-------------|
| <b>OF max.</b> | 1.96 N      |
| <b>RF min.</b> | 0.41 N      |
| <b>OT min.</b> | 2.4 mm      |
| <b>MD max.</b> | 0.8 mm      |
| <b>FP max.</b> | 32.9 mm     |
| <b>OP</b>      | 30.2±0.4 mm |

\* Stainless-steel lever

**Hinge Roller Lever**  
**Z-15GW2A55-B5V**



|                |             |
|----------------|-------------|
| <b>OF max.</b> | 1.27 N      |
| <b>RF min.</b> | 0.21 N      |
| <b>OT min.</b> | 4 mm        |
| <b>MD max.</b> | 1.6 mm      |
| <b>FP max.</b> | 36.5 mm     |
| <b>OP</b>      | 30.2±0.8 mm |

\* Stainless-steel lever

**Unidirectional Short Hinge Roller Lever**  
**Z-15GW2277A55-B5V**



|                |             |
|----------------|-------------|
| <b>OF max.</b> | 1.77 N      |
| <b>RF min.</b> | 0.49 N      |
| <b>OT min.</b> | 2.4 mm      |
| <b>MD max.</b> | 0.8 mm      |
| <b>FP max.</b> | 43.6 mm     |
| <b>OP</b>      | 41.3±0.8 mm |

\* Stainless-steel lever

Note: Unless otherwise specified, a tolerance of ±0.4 mm applies to all dimensions.

**Basic Models** (Drop-proof) with Modeled terminals

**Molded Terminals**

L/R Type (The following illustration is the R type.)

D Type



| Size (mm)<br>Lead wire | a  | b  | c  |
|------------------------|----|----|----|
| VSF                    | 12 | 4  | 13 |
| VCT                    | 19 | 11 | 20 |



| Size (mm)<br>Lead wire | a  | b  | c  |
|------------------------|----|----|----|
| VSF                    | 12 | 4  | 12 |
| VCT                    | 19 | 11 | 16 |

**Lead Wire Specifications**

| Lead wire                     | Specifications | Nominal cross sectional area (mm <sup>2</sup> ) | Finished outer diameter (mm)  | Connection to terminal | Length (m) |
|-------------------------------|----------------|---|-------------------------------|------------------------|------------|
| VSF (single-core, vinyl cord) |                | 1.25  | Approx. 3.1 dia.              | Black: COM             | 1, 3       |
| VCT (vinyl-insulated cable)   |                |   | Three-core: approx. 10.5 dia. | White: NO<br>Red: NC   |            |

Note: 1. No models with molded terminals are approved by UL, CSA, or EN.  
2. Molded terminals are not available on all models. Contact your OMRON representative for applicable products.

**Maintained-contact Models**

**Dimensions and Operating Characteristics**

**Pin Plunger**

Z-15ER



\*1. Stainless steel plunger  
\*2. Plastic plunger

**Plunger**

|         |                |
|---------|----------------|
| OF max. | 1.96 to 2.50 N |
| PT max. | 0.4 mm         |
| OT min. | 0.13 mm        |
| OP      | 15.9±0.4 mm    |

**Reset Button**

|         |                |
|---------|----------------|
| OF max. | 0.55 to 2.79 N |
| OT min. | 0.4 mm         |

**Slim Spring Plunger**

Z-15ESR



\*1. Stainless steel plunger (tip only, flat, R1 bevel).  
\*2. Plastic plunger

**Plunger**

|         |             |
|---------|-------------|
| OF max. | 2.65 N      |
| PT max. | 0.4 mm      |
| OT min. | 1.6 mm      |
| OP      | 28.2±0.5 mm |

**Reset Button**

|         |        |
|---------|--------|
| OF max. | 2.79 N |
| OT min. | 0.4 mm |

**Hinge Lever**

Z-15EWR



\*1. Stainless steel lever  
\*2. Plastic plunger

**Lever Tip**

|         |           |
|---------|-----------|
| OF max. | 0.54 N    |
| OT min. | 5.6 mm    |
| FP max. | 28.2 mm   |
| OP      | 19±0.8 mm |

**Reset Button**

|         |        |
|---------|--------|
| OF max. | 2.94 N |
| OT min. | 0.4 mm |

Note: Unless otherwise specified, a tolerance of ±0.4 mm applies to all dimensions.

## Accessories (Order Separately)

A Terminal Protective Cover, Actuators, and a Separator are available.

### Drip-proof Terminal Cover (Order Separately)

The Drip-proof Terminal Protective Cover is provided for maintenance for Z-□A55-B5V Switches.

### Ordering Information

| Name                                 | Model |
|--------------------------------------|-------|
| Drip-proof Terminal Protective Cover | AP-DV |

### Dimensions

(Unit: mm)



### Terminal Covers (Sold Separately)

The Terminal Covers can be attached to Z, A, X, and DZ Switches.

The Terminal Cover is secured with mounting screws and protects the casing and terminal wires from dust, vibration, or fingers, thus preventing terminal short-circuiting, ground faults, wire disconnection or improper connection, and electric shock accidents.

Terminal Covers made of phenol resin have five or six thin wall sections. These sections can be torn open for providing holes for lead cables at desired points.

A terminal cover can't be used in the case of using an actuator sold separately.

### Operation Information

| Material         | Application<br>Mounting direction | Soldering terminal use | Screw terminal use | Remarks                |
|------------------|-----------------------------------|------------------------|--------------------|------------------------|
|                  |                                   | Model                  |                    |                        |
| Phenol resin     | Side mounting                     | AP-A                   | AP-B               | ---                    |
| Metal press mold | Side mounting                     | AP1-A                  | AP1-B              | Used for AP-A and AP-B |
| Vinyl chloride   | Side mounting                     | AP-Z                   |                    | ---                    |

Note: Use a Terminal Cover for screw terminals for DZ-series Switches with soldering terminals.

### Separator (Sold Separately)

Use a Separator when it is difficult to provide a sufficient insulation distance or when using the Switch near metal parts or copper wires.

### Operation Information

| Model           |
|-----------------|
| SEPARATOR FOR Z |

**Dimensions (Unit: mm)**  
**Terminal Covers**

**AP-A**  
Soldering Terminal Use  
(Phenol Resin)



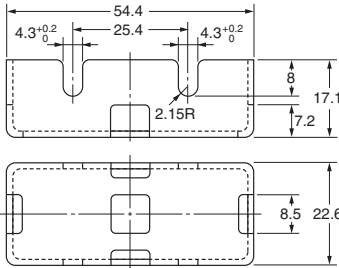
Note: The Cover has five thin, easy-to-separate portions for easy lead wire connections.

**AP-B**  
Screw Terminal Use  
(Phenol Resin)



Note: The Cover has six thin, easy-to-separate portions for easy lead wire connections.

**AP1-A**  
Soldering Terminal Use  
(Metal Press Mold)



Note: The Cover has five holes for easy lead wire connections.

**AP1-B**  
Screw Terminal Use  
(Metal Press Mold)



Note: The Cover has six holes for easy lead wire connections.

**AP-Z**  
Soldering or Screw Terminal Use  
(Vinyl Chloride)



**Cable Pull-out Dimension**



Note: A 6-dia. or 8-dia. cable can be used by cutting the cable pull-out hole to the size of the cable to be used.

Note: Each dimension has a tolerance of  $\pm 0.4$  mm unless otherwise specified. ( $\pm 0.8$  mm for the AP-Z)

**Separator**



Note: 1. Each dimension has a tolerance of  $\pm 0.4$  mm unless otherwise specified.  
2. The material is EAVTC (Epoxide Alkyd Varnished Tetron Cloth) and its heat-resisting temperature is 130°C.

**Actuators (Sold Separately)**

A Switch can be actuated by a cam or an appropriate object, in which case, use one of the following Actuators according to the application.

**Ordering Information**

| Actuator                   | Application   | Common to Z and X models |
|----------------------------|---|--------------------------|
| Hinge lever                |  | XAA-1                    |
| Hinge roller lever         |  | ZAA-2                    |
| Panel mount plunger        | Short   | ZAQ-3                    |
|                            | Medium  | ZAQ-2                    |
|                            | Long  | ZAQ-1                    |
| Panel mount roller plunger |  | ZAQ-22                   |

**Dimensions (Unit: mm) and Operating Characteristics**

**Note:** These Actuators are not provided with Switches.

**Hinge Lever  
XAA-1**



| Operating characteristics     | Model                   | Z-15G-B | X-10G-B |
|-------------------------------|-------------------------|---------|---------|
|                               | Operating force OF max. | 4.90 N  | 4.90 N  |
| Release force RF min.         | 1.67 N                  | 1.67 N  |         |
| Overtravel OT min.            | 12.7 mm                 | 12.7 mm |         |
| Movement Differential MD max. | 2.2 mm                  | 3.3 mm  |         |
| Free Position FP max.         | 32.9±1.6 mm             |         |         |
| Operating Position OP         | 28.9±1.6 mm             |         |         |

**Note:** This Actuator can be used with the Z-15G(-B) and X-10G(-B). When mounting the Switch, set the overtravel to between 32% and 100%, taking into consideration the operating body and the distance between the Actuator and the dog.

**Hinge Roller Lever  
ZAA-2**



|         | Z-15G-B     | X-10G-B |
|---------|-------------|---------|
| OF max. | 4.90 N      | 4.90 N  |
| RF min. | 1.67 N      | 1.67 N  |
| OT min. | 12.7 mm     | 12.7 mm |
| MD max. | 2.2 mm      | 3.3 mm  |
| FP max. | 44.5±1.6 mm |         |
| OP      | 40.4±1.6 mm |         |

**Note:** This Actuator can be used with the Z-15G(-B) and ZX-10G(-B). When mounting the Switch, set the overtravel to between 32% and 100%, taking into consideration the operating body and the distance between the Actuator and the dog.

**Short Panel Mount Plunger  
ZAQ-3**



|         | ZAQ-3       |         |
|---------|-------------|---------|
|         | Z-15E-B     | X-10G-B |
| OF max. | 8.34 N      | 5.39 N  |
| RF min. | 1.12 N      | 1.12 N  |
| PT max. | 0.8 mm      | 1 mm    |
| OT min. | 4.8 mm      | 4.5 mm  |
| MD max. | 0.15 mm     | 0.2 mm  |
| OP      | 27.8±1.5 mm |         |

**Note:** 1. This Actuator (pin plunger) can be used with Standard Pin Plungers (Z-15G(-B), Z-15E(-B), X-10G(-B), DZ-10G-1A(-1B)) for the Z, X, and DZ models.

**Note:** Each dimension has a tolerance of ±0.4 mm unless otherwise specified.



**Medium Panel Mount Plunger**  
**ZAQ-2**



|                | ZAQ-2       |         |
|----------------|-------------|---------|
|                | Z-15E-B     | X-10G-B |
| <b>OF max.</b> | 8.34 N      | 5.39 N  |
| <b>RF min.</b> | 1.12 N      | 1.12 N  |
| <b>PT max.</b> | 0.8 mm      | 1 mm    |
| <b>OT min.</b> | 4.8 mm      | 4.5 mm  |
| <b>MD max.</b> | 0.15 mm     | 0.2 mm  |
| <b>OP</b>      | 53.2±1.5 mm |         |

Note: This Actuator (pin plunger) can be used with Standard Pin Plungers (Z-15G(-B), Z-15E(-B), X-10G(-B), DZ-10G-1A(-1B)) for the Z, X, and DZ models.

- \*1. Stainless-steel pin plunger
- \*2. Copper alloy frame
- \*3. Incomplete screw section part with a maximum of 1.5 mm

**Long Panel Mount Plunger**  
**ZAQ-1**



|                | ZAQ-1       |         |
|----------------|-------------|---------|
|                | Z-15E-B     | X-10G-B |
| <b>OF max.</b> | 8.34 N      | 5.39 N  |
| <b>RF min.</b> | 1.12 N      | 1.12 N  |
| <b>PT max.</b> | 0.8 mm      | 1 mm    |
| <b>OT min.</b> | 20.6 mm     | 20.4 mm |
| <b>MD max.</b> | 0.15 mm     | 0.2 mm  |
| <b>OP</b>      | 69.1±1.5 mm |         |

Note: This Actuator (pin plunger) can be used with Standard Pin Plungers (Z-15G(-B), Z-15E(-B), X-10G(-B), DZ-10G-1A(-1B)) for the Z, X, and DZ models.

- \*1. Stainless-steel pin plunger
- \*2. Copper alloy frame
- \*3. Incomplete screw section part with a maximum of 1.5 mm

**Panel Mount Roller Plunger**  
**ZAQ-22**



|                | ZAQ-22    |             |
|----------------|-----------|-------------|
|                | Z-15E-B   | DZ-10G-1B   |
| <b>OF max.</b> | 8.34 N    | 11.1 N      |
| <b>RF min.</b> | 1.12 N    | 1.12 N      |
| <b>PT max.</b> | 2 mm      | 2 mm        |
| <b>OT min.</b> | 3.58 mm   | 1 mm        |
| <b>MD max.</b> | 0.15 mm   | 0.46 mm     |
| <b>OP</b>      | 37±0.8 mm | 35.4±1.2 mm |

Note: This Actuator (roller plunger) can be used with standard pin plungers (Z-15G(-B), Z-15E(-B), and DZ-10G-1A(-1B)). It cannot be used with X models.

- \*1. Stainless-steel pin plunger
- \*2. Steel frame
- \*3. Incomplete screw section part with a maximum of 1.5 mm

Note: Each dimension has a tolerance of ±0.4 mm unless otherwise specified.

## Safety Precautions

Refer to *Safety Precautions for All Basic Switches*.

### Precautions for Safe Use

#### Terminal Connection

When soldering lead wires to the Switch, make sure that the capacity of the soldering iron is 60 W maximum. Do not take more than 5 s to solder any part of the Switch. The characteristics of the Switch will deteriorate if a soldering iron with a capacity of more than 60 W is applied to any part of the Switch for 5 s or more.

#### Operation

- Make sure that the switching frequency or speed is within the specified range.
  - If the switching speed is extremely slow, the contact may not be switched smoothly, which may result in a contact failure or contact welding.
  - If the switching speed is extremely fast, switching shock may damage the Switch soon. If the switching frequency is too high, the contact may not catch up with the speed.

The rated permissible switching speed and frequency indicate the switching reliability of the Switch.  
The life of a Switch is determined at the specified switching speed. The life varies with the switching speed and frequency even when they are within the permissible ranges. In order to determine the life of a Switch model to be applied to a particular use, it is best to conduct an appropriate durability test on some samples of the model under actual conditions.
- Make sure that the actuator travel does not exceed the permissible OT position. The operating stroke must be set to 70% to 100% of the rated OT.

### Precautions for Correct Use

#### Mounting Location

- Do not use the switch alone in atmospheres such as flammable or explosive gases. Arcing and heat generation associated with switching may cause fires or explosions.
- Switches are generally not constructed with resistance against water. Use a protective cover to prevent direct spraying if the switch is used in locations subject to splashing or spurring oil or water, dust adhering.



- Install the switch in a location that is not directly subject to debris and dust from cutting. The actuator and the switch body must be protected from accumulated cutting debris and dirt.



- Do not use the switch in locations subject to hot water (greater than 60°C) or in water vapor.
- Do not use the switch outside the specified temperature and atmospheric conditions.  
The permissible ambient temperature depends on the model. (Refer to the specifications in this catalog.) Sudden thermal changes may cause thermal shock to distort the switch and result in faults.



- Mount a cover if the switch is to be installed in a location where worker inattention could result in incorrect operation or accidents.



- Subjecting the switch to continuous vibration or shock may result in contact failure or faulty operation due to abrasion powder and in reduced durability. Excessive vibration or shock will cause the contacts to operate malfunction or become damaged. Mount the switch in a location that is not subject to vibration or shock and in a direction that does not subject the switch to resonance.
- If silver contacts are used with relatively low frequency for a long time or are used with microloads, the sulfide coating produced on the contact surface will not be broken down and contact faults will result. Use a microload switch that uses gold contacts.
- Do not use the switch in atmospheres with high humidity or heat or in harmful gases, such as sulfide gas (H<sub>2</sub>S, SO<sub>2</sub>), ammonia gas (NH<sub>3</sub>), nitric acid gas (HNO<sub>3</sub>), or chlorine gas (Cl<sub>2</sub>). Doing so may impair functionality, such as with damage due to contacting faults or corrosion.
- The switch includes contacts. If the switch is used in an atmosphere with silicon gas, arc energy may cause silicon oxide (SiO<sub>2</sub>) to accumulate on the contacts and result in contact failure. If there is silicon oil, silicon filling, silicon wiring, or other silicon products in the vicinity of the switch, use a contact protection circuit to limit arcing and remove the source of the silicon gas.

#### Mounting

Always make sure that the power is turned OFF before mounting, removing, or wiring the Switch, or performing maintenance. Electric shock or burning may occur.

#### Selecting Models

We recommend using Drip-proof Models (protection equivalent to IP62) in locations subject to floating dirt and dust. Other models do not have a protective structure.

#### Wiring

- Use wire sizes that are suitable to the applied voltage and carried current.
- If you use a soldering iron to solder the wires, do not allow the tip of the soldering iron to exceed 380°C. If a Switch is used with insufficient soldering, abnormal heat and burning may occur.
- Solder for no more than 5 s at 350°C and for no more than 3 s at 380°C. If heat is applied for too long, the case may melt, the lead wire coverings may be scorched, and other characteristics of the Switch may deteriorate.

#### Tightening

The suitable tightening torque for screw terminals is given below.  
Screw terminals except for those on Split-contact Models (Z-10FY-B): 0.78 to 1.18 N·m  
Screw terminals on Split-contact Models (Z-10FY-B): 0.49 to 1.18 N·m

#### Operation

- Make sure that the switching speed and frequency are within the specified ranges.
  - If the switching speed is extremely slow, the contacts may not be switched smoothly, which may result in a contact failure or contact welding.

2. If the switching speed is extremely fast, switching shock may damage the Switch prematurely. If the switching frequency is too high, the contacts may not be able to keep up with the speed. The rated permissible switching speed and frequency indicate the switching reliability of the Switch.
- The life of a Switch is determined at the specified switching speed. The life varies with the switching speed and frequency even when they are within the permissible ranges. Always conduct appropriate durability tests under actual conditions before using a Switch.
- Make sure that the actuator travel does not exceed the permissible OT position. The operating stroke must be set to 70% to 100% of the rated OT.

### Panel Mount Switch (Z-15□□□, Z-01□□□)

- When mounting the panel mount plunger model with screws on a side surface, be careful of the dog angle and operation speed. Excessive dog angle or operation speed may damage the Switch.
- When using the panel mount plunger model mounted with screws on a side surface, be careful not to apply a large shock. Applying a shock exceeding 1,000 m/s<sup>2</sup> may damage the Switch.
- When using the panel mount plunger model mounted with screws on a side surface, remove the hexagonal nuts from the actuator.

### High-sensitivity Switch (Z-15H)

### Extra-high-sensitivity Switch (Z-15H2)

- When using the Switch in a DC circuit, be sure to provide an arc suppressor as well because the small contact gap of the Switch may result in contact troubles.
- In an application where a high repeat accuracy is required, limit the current that flows through the Switch to within 0.1 A. Also, use a relay to control a high-capacity load if the Switch is connected to such a load. (In this case, the exciting current of the relay coil is the load of the Switch.)
- Do not apply a force of 19.6 N or higher to the pin plunger.
- Exercise care that the environment conditions such as temperature and humidity do not change abruptly.

### Micro Load Applicable Range

Using a model for ordinary loads to open or close the contact of a micro load circuit may result in faulty contact. Use models that operate in the following range. However, even when using micro load models within the operating range shown here, if inrush current occurs when the contact is opened or closed, it may increase contact wear and so decrease durability. Therefore, insert a contact protection circuit where necessary.

The minimum applicable load is the N-level reference value. This value indicates the malfunction reference level for the reliability level of 60% ( $\lambda 60$ ). The equation,  $\lambda 60 = 0.5 \times 10^{-6} / \text{operations}$  indicates that the estimated malfunction rate is less than 1/2,000,000 operations with a reliability level of 60%.



|                         | Z-01H         | Z-15□, Z-10FY   |
|-------------------------|---------------|-----------------|
| Minimum applicable load | 1 mA at 5 VDC | 160 mA at 5 VDC |

### Models with Drip-proof Terminal Cover (Z-□A55-B5V)

#### Wiring

- To attach the Protective Cover to the case, hold the cover in almost parallel to the case and then push it to the case. If the cover is pushed diagonally, the rubber packing may slip off, degrading the sealability of the Switch.



- Use round solderless terminals having the following dimensions to connect leads to the terminals. Tighten the screws of terminals to a torque of 0.78 to 1.18 N·m. Use the terminal shown below.



- A cable 8.5 to 10.5 mm in diameter can be applicable to the sealing rubber of the lead outlet of the Switch. A two-core or three-core VCT cable having a cross-sectional area of 1.25 mm<sup>2</sup> is especially suitable for this.
- Use M4 small screws with spring toothed washer are used as the terminal screws.

### Drip-proof Switch (Z-□55)

- The Switch is not perfectly oil-tight; so do not dip it in oil or water.
- The rubber boots are made from weather-resistive chloroprene rubber.
- Do not use Basic Switches in places with radical changes in temperature.
- Rubber boots and rubber caps will tend to harden at lower ambient temperatures. If an Actuator is used in a pressed state for an extended period of time at low temperatures, it may return slowly or it may not return at all. OMRON can provide special Actuators for use at low temperature with rubber boots or rubber caps made of silicon rubber, which has superior resistance to cold. Ask your OMRON representative for details.

### Split-contact Switch (Z-10F□Y)

The applicable current varies depending on how the contacts are used. If the Switch is connected in series, the Switch can endure a current 1.5 to 2 times higher than the current that can be applied in parallel connection.

### Flexible Rod Switch (Z-15□NJ□55, Drip-proof)

- When the rod is fully swung, the Switch may operate when the lever returns, causing chattering. Use a circuit that compensates for chattering wherever possible.
- Do not switch the rod to the fullest extent when the Switch is to break a power circuit because such a practice may cause metal deposition to occur between the mating contacts of the Switch.

### Other Precautions

- Do not apply excessive force with a screwdriver or other tool when attaching or removing the Protective Cover. Doing so may deform the Switch.



- The Drip-proof Terminal Protective Cover can be used only with Switches with model numbers ending in "-B5V."
- Only the Terminal Protective Cover is available for maintenance.

## Terms and Conditions Agreement

### Read and understand this catalog.

Please read and understand this catalog before purchasing the products. Please consult your OMRON representative if you have any questions or comments.

### Warranties.

(a) Exclusive Warranty. Omron's exclusive warranty is that the Products will be free from defects in materials and workmanship for a period of twelve months from the date of sale by Omron (or such other period expressed in writing by Omron). Omron disclaims all other warranties, express or implied.

(b) Limitations. OMRON MAKES NO WARRANTY OR REPRESENTATION, EXPRESS OR IMPLIED, ABOUT NON-INFRINGEMENT, MERCHANTABILITY OR FITNESS FOR A PARTICULAR PURPOSE OF THE PRODUCTS. BUYER ACKNOWLEDGES THAT IT ALONE HAS DETERMINED THAT THE PRODUCTS WILL SUITABLY MEET THE REQUIREMENTS OF THEIR INTENDED USE.

Omron further disclaims all warranties and responsibility of any type for claims or expenses based on infringement by the Products or otherwise of any intellectual property right. (c) Buyer Remedy. Omron's sole obligation hereunder shall be, at Omron's election, to (i) replace (in the form originally shipped with Buyer responsible for labor charges for removal or replacement thereof) the non-complying Product, (ii) repair the non-complying Product, or (iii) repay or credit Buyer an amount equal to the purchase price of the non-complying Product; provided that in no event shall Omron be responsible for warranty, repair, indemnity or any other claims or expenses regarding the Products unless Omron's analysis confirms that the Products were properly handled, stored, installed and maintained and not subject to contamination, abuse, misuse or inappropriate modification. Return of any Products by Buyer must be approved in writing by Omron before shipment. Omron Companies shall not be liable for the suitability or unsuitability or the results from the use of Products in combination with any electrical or electronic components, circuits, system assemblies or any other materials or substances or environments. Any advice, recommendations or information given orally or in writing, are not to be construed as an amendment or addition to the above warranty.

See <http://www.omron.com/global/> or contact your Omron representative for published information.

### Limitation on Liability; Etc.

OMRON COMPANIES SHALL NOT BE LIABLE FOR SPECIAL, INDIRECT, INCIDENTAL, OR CONSEQUENTIAL DAMAGES, LOSS OF PROFITS OR PRODUCTION OR COMMERCIAL LOSS IN ANY WAY CONNECTED WITH THE PRODUCTS, WHETHER SUCH CLAIM IS BASED IN CONTRACT, WARRANTY, NEGLIGENCE OR STRICT LIABILITY.

Further, in no event shall liability of Omron Companies exceed the individual price of the Product on which liability is asserted.

### Suitability of Use.

Omron Companies shall not be responsible for conformity with any standards, codes or regulations which apply to the combination of the Product in the Buyer's application or use of the Product. At Buyer's request, Omron will provide applicable third party certification documents identifying ratings and limitations of use which apply to the Product. This information by itself is not sufficient for a complete determination of the suitability of the Product in combination with the end product, machine, system, or other application or use. Buyer shall be solely responsible for determining appropriateness of the particular Product with respect to Buyer's application, product or system. Buyer shall take application responsibility in all cases.

NEVER USE THE PRODUCT FOR AN APPLICATION INVOLVING SERIOUS RISK TO LIFE OR PROPERTY OR IN LARGE QUANTITIES WITHOUT ENSURING THAT THE SYSTEM AS A WHOLE HAS BEEN DESIGNED TO ADDRESS THE RISKS, AND THAT THE OMRON PRODUCT(S) IS PROPERLY RATED AND INSTALLED FOR THE INTENDED USE WITHIN THE OVERALL EQUIPMENT OR SYSTEM.

### Programmable Products.

Omron Companies shall not be responsible for the user's programming of a programmable Product, or any consequence thereof.

### Performance Data.

Data presented in Omron Company websites, catalogs and other materials is provided as a guide for the user in determining suitability and does not constitute a warranty. It may represent the result of Omron's test conditions, and the user must correlate it to actual application requirements. Actual performance is subject to the Omron's Warranty and Limitations of Liability.

### Change in Specifications.

Product specifications and accessories may be changed at any time based on improvements and other reasons. It is our practice to change part numbers when published ratings or features are changed, or when significant construction changes are made. However, some specifications of the Product may be changed without any notice. When in doubt, special part numbers may be assigned to fix or establish key specifications for your application. Please consult with your Omron's representative at any time to confirm actual specifications of purchased Product.

### Errors and Omissions.

Information presented by Omron Companies has been checked and is believed to be accurate; however, no responsibility is assumed for clerical, typographical or proofreading errors or omissions.

2016.3

In the interest of product improvement, specifications are subject to change without notice.

**OMRON Corporation**  
Industrial Automation Company

<http://www.ia.omron.com/>

(c)Copyright OMRON Corporation 2016 All Right Reserved.