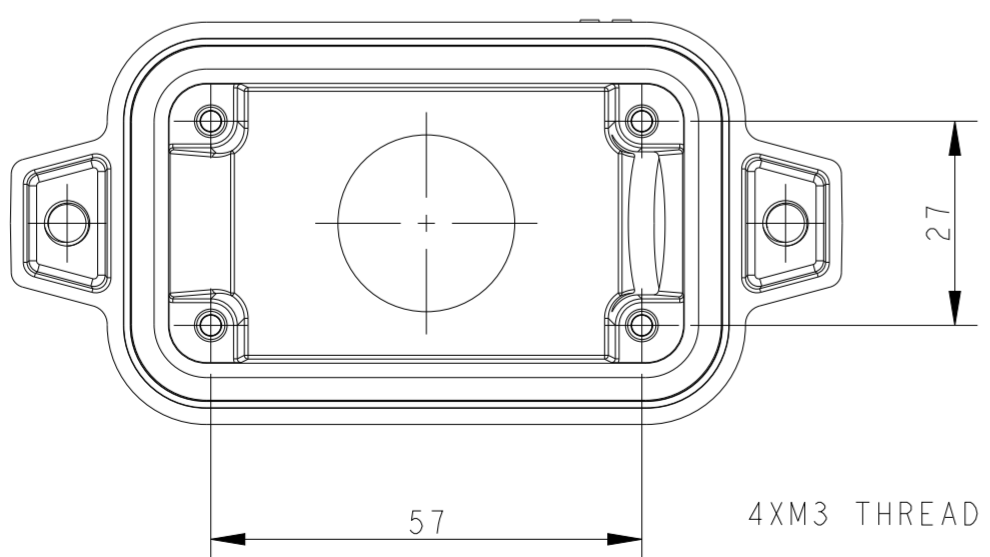
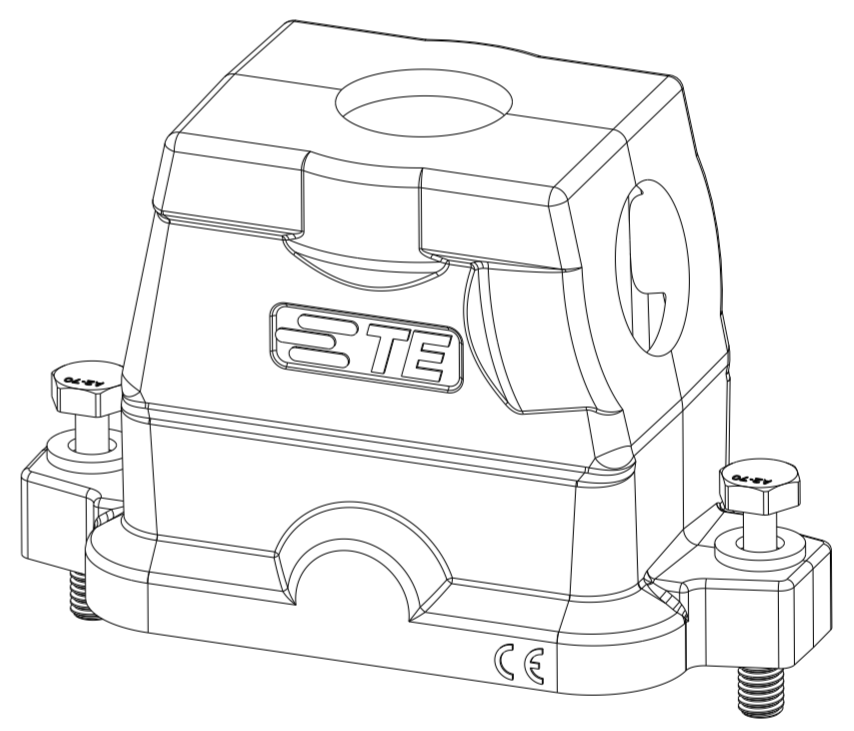
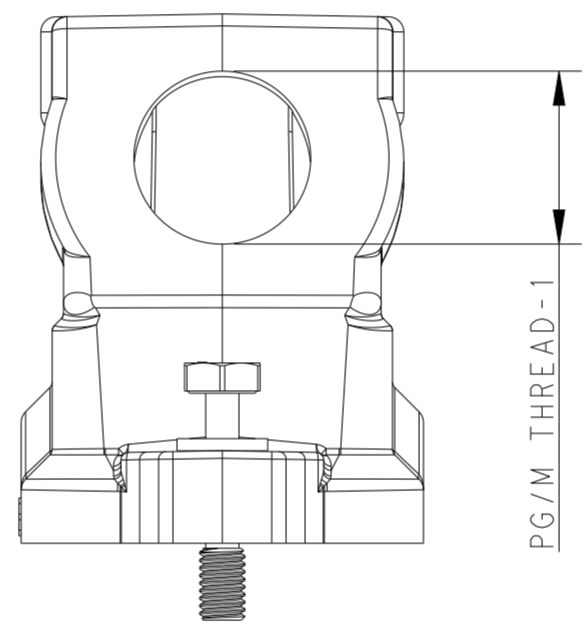
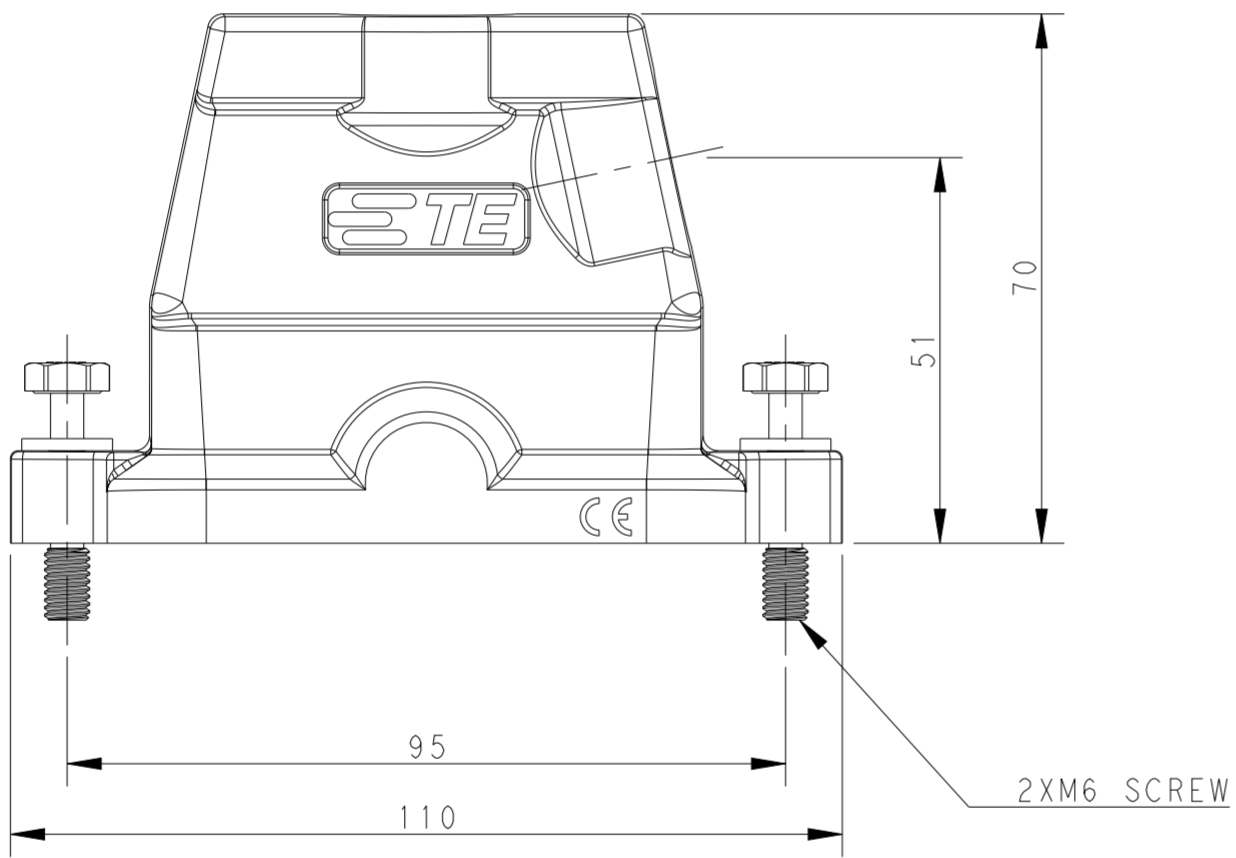
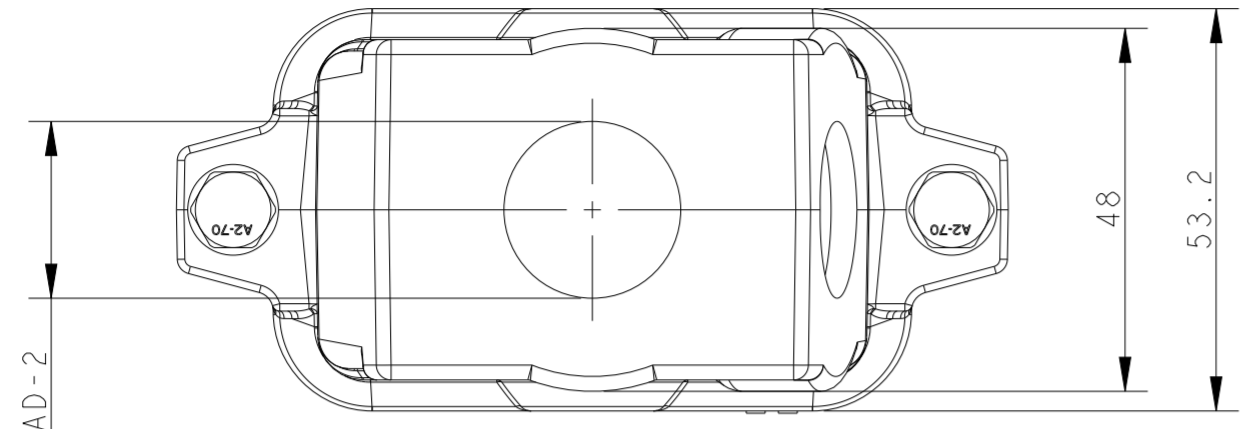


THIS DRAWING IS UNPUBLISHED. RELEASED FOR PUBLICATION 20
 © COPYRIGHT 20 BY - ALL RIGHTS RESERVED.

REVISIONS				
P	LTR	DESCRIPTION	DATE	APVD
A		INITIAL RELEASE	09JUN2015	GY CW
B		ECR-20-012069	08MAY2021	BS CW



NOTES:
 1. TECHNICAL CHARACTERISTICS:
 HOOD MATERIAL: DIE CAST ALUMINIUM ALLOY
 SURFACE TREATMENT: SEE TABLE
 DEGREE OF PROTECTION: IP68 (MATED)

注释
 1. 技术参数:
 壳体材料: 铝合金
 表面处理: 见表格
 防护等级: IP68 (配合)

T1902102232-000	POWDER COATED GRAY	H10BPR-TS/GHC-2M32	M32	M32
T1902101240-000	POWDER COATED SILVER WHITE	H10BPR-TS/GHC-2M40	M40	M40
T1902101232-000	POWDER COATED SILVER WHITE	H10BPR-TS/GHC-2M32	M32	M32
T1902101229-000	POWDER COATED SILVER WHITE	H10BPR-TS/GHC-2PG29	PG29	PG29
T1902101225-000	POWDER COATED SILVER WHITE	H10BPR-TS/GHC-2M25	M25	M25
PART NUMBER	SURFACE TREATMEN	DESCRIPTION	PG/M THREAD-2	PG/M THREAD-1

THIS DRAWING IS A CONTROLLED DOCUMENT.

DWN	Gino Yao	09JUN2015
CHK	Chris Wang	09JUN2015
APVD	Xiang Xu	09JUN2015
PRODUCT SPEC	108-137014	
APPLICATION SPEC	114-137014	
WEIGHT	-	
Customer Drawing		

STE TE Connectivity

NAME: H10BPR-TS/GHC-PG/M

SIZE	CAGE CODE	DRAWING NO	RESTRICTED TO
A2	-	G-T190210XXXXX00	-
SCALE	1:1	SHEET	1 OF 1
REV	B		