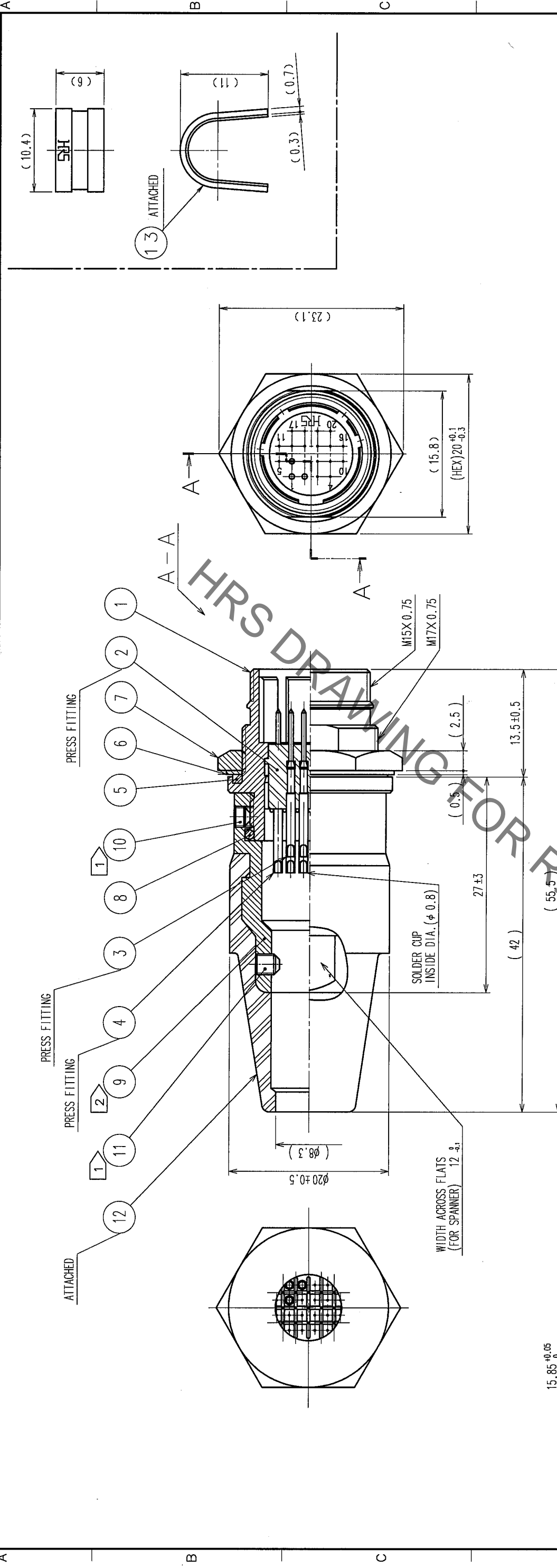


COUNT	DESCRIPTION OF REVISIONS	BY	CHKD	DATE	COUNT	DESCRIPTION OF REVISIONS	BY	CHKD	DATE
△					△				
△					△				
△					△				



NO.	MATERIAL	FINISH, REMARKS	NO.	MATERIAL	FINISH, REMARKS
7	BRASS	NICKEL PLATING	13	BRASS	
6	BRASS	NICKEL PLATING (BLACK)	12	NBR	(BLACK)
5	SIR		11	STAINLESS STEEL	NICKEL PLATING (BLACK)
4	BRASS	SILVER PLATING 2μm min.	10	STAINLESS STEEL	NICKEL PLATING (BLACK)
3	BRASS	SILVER PLATING 2μm min.	9	BRASS	NICKEL PLATING
2	PBT	(BLACK) UL94V-0	8	SIR	(BLACK)
1	ZINC ALLOY	NICKEL PLATING			

CODE NO. (COLD)	DRAWN	DESIGNED	CHECKED	APPROVED	RELEASED
	J. Kometani	E. Hama	/	M. Saito	
	'06.02.01	'06.02.01		'06.02.01	

DRAWING NO.	PART NO.
EDC3-045418-73	HR22-12TJD-20P(73)
SCALE	CODE NO.
2 : 1	CL122-0022-9-73
UNITS	
mm	

NOTE 1 > ACROSS FLATS HEXAGON HEAD OF REF. NO. ⑩ AND ⑪ : 1.27
 THE RECOMMENDED CLAMP TORQUE, REF. NO. ⑩ AND ⑪ : 0.3-0.4N · m.
 2 > THE RECOMMENDED CLAMP TORQUE, REF. NO. ⑨ : 2N · m.
 LOCTITE 242, HENKEL JAPAN OR EQUIVALENT IS RECOMMENDED TO PREVENT REF. NO. ⑦, ⑩, ⑪ FROM LOOSENING.
 3 ONE EXAMPLE OF THE ROTATION OF REF. NO. ① TO REF. NO. ⑨ IS SHOWN.

TO	
R	