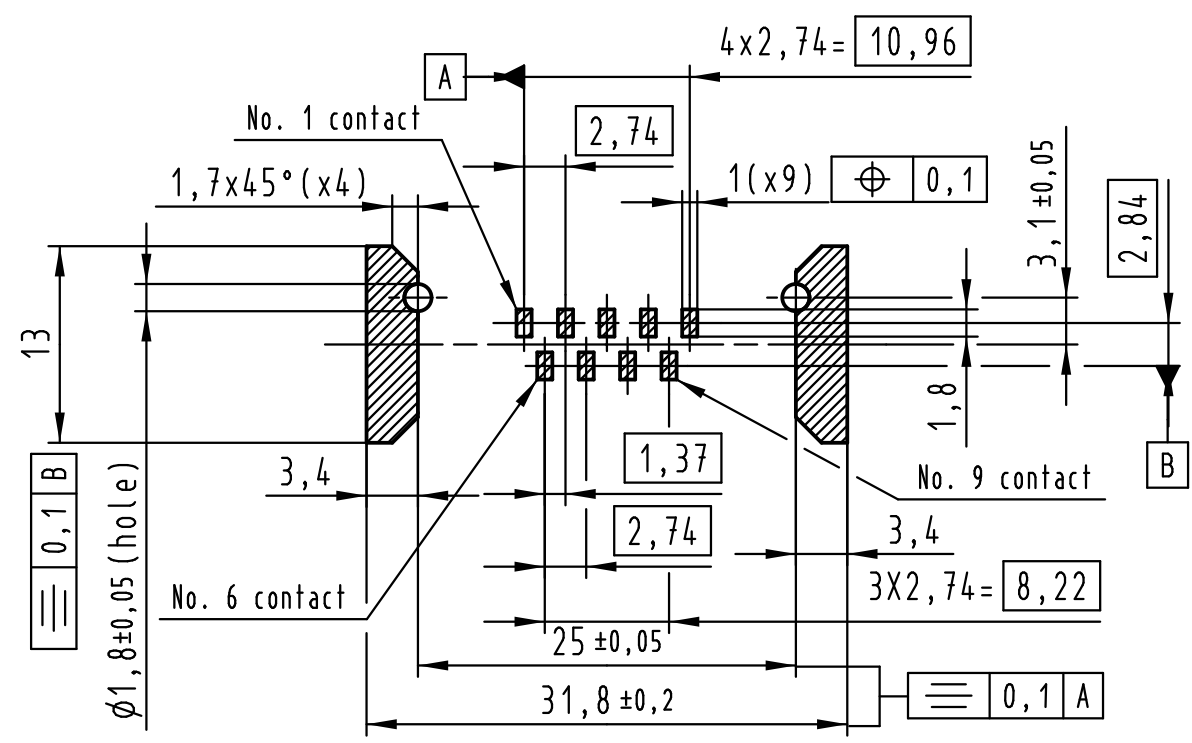
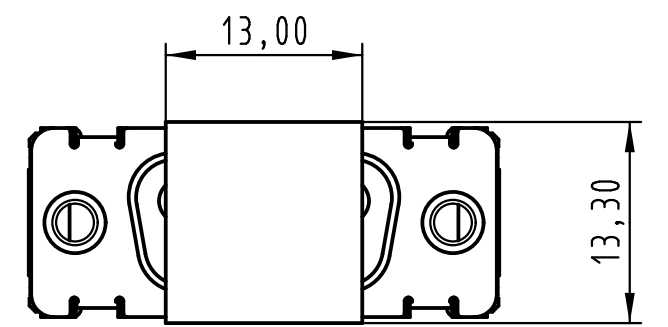
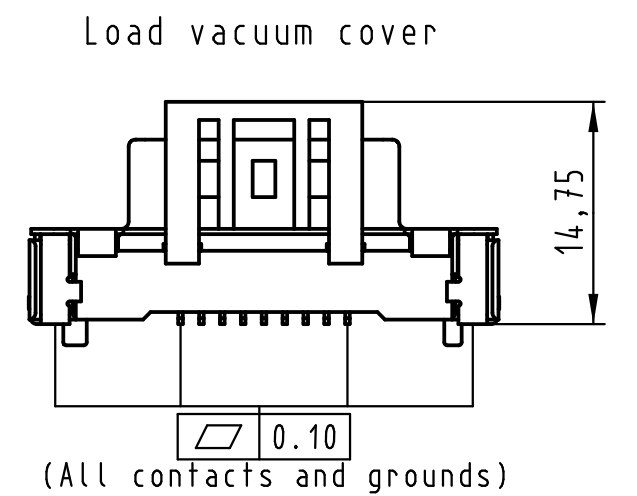
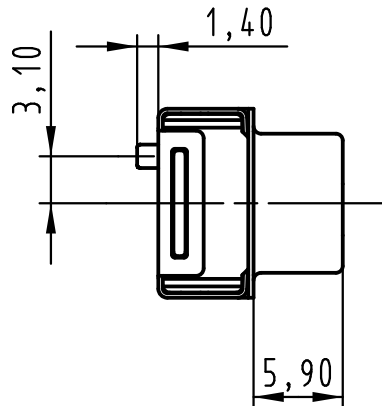
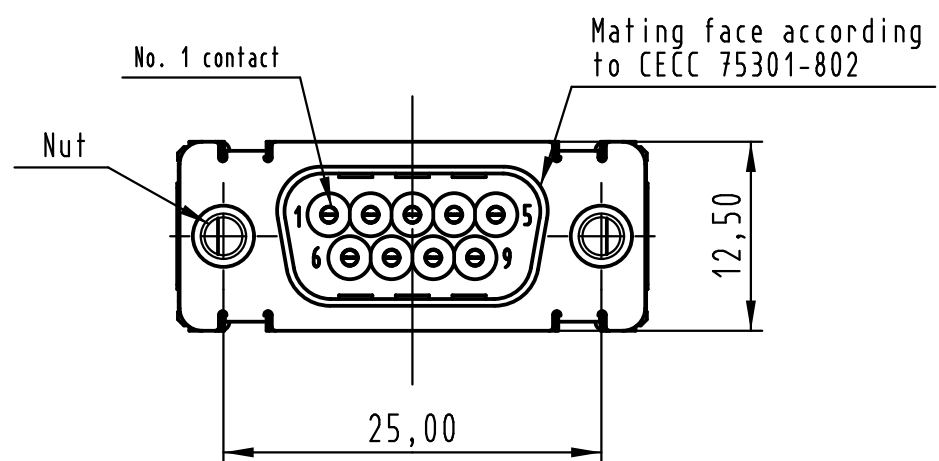
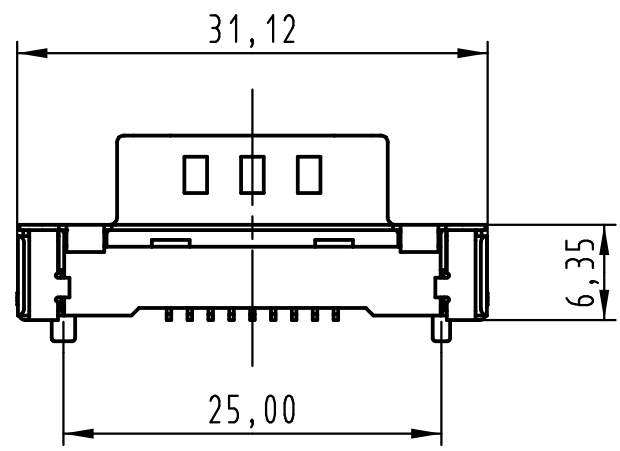


All rights reserved



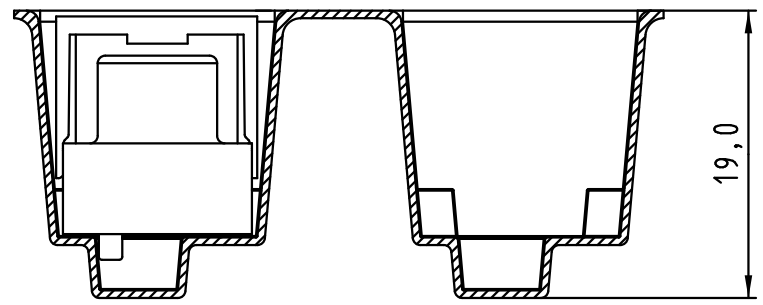
PCB layout, component side

Max. Temperature: 260° during 10 seconds.

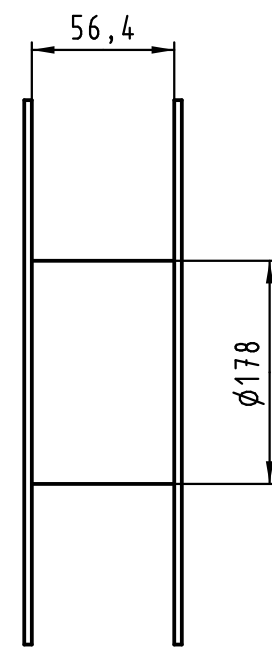
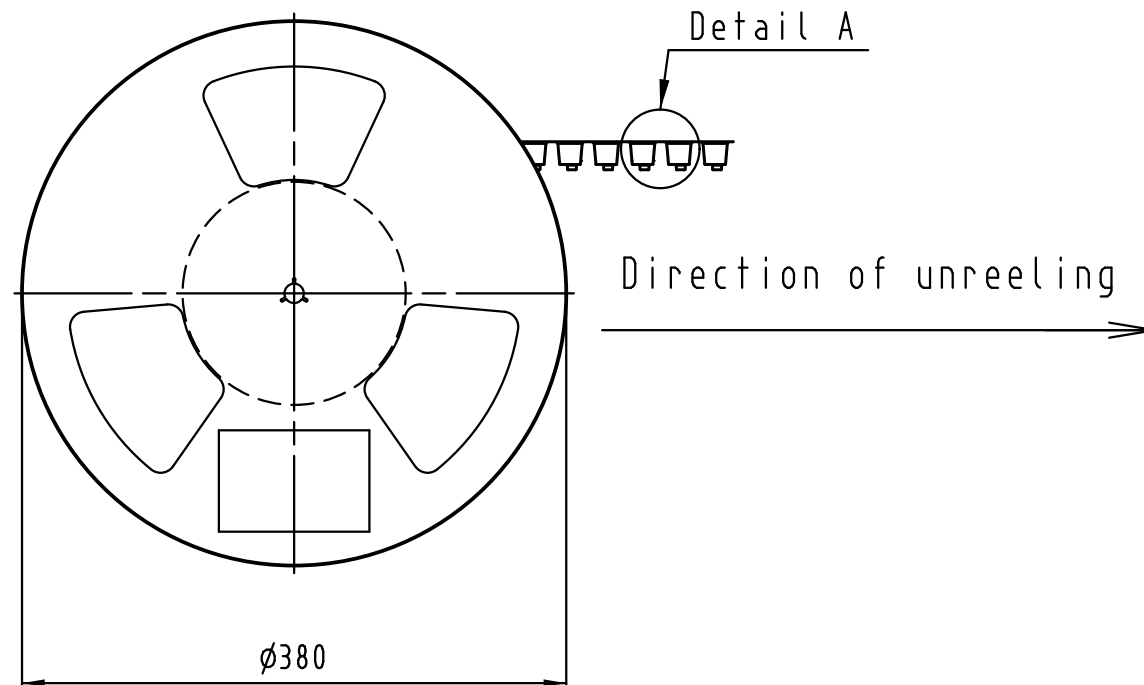
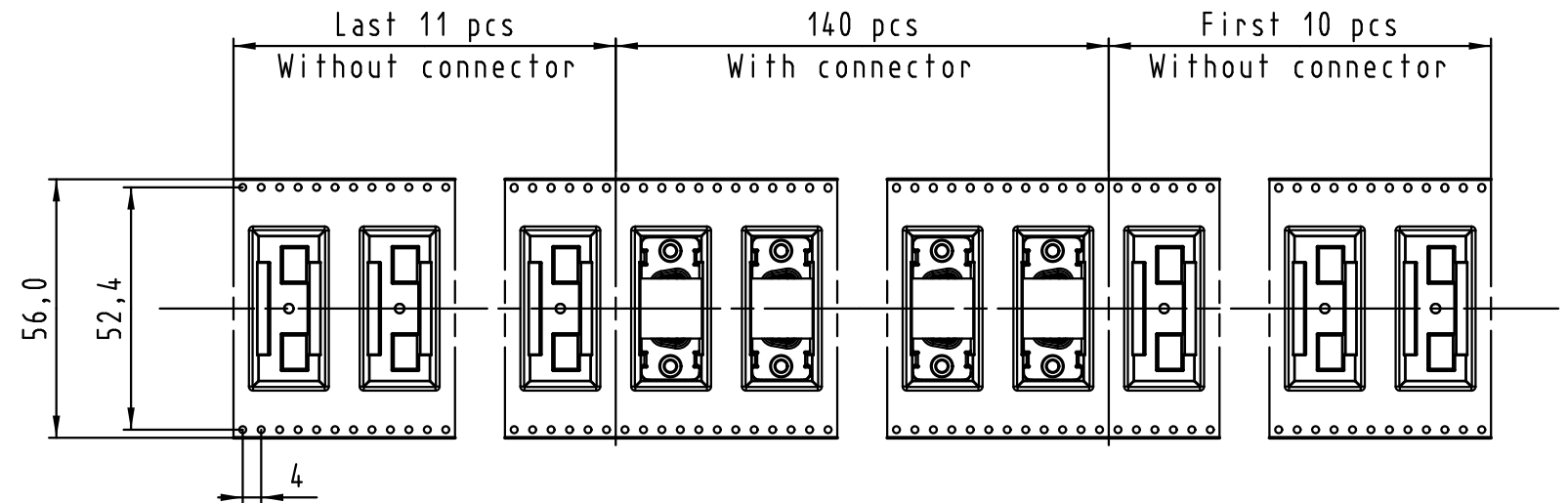
0955 129 3811 741	1	M3
0955 129 3812 741	1	4-40 UNC
0955 129 6811 741	2	M3
0955 129 6812 741	2	4-40 UNC
0955 129 7811 741	3	M3
0955 129 7812 741	3	4-40 UNC

Black insulator	Reel Packaging: 140 connectors (See details on page 2/2)			
		Part number	Nut	Index designation

			Techn. Character.		Free size tolerances	
			Dat.	Name	Scale 2:1	D-Sub SMT, 9 poles Male, Straight with nuts and ground pads
			Detail.	14-Sep-11 Johnson.S		
			Insp.	17-Nov-11 Steven.W		
			Stand.	17-Nov-11 Steven.W		
EC04070	17-Nov-11	Johnson.S	Zhuhai HARTING Limited			TB 09 55 129 x81x
Mod.	Dat.	Name				



Detail A



See TB 09 55 129 x81x folio 1/2 for connector dimensions and PCB layout

Packaging in accordance with EIA 481-2.

0955 129 3811 741	1	M3	Black insulator	Reel Packaging: 140 connectors
0955 129 3812 741	1	4-40 UNC		
0955 129 6811 741	2	M3		
0955 129 6812 741	2	4-40 UNC		
0955 129 7811 741	3	M3		
0955 129 7812 741	3	4-40 UNC		
Part number	PL	Nut	Index designation	

All Dimensions in mm Original Size DIN A 3	Techn. Character.			Free size tolerances
		Dat.	Name	
	Detail.	14-Sep-11	Johnson.S	
	Insp.	17-Nov-11	Steven.W	
	Stand.	17-Nov-11	Steven.W	D-Sub SMT, 9 poles Male, Straight with nuts and ground pads
Zhuhai HARTING Limited			TB 09 55 129 x81x	
EC04070	17-Nov-11	Johnson.S		
Mod.	Dat.	Name	Sub.	

All rights reserved