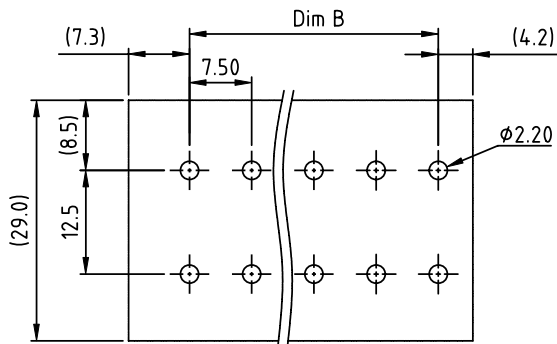
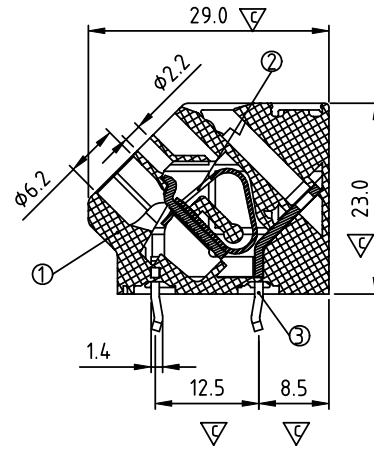
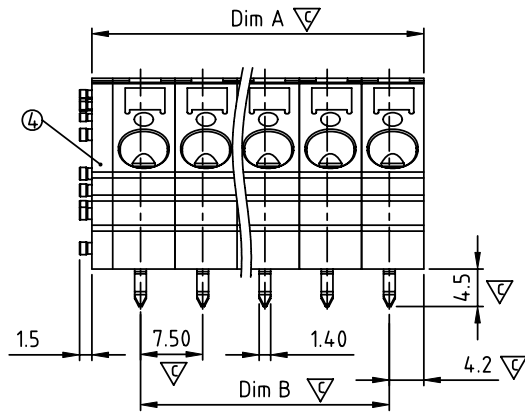
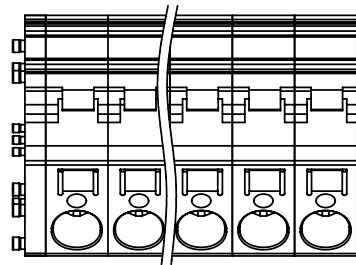


SIGN	DATE	DESCRIPTION	APPROVER
△	01/22'13	update the drawing	Da cheng
THIS IS CAD DRAWING, DO NOT REVISE MANUALLY!!!			



P.C.B. LAYOUT
△ Top view

POLE	1	2	3	4	5	6	7	8
Dim A	10.00	17.50	25.00	32.50	40.00	47.50	55.00	62.50
Dim B		7.50	15.00	22.50	30.00	37.50	45.00	52.50
Tol.	±0.15				±0.25			
POLE	9	10	11	12	13	14	15	16
Dim A	70.00	77.50	85.00	92.50	100.00	107.50	115.00	122.50
Dim B	60.00	67.50	75.00	82.50	90.00	97.50	105.00	112.50
Tol.	±0.35				±0.50			

- △ Material:
- Item ① Insulator(housing): Thermoplastic (UL94V-0)
 - Item ② Spring clamp: Stainless steel
 - Item ③ Terminal Body(contact pin): Brass, Tin plated
 - Item ④ Insulator(Cover): Thermoplastic (UL94V-0)

- Electrical: cULus
- Voltage rating: 300V
 - Current rating: 10A
 - Wire range:
 - Solid wire(AWG): 10-24
 - Stranded wire(AWG): 10-24
 - Wire strip length: 11-12mm
 - Withstanding Voltage: 1.6KV
 - Operating temperature: -40°C to +115°C
 - Soldering temperature: 260°C±5°C/5 Sec
 - Safety Approval:
 - Critical dimension:

H2 xx 00 x 0 xxxx G

△ No. OF POLES
01: 1 POLES
02: 2 POLES
:
16: 16 POLES

△ COLOR
0: BLACK
2: Red (RAL3001/D)
5: GREEN (RAL 6018/T)
8: GREY (RAL 7004/P)
C: Multiple colors

RoHS compliant (lead<4%) △
In copper Alloy
0000: "@" Logo (Standard)
000A: "ANYTEK" Mark
Any special item by customer request, please contact sales department.

ANYTEK				CUSTOMER COPY			
ALL RIGHTS RESERVED. REPRODUCTION OR ISSUE TO THRD PARTIES IN ANY FORM WHATEVER IS NOT PERMITTED WITHOUT WRITTEN AUTHORITY FROM THE PROPRIETOR. PROPERTY OF ANYTEK TECHNOLOGY CO., LTD							
TITLE	H2 7.5 Series						
PART NO.	H2xx00x0xxxxG			DWG NO.	8H20001		
APPROVED	CHECKED	DESIGNED	DRAWN	CUST NO.		Tolerance	
		Da cheng 2013.01.22	Da cheng 2013.01.22			X. ±0.50 X.X ±0.30 X.XX ±0.10 X* ±1*	
				SHEET: 01/01		UNIT: mm SCALE: NONE REV.: C	