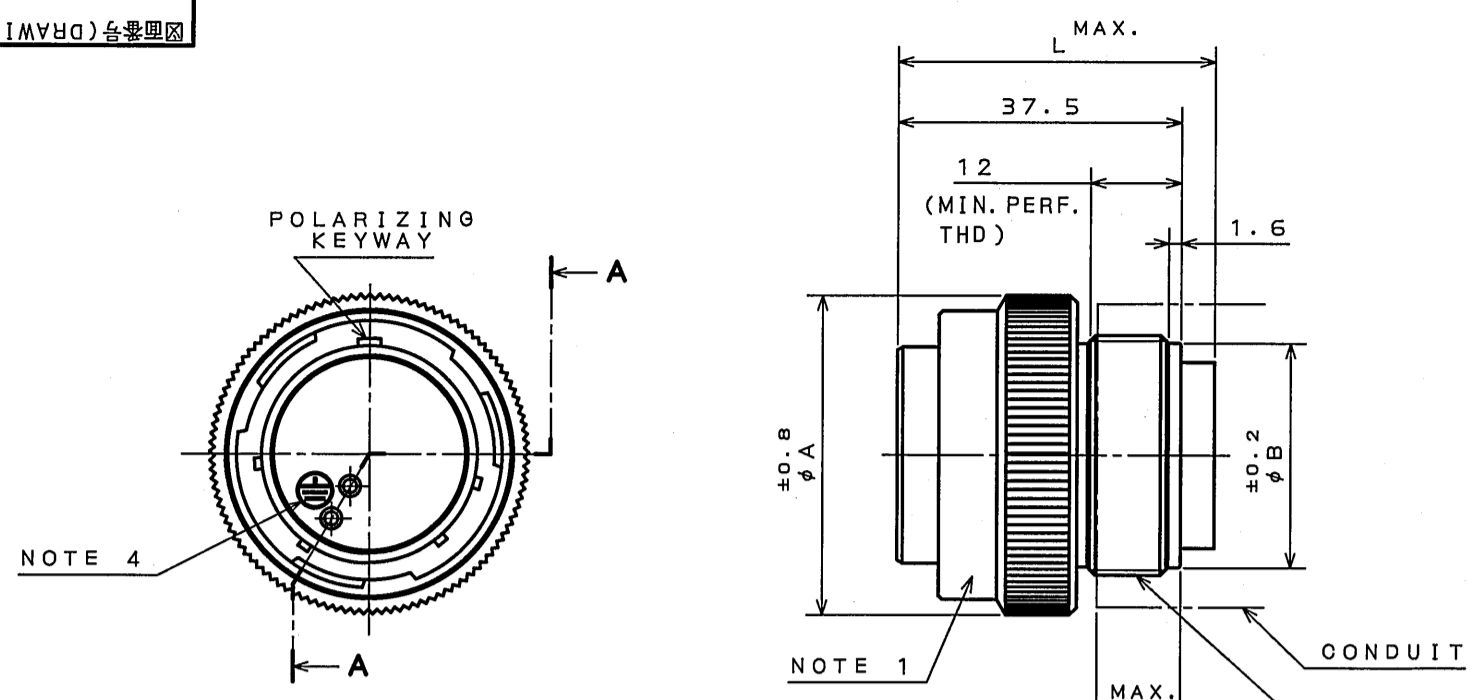


版数 REV.	年月日 DATE	CON NO.	変更内容 DESCRIPTION	製図 DR.	担当 CHK.	査閲 APPD.	承認 APPD.



SOCKET INSERT (THE UPPER PART)  
ソケットインサートの場合(上)      SECT. A-A  
PIN INSERT (THE LOWER PART)  
ピンインサートの場合(下)      (SCALE 2:1)

TABLE 1 【DIMENSIONS】

SHELL SIZE	φA±0.8	φB±0.2	V THREAD
18	35.9	23.5	1-20UNEF-2A
20	40.6	26.9	1 1/8-18UNEF-2A
22	42.2	29.6	1 1/4-18UNEF-2A
24	45.4	32.8	1 3/8-18UNEF-2A
28	51.7	39	1 5/8-18UNEF-2A

TABLE 2 【INSERT ARRANGEMENT】 (NOTE 2)

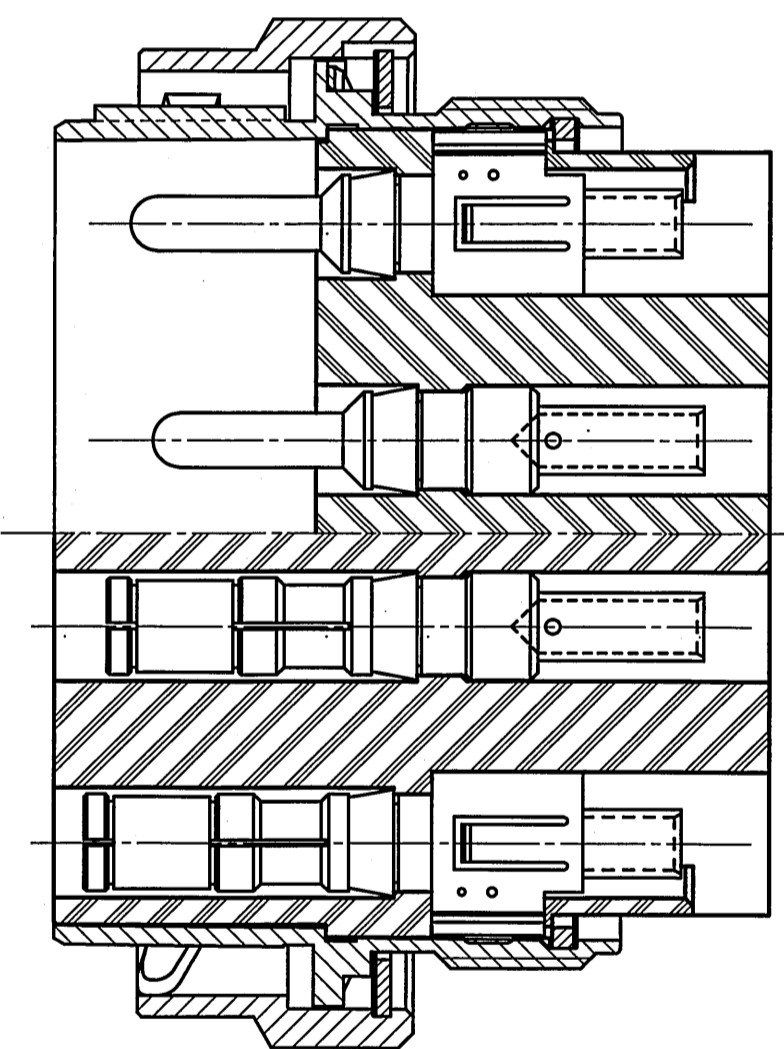
SHELL SIZE	CONTACT SIZE	# 8	# 12	# 16	# 20
18	NO. OF CONTACT	5	10	19	19
	INSERT ARRANGEMENT DWG. NO.	18-11 SJ024904	18-1 SJ025293	18-19A SJ025297	18-19A SJ025297
20	NO. OF CONTACT	7	17	30	30
	INSERT ARRANGEMENT DWG. NO.	20-15 SJ025291	20-15 SJ025294	20-29 SJ025298	20-30A SJ025298
22	NO. OF CONTACT	4	8	19	19
	INSERT ARRANGEMENT DWG. NO.	22-22 SJ024906	22-23 SJ025292	22-14 SJ024905	22-14 SJ024905
24	NO. OF CONTACT	7	24	52	52
	INSERT ARRANGEMENT DWG. NO.	24-10 SJ024907	24-10 SJ025295	24-28 SJ025295	24-52A SJ025299
28	NO. OF CONTACT	—	37	73	73
	INSERT ARRANGEMENT DWG. NO.	—	28-21 SJ025296	28-73A SJ026288	28-73A SJ026288

CONTACT SIZE	L MIN.	
	PIN INSERT	SOCKET INSERT
# 8	48	
# 12	46	43
# 16	43	38
# 20	40	37.5

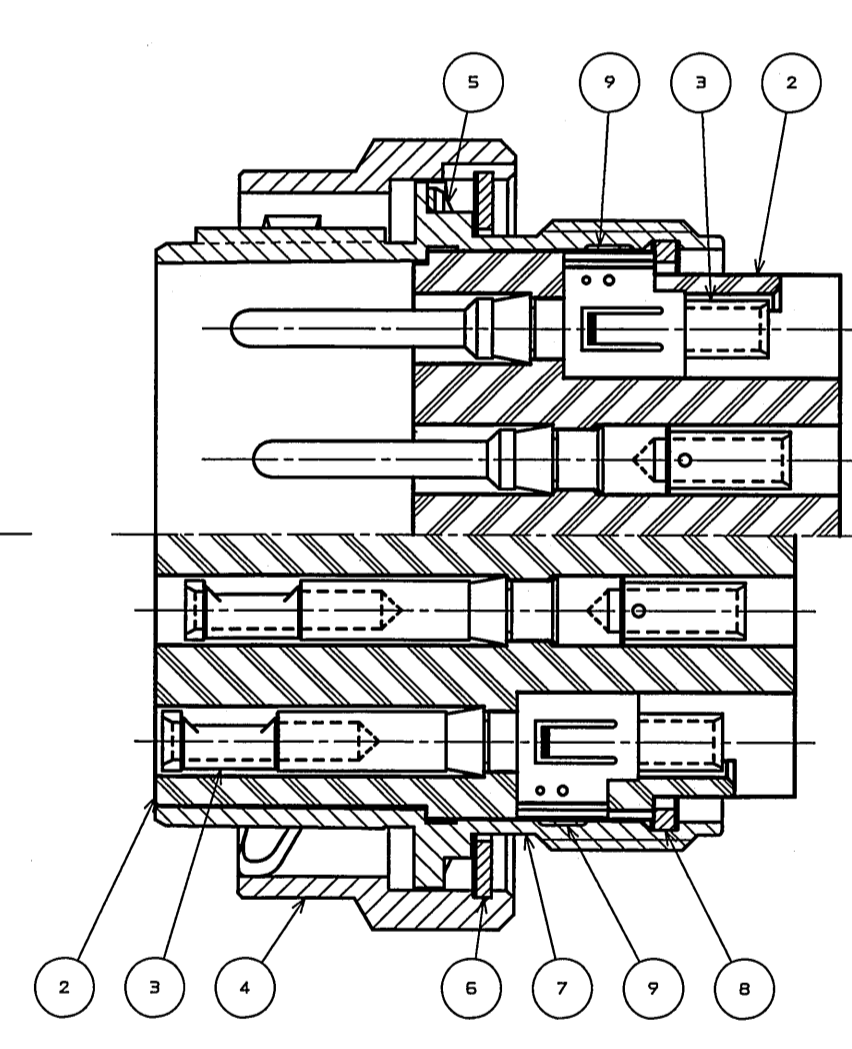
TABLE 3 【CRIMP TYPE CONTACTS】 (NOTE 3)

CONTACT SIZE	PIECE	CONTACT PART NUMBERS				TYPE	APPLICABLE WIRE
		PIN CONTACT	DWG. NO.	SOCKET CONTACT	DWG. NO.		
# 8	INDIVIDUAL	CONT-JL05-08P-C1	SJ025430	CONT-JL05-08S-C1	SJ025431	MACHINE	AWG# 8~10(8ml~5.5ml)
		CONT-JL05-08P-C2		CONT-JL05-08S-C2			
# 12	INDIVIDUAL	CONT-JL05-12P-C1	SJ025428	CONT-JL05-12S-C1	SJ025429	MACHINE	AWG# 12~16(3.5ml~1.25ml)
		ST-JL05-16P-C1		ST-JL05-16S-C1			
# 16	INDIVIDUAL	ST-JL05-16P-C2	SJ025424	ST-JL05-16S-C2	SJ025425	STAMPE	AWG# 16~20(1.25ml~0.5ml)
		ST-JL05-16P-C3		ST-JL05-16S-C3			
		ST-JL05-16P-C1-3500		ST-JL05-16S-C1-3500			
	REELS OF 3500	ST-JL05-16P-C2-3500	SJ025426	ST-JL05-16S-C2-3500	SJ025427	STAMPE	AWG# 14~16(2ml~1.25ml)
		ST-JL05-16P-C3-3500		ST-JL05-16S-C3-3500			
		ST-JL05-16P-C3-3500		ST-JL05-16S-C3-3500			
# 20	INDIVIDUAL	ST-JL05-20P-C1	SJ025420	ST-JL05-20S-C1	SJ025421	STAMPE	AWG# 18~22(0.8ml~0.3ml)
		ST-JL05-20P-C2		ST-JL05-20S-C2			
	REELS OF 10000	ST-JL05-20P-C1-10000	SJ025422	ST-JL05-20S-C1-10000	SJ025423	STAMPE	AWG# 18~22(0.8ml~0.3ml)
		ST-JL05-20P-C2-10000		ST-JL05-20S-C2-10000			

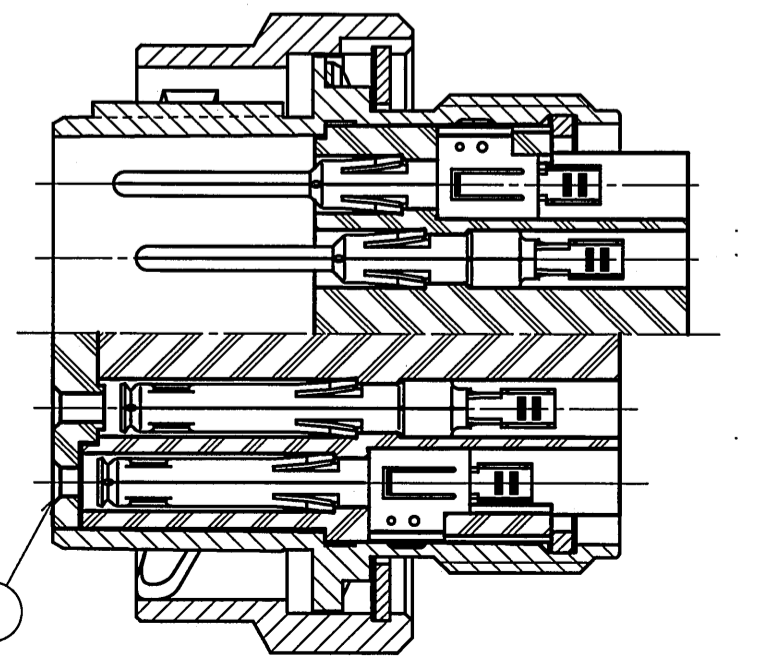
★INSERT OF #8 CONTACTS



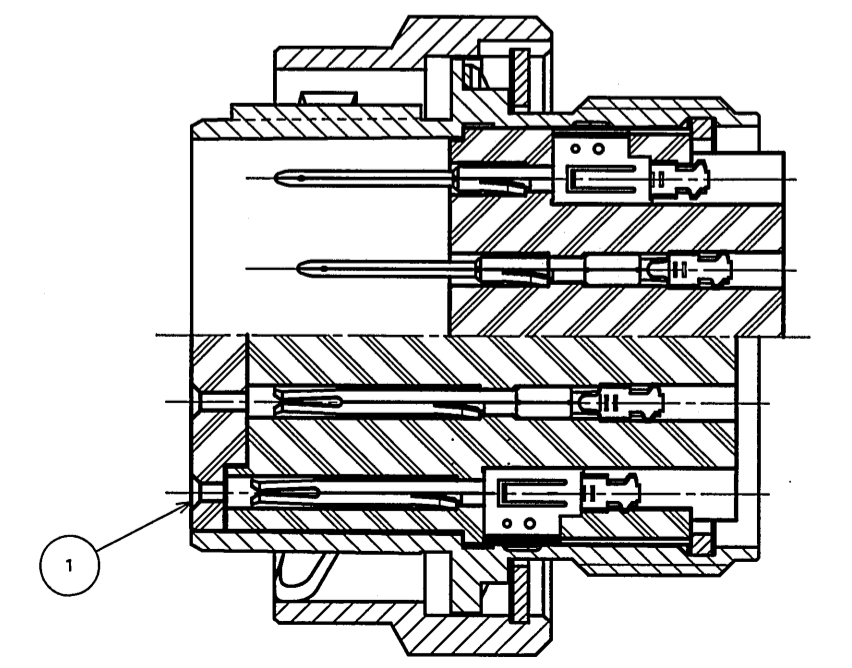
★INSERT OF #12 CONTACTS



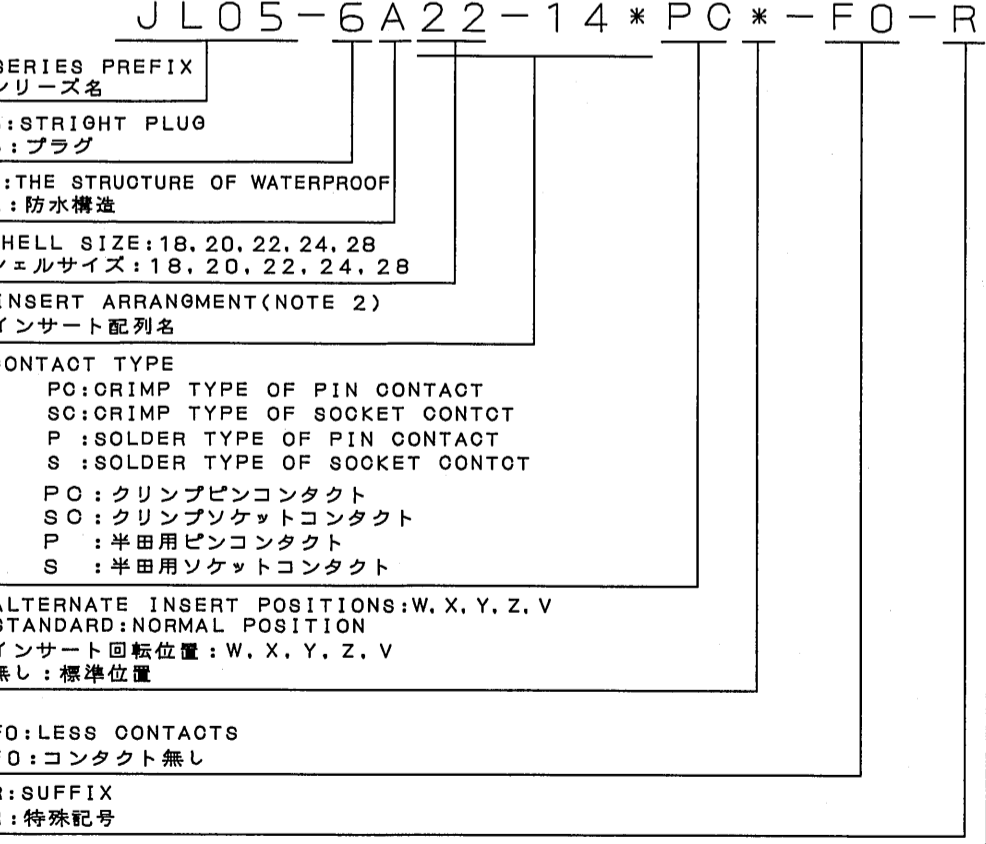
★INSERT OF #16 CONTACTS



★INSERT OF #20 CONTACTS



DESIGNATION  
命名法



NOTE 1. COMPANY LOGO "JAE" & PART NUMBER ARE MARKED AS INDICATED.  
"-FO" AND "-R" ARE NOT MARKED.

2. FOR INSERT ARRANGEMENT, SEE TABLE 2.

3. FOR APPLICABLE CONTACTS, SEE TABLE 3.

4. THIS MARK (⊕) INDICATES EARTH.

1. 図示の位置に「社名」及び「品名」を表示する。  
但し、品名末尾の「-FO」及び「-R」は表示しない。

2. インサート配列は表2による。

3. 適合コンタクトは表3による。

4. このマーク ⊕ は保護回路接続を表す。

QTY.	MATERIAL	FINISH	REMARKS		
9	EARTH LUG	1	COPPER ALLOY	SILVER PLATING	
8	RETAINING RING	1	COPPER ALLOY	ZINC PLATING	
7	BARREL	1	ALUMINUM ALLOY	ZINC PLATING	
6	C-TYPE RING	1	STAINLESS STEEL		
5	WAVE SPRING	1	STAINLESS STEEL		
4	COUPLING NUT	1	ALUMINUM ALLOY	ZINC PLATING	
3	CONTACT	—	COPPER ALLOY	SILVER PLATING	NOTE 2, 3
2	BASE INSULATOR	1	SYNTHETIC RESIN		
1	COVER INSULATOR	1	SYNTHETIC RESIN		INSULATOR FOR #16 & #20 SOCKET CONTACTS

符号 NO. 名 DESCRIPTION 個数 QTY. 材料 MATERIAL 仕上 FINISH 備考 REMARKS

仕様書 (SPECIFICATION) JA08-5071 第1版 (ORIGINAL DATE) 6. Jan. 2006 尺 (SCALE) 1:1 シリーズ (SERIES) JL05

製図 DR. 担当 CHK. N.SASANO 名 (TITLE) JL05-6A\*\*

査閲 APPD. E. Matsumoto 承認 APPD. A. Omegawa

公差 (GENERAL TOLERANCE) 寸法 (DIMENSION) 角度 (ANGLES)

・ ±0.8 ° ±0.5  
・ X ±0.4 ° X ±0.5  
・ XX ±0.1 ° XX ±0.5  
・ XXX ±

数量 (MASS) 図面番号 (DRAWING NO.) SJ105243

日本航空電子工業株式会社  
JAPAN AVIATION ELECTRONICS INDUSTRY, LTD.  
図面番号 (DRAWING NO.) SJ105243