



SIGN	DATE	DESCRIPTION	APPROVER
△	10/20'08	Add APPROVAL: : CQC	Kind
△	4/17'09	Explanation changed	Eris
△	06/04`11	Critical dimension is changed.	Tason
△	06/04`11	The Wire Range is changed from 20-14AWG to 22-14AWG	Tason
△	06/04`11	The tolerance table is changed.	Tason
△	06/16`11	The dimension is changed from 5.55 to 5.5	Tason
△	06/16`11	The dimension is changed from 1.6 to 1.5	Tason
△	11/10'12	Change the screw plating specification	Jacky
△	12/23'13	Change the withstand voltage , current, Screw Torque.	Guoxue

THIS IS CAD DRAWING, DO NOT REVISE MANUALLY!!!

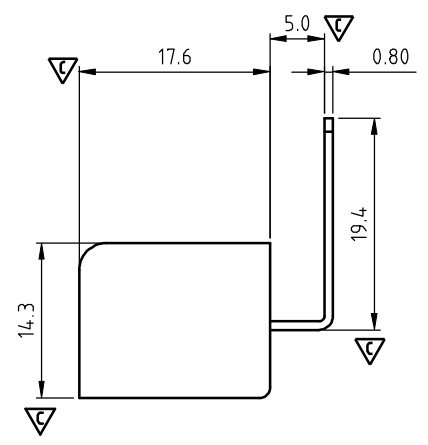
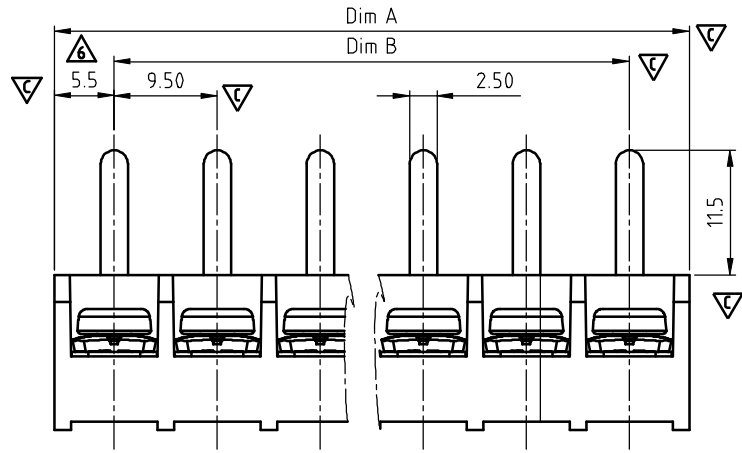
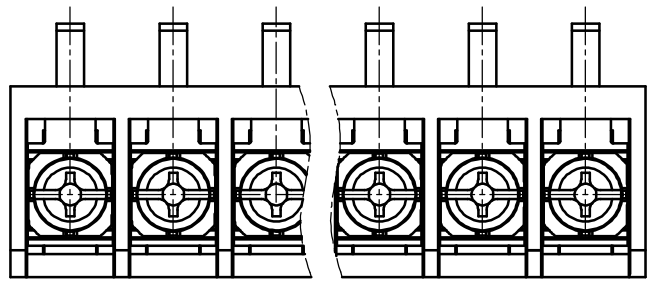
- MATERIALS ELECTRICAL
- △ 2) RATED VOLTAGE & CURRENT: 300 V, 30A / 300V 24A △ 9
  - WITHSTAND VOLTAGE: AC2500V/min △ 9
  - INSULATION RESISTANCE: 1000 MΩ OR MORE AT DC 500 V
  - OPERATING TEMPERATURE RANG: -40 °C ~ +115 °C
  - SCREW TORQUE VALUE: 10.54 Lb-In. / 0.8Nm △ 9
  - △ 1) WIRE RANGE: 22 - 10 AWG / 22-14 AWG △ 4
  - 1) MOLDED PARTS: Thermoplastic, UL 94 V-0 BLACK
  - 2) TERMINAL: BRASS, 0.8t, Tin PLATED
  - 3) TERMINAL SCREWS: STEEL, M3.5
- △ 3) CRITICAL DIMENSION:  

YK 444 xx 0 x x 00G G:RoHS compliant (lead<4%) in copper alloy

NO. OF POLES: 02: 2 POLES, 03: 3 POLES, 04: 4 POLES, : , :30: 30 POLES

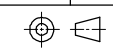
MARK: 0: "@" MARK, 1: "ANY" MARK

△ 0: TERMINAL & SCREW: G/F  
 △ 1: TERMINAL: G/F, SCREW: Zinc  
 △ 2: TERMINAL: Sn, SCREW: G/F  
 △ 3: TERMINAL: Sn, SCREW: Zinc



△  
 N = Number of poles  
 Dim A = N x 9.5 + 1.5 △  
 Dim B = (N - 1) x 9.5

Poles	Tol.	Dim A&B
2-4p		±0.20
5-8p		±0.25
9-16p		±0.35
17-23p		±0.40
24-30p		±0.50

<b>ANYTEK</b>				<b>CUSTOMER COPY</b>							
								ALL RIGHTS RESERVED. REPRODUCTION OR ISSUE TO THIRD PARTIES IN ANY FORM WHATSOEVER IS NOT PERMITTED WITHOUT WRITTEN AUTHORITY FROM THE PROPRIETOR. PROPERTY OF ANYTEK TECHNOLOGY CO., LTD			
TITLE		YK-444 Series		PART NO.		YK444xx0xx00G		DWG NO.		8YK0001-444	
APPROVED		CHECKED		DESIGNED		DRAWN		CUST NO.		Tolerance	
				Guoxue 2014.01.07		Guoxue 2014.01.07				UNIT: mm SCALE: NONE SHEET: 01/01 REV.: H	
								X. ±0.50		X.X ±0.30	
								X.XX ±0.10		X° ±1°	