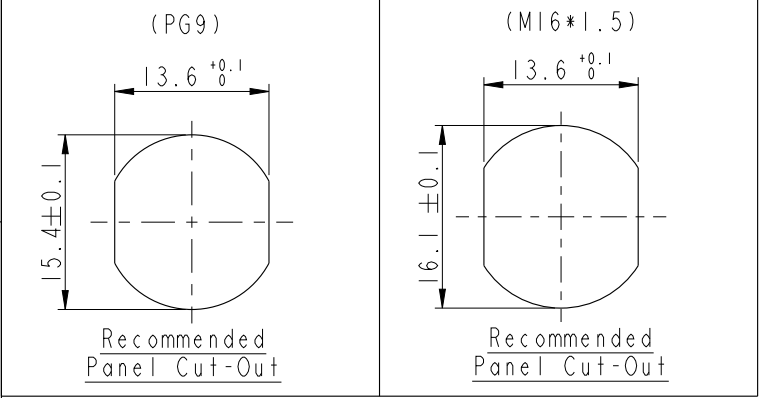
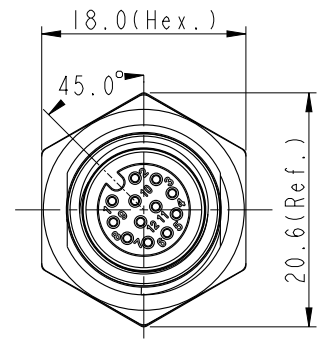
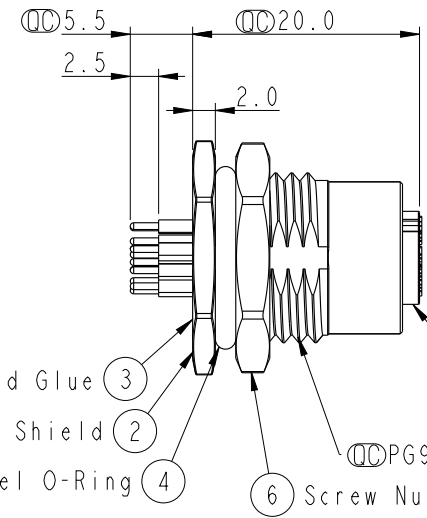
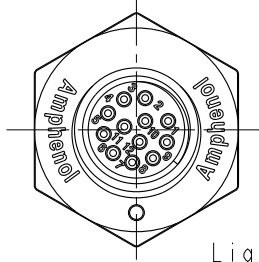


THIS DOCUMENT IS SUBJECT TO CHANGE WITHOUT NOTICE. IT IS CONFIDENTIAL AND A PROPERTY OF Amphenol LTW. DISCLOSURE TO THIRD PARTY HAS TO BE AUTHORIZED BY Amphenol LTW.

REV.	ECN NO.	DATE	SIGN	DESCRIPTION
B	LENI570228-233 LE31570204-209	2015/07/20	Yulong_wang	Change to Share Drawing.
C	LENI680390-401	2016/08/08	Yulong_wang	Add 6Pin & IP69K.



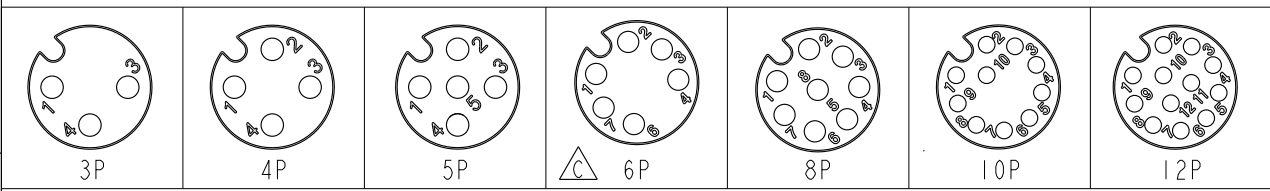
△



ALTW
CONFIDENTIAL
 2016-08-08
R&D DEPT.

ALTW
 DCC. DEPT.
 CONFIDENTIAL
 2016.08.12
ISSUED

- Note:
- * \varnothing Important Dimension.
 - * \triangle Waterproof Rate: IP68, IP69K.
 - * Housing: Nylon+GF, Black.
 - * Female Pin: Copper Alloy, Gold Plated.
 - * Shield: Zinc Alloy, Nickel Plated.
 - * Screw Nut: Zinc Alloy, Nickel Plated.
 - * Panel O-Ring: Viton, Black.
 - * Housing O-Ring: Viton, Green.
 - * Rated Voltage: 3 & 4Pin 250V dc. or ac.
5Pin 60V dc. or ac.
6~12Pin 30V dc. or ac.
 - * Rated Current: 3~5Pin 4A
6~8Pin 2A
10~12Pin 1.5A
 - * Operating Temperature: -40~105°C
 - * For Panel Thickness Max 4.5mm.
 - * Recommended Nut Torque: 4-6 Kgf.cm.



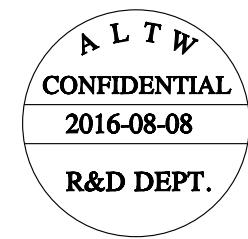
Pin Assignment Front View

UNIT: mm			TITLE M12 A-Code Female Conn. PCB Type Unshielded
TOLERANCE .X ±0.25 .XX ±0.1 .XXX ±0.05 ANGLES ±1°			SCALE 2:1 SIZE A4 SHEET 1 OF 2
			REV. C WC-REV. A.5 \varnothing : Inspection item

Amphenol LTW
安費諾亮泰企業股份有限公司

ITEM NO	DRAWN BY Yulong_wang	DATE 2016-08-08
DWG NO M12A-XXPFFP-SF8XXX	CHECKED BY Jinhai	DATE 2016-08-08
CUSTOMER ALTW	APPROVED BY Jerry	DATE 2016-08-08

THIS DOCUMENT IS SUBJECT TO CHANGE WITHOUT NOTICE. IT IS CONFIDENTIAL AND A PROPERTY OF Amphenol LTW. DISCLOSURE TO THIRD PARTY HAS TO BE AUTHORIZED BY Amphenol LTW.



M 12A - XX P F F P - S F 8 XXX

12A: A-Code

03: 3Pin
04: 4Pin
05: 5Pin
06: 6Pin
08: 8Pin
10: 10Pin
12: 12Pin

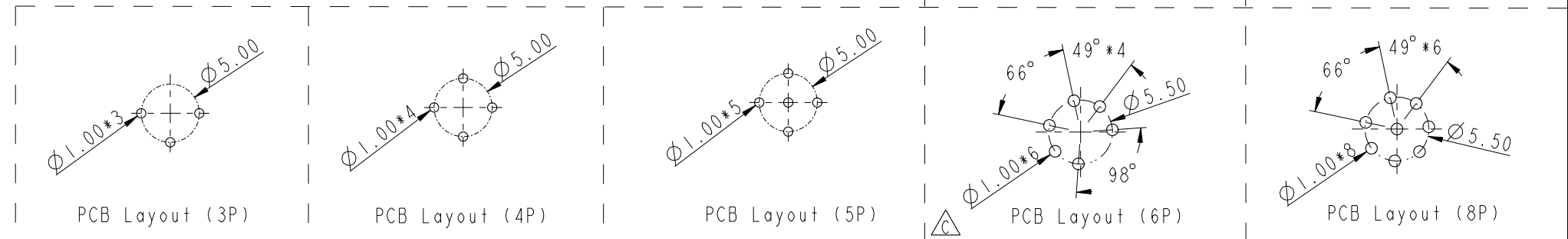
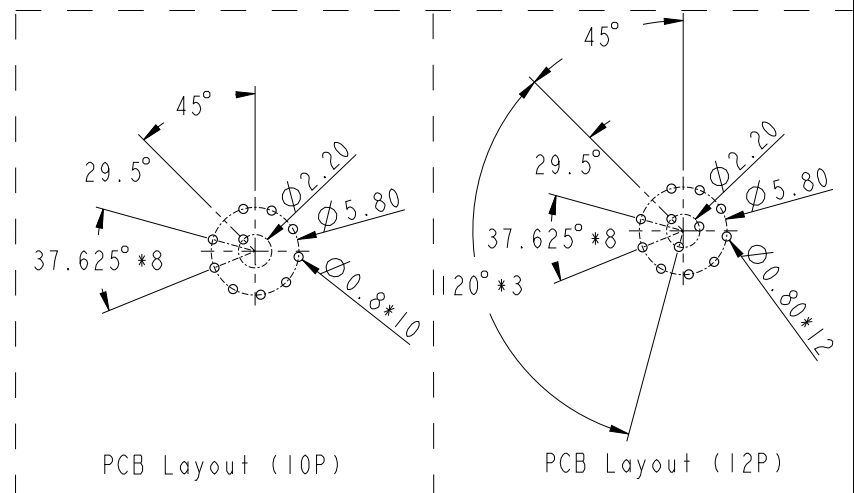
P: Panel (板端)
F: Female Connector (母座)

001: PG9
002: M16*1.5

8: IP68/69K (防水等級68/69K)

F: Front Fasten (前鎖式/Enclosure Rear Mount)
S: Screw (螺紋式)

P: PCB THT/DIP Type (180° 基板插件式)
F: Female Pin (母Pin)



UNIT: mm		TITLE		ITEM NO		DRAWN BY		DATE	
		MI2 A-Code Female Conn. PCB Type Unshielded		DWG NO		Yulong_wang		2016-08-08	
TOLERANCE		SCALE	SIZE	SHEET	OF	CHECKED BY	DATE		
.X ±0.25		2:1	A4	2	2	Jinhai	2016-08-08		
.XX ±0.1		REV.	WC-REV.	QC: Inspection item		APPROVED BY	DATE		
.XXX ±0.05		C	A.4			Jerry	2016-08-08		
ANGLES ±1°						CUSTOMER		DATE	
						ALTW			

Amphenol LTW
安費諾亮泰企業股份有限公司