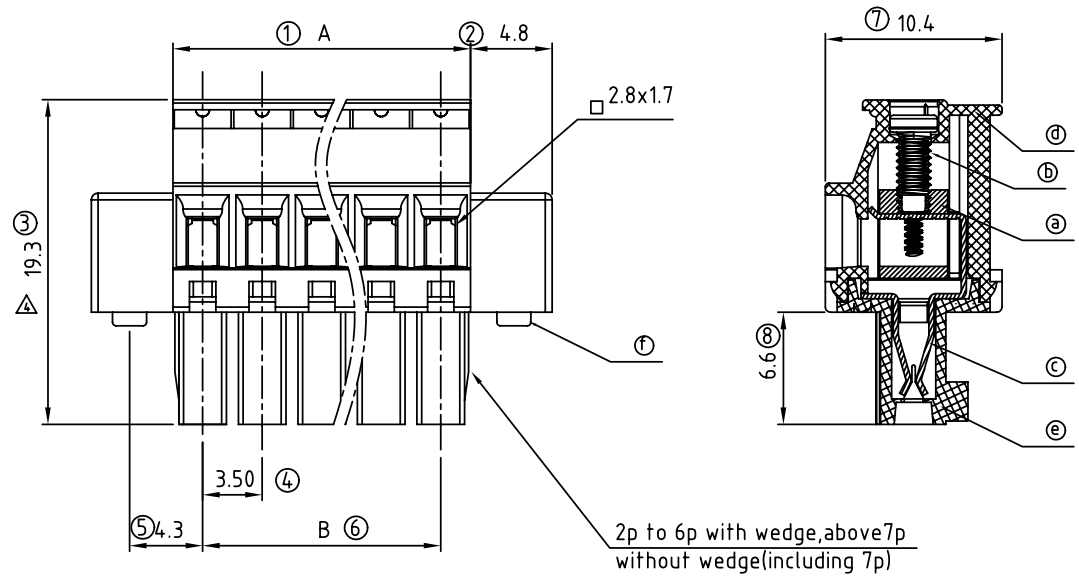
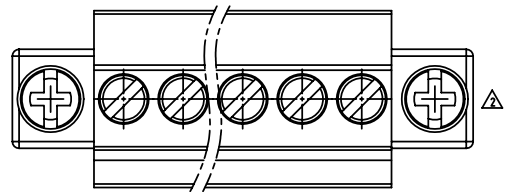


SIGN	DATE	DESCRIPTION	APPROVER
△	8/07'06	Added VDE standard	梁仁松
△	2008.12.02	With flange screw changed from "-" slot type to "+/-" slot type	Jacke
△	2008.12.02	The temperature changed from -30°C,+105°C to -40°C,+115°C	Jacke
△	2008.12.02	The dimension design changed from 19.1mm to 19.3mm	Jacke

THIS IS CAD DRAWING, DO NOT REVISE MANUALLY!!!



2p to 6p with wedge, above 7p without wedge (including 7p)

N = Number of contacts

DIMENSION	
A	NX3.5
B	(N-1)X3.5

Poles	Tolerance
2P-8P	±0.10
9P-16P	±0.20
17P-24P	±0.30

Material

- Item ① Clamp: Brass(CuZn), Nickel plated
- Item ② Terminal screw: Steel Zinc plating "-" slot type
- Item ③ Female contact: PhBz, Tin plated
- Item ④ Terminal (housing): Thermoplastic (UL94V-0)
- Item ⑤ Terminal (cover): Thermoplastic (UL94V-0)
- Item ⑥ With flange screw: Steel M2.5 Zinc plating "+/-" slot type

- Voltage rating: 300VAC/300VAC
- Current rating: 8A/10A
- Wire range: 1.5mm²
- Solid wire(AWG): 16-28
- Stranded wire(AWG): 16-28
- Torque: 1.7Lb-In./0.2Nm
- Screw: M2
- Wire strip length: 6-7mm
- Withstanding Voltage: 1.6KV/2.5KV
- △ Operating temperature: -40°C to +115°C
- △ Safety approval: cULus VDE

TS xx 1 1 x D xxxx G

No. OF POLES	Color	RoHS pb<40, 000ppm
02: 2 POLES	0 Black (RAL9005)	0000 Standard @ Logo
:	2 Red (RAL3001/D)	000A Standard ANY Logo
:	3 Orange(RAL2011/P)	Any special item by customer request, please contact sales department.
24: 24 POLES	4 Yellow(RAL1018/A)	
	5 Green(RAL6018/T)	
	6 Blue (RAL5015/A)	
	8 Grey(RAL7035/D)	

ANYTEK				CUSTOMER COPY			
ALL RIGHTS RESERVED. REPRODUCTION OR ISSUE TO THIRD PARTIES IN ANY FORM WHATSOEVER IS NOT PERMITTED WITHOUT WRITTEN AUTHORITY FROM THE PROPRIETOR. PROPERTY OF ANYTEK TECHNOLOGY CO., LTD							
TITLE		TS-3.5mm Series With flange (for latch on back side)					
PART NO.		TSxx11xDxxxxG		DWG NO.		8TS0204	
APPROVED		CHECKED	DESIGNED	DRAWN	CUST NO.		Tolerance
		Jacke	Jacke				X. ±0.50
		2008.12.10	2008.12.10				X.X ±0.30
							X.XX ±0.10
							X° ±1°
				SHEET: 01/01		REV.: E	