


SIGN	DATE	DESCRIPTION	APPROVER
△	8/07'06	Added VDE standard	梁仁松
△	12/02'08	With flange screw changed from“-”slot type to “+/-”slot type	Jacke
△	12/02'08	The temperature is changed from -30°C,+105°C to -40°C +115°C	Jacke
△	2010.11.26	The tolerance is changed	Jacke

*THIS IS CAD DRAWING, DO NOT REVISE MANUALLY!!!*

**Material**

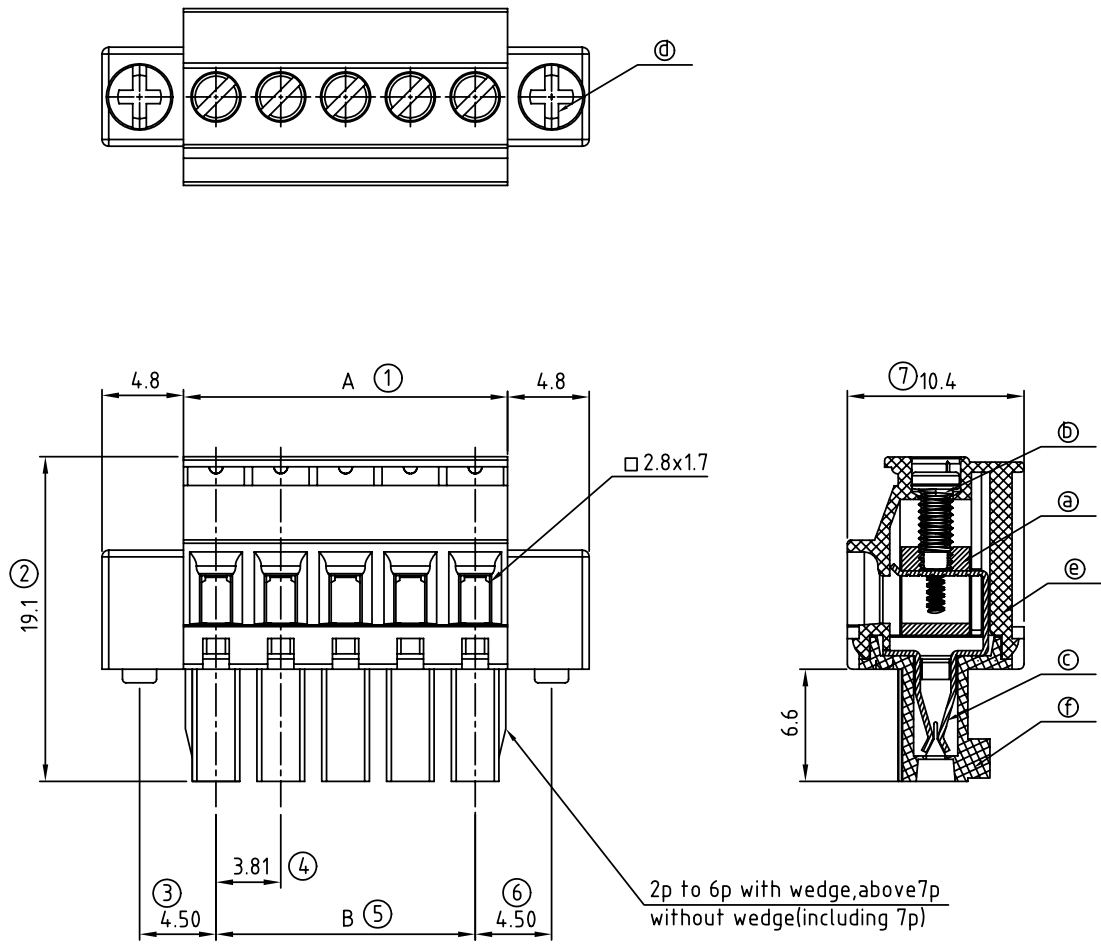
- Item a Clamp: Brass(CuZn) Ni plated
- Item b Terminal screw: Steel Zinc plating “-” slot type
- Item c Female contact: PhBz Tin plated
- △ ● Item d With flange screw: Steel Zinc plating M2.5 “+/-” slot type
- Item e Terminal(housing): Thermoplastic (UL94V-0)
- Item f Terminal(cover) :Thermoplastic (UL94V-0)

△ Electrical cULus/VDE

- Voltage rating: 300VAC/300VAC
- Current rating: 8A/10A
- Wire range: 1.5mm<sup>2</sup>
- Solid wire(AWG): 16-28
- Stranded wire(AWG): 16-28
- Torque: 1.7Lb-In./0.2Nm
- Screw: M2
- Wire strip length: 6-7mm
- Withstanding Voltage: 1.6KV/2.5KV
- △ ● Operating temperature: -40°C to +115°C
- Safety approval: 

**TS xx 3 1 x D xxxx G**

No. OF POLES	↓	RoHS pb<40, 000ppm
02: 2 POLES		
:		
24: 24 POLES		
	Color	
	0 Black (RAL9005)	0000 Standard @ Logo
	2 Red (RAL3001/D)	000A Standard ANY Logo
	3 Orange(RAL2011/P)	Any special item by
	4 Yellow(RAL1018/A)	customer request,
	5 Green(RAL6018/T)	please contact sales
	6 Blue (RAL5015/A)	department.
	8 Grey(RAL7035/D)	



DIMENSION  
N = Number of contacts

A	NX3.81
B	(N-1)X3.81

Poles	Tolerance
2p-6p	±0.15
7p-12p	±0.20
13p-16p	±0.25
17p-24p	±0.30

<b>ANYTEK</b>				<b>CUSTOMER COPY</b>			
ALL RIGHTS RESERVED. REPRODUCTION OR ISSUE TO THIRD PARTIES IN ANY FORM WHATSOEVER IS NOT PERMITTED WITHOUT WRITTEN AUTHORITY FROM THE PROPRIETOR. PROPERTY OF ANYTEK TECHNOLOGY CO., LTD							
TITLE		TS-3.81mm Series With flange (for latch on back side)					
PART NO.		TSxx31xDxxxxG			DWG NO.		8TS0304
APPROVED		CHECKED	DESIGNED	DRAWN	CUST NO.		Tolerance
		Jacke	Jacke				X. ±0.50
		2010.11.29	2009.12.23				X.X ±0.30
							X.XX ±0.10
							X° ±1°
					SHEET: 01/01		REV.: G