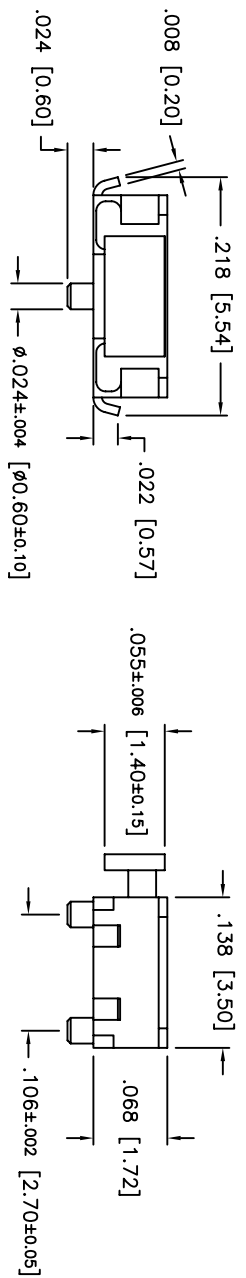
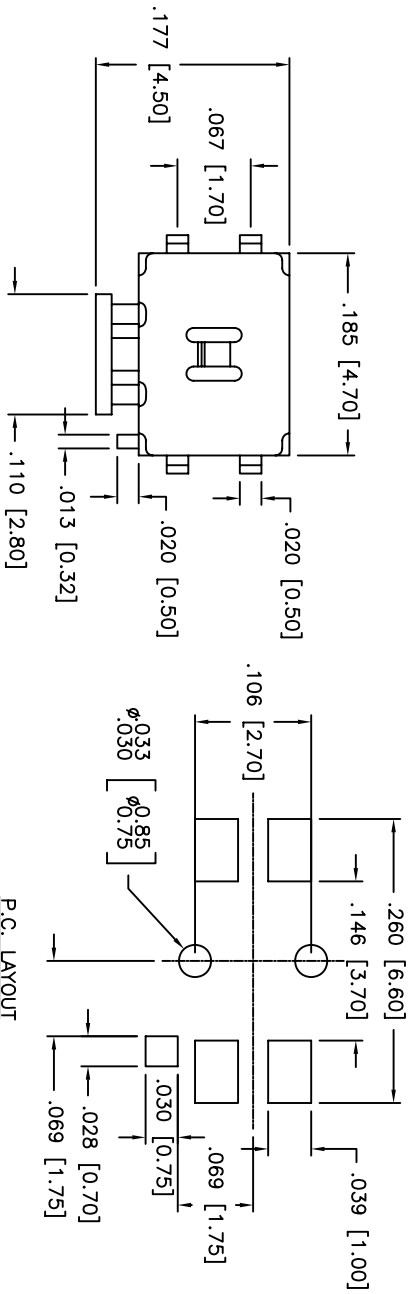
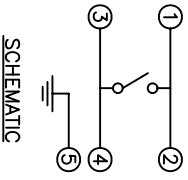


THIS DOCUMENT IS THE PROPERTY OF APM COMPONENTS AND SHALL NOT BE COPIED, REPRODUCED, DISCLOSED OR USED AS THE BASIS FOR MANUFACTURING OR SALE WITHOUT PERMISSION OF A DULY AUTHORIZED REPRESENTATIVE OF APM COMPONENTS INC.



P.C. LAYOUT
UNLESS OTHERWISE SPECIFIED
P.C. TOLERANCES ARE ±.002 [0.05]



SCHEMATIC

DATE	SYM	REVISION RECORD	DWN.	CK.
10/05	A	ECO# 483	CD	PD
2/07	B	ECO# 628	CD	PD

DESCRIPTION: SPST, MINIATURE SIDE PUSH SWITCH WITH P.C. LOCATING PINS AND SMT GULLWING TERMINALS.

SPECIFICATIONS:

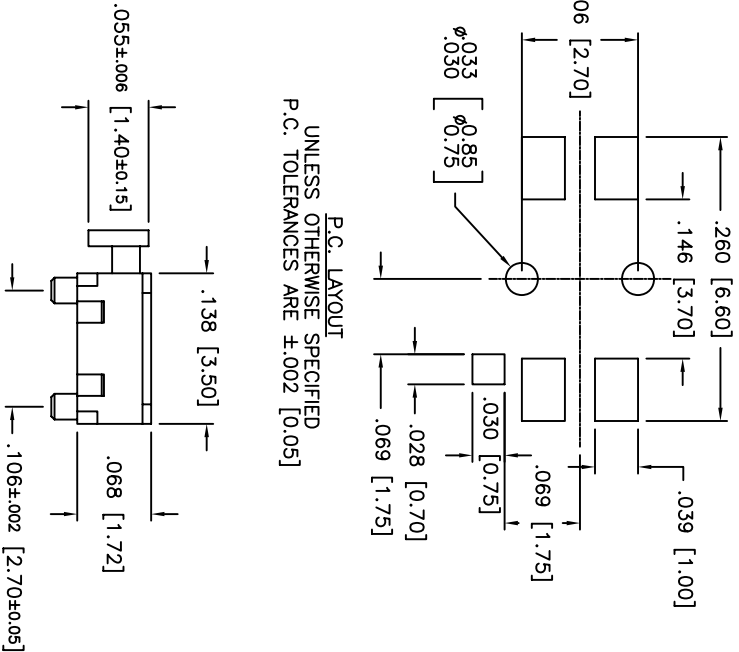
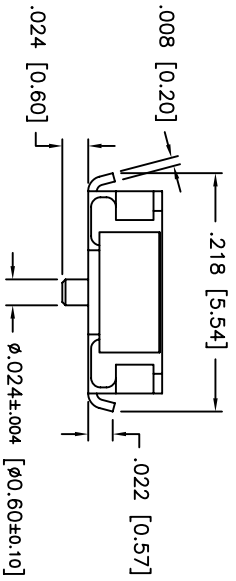
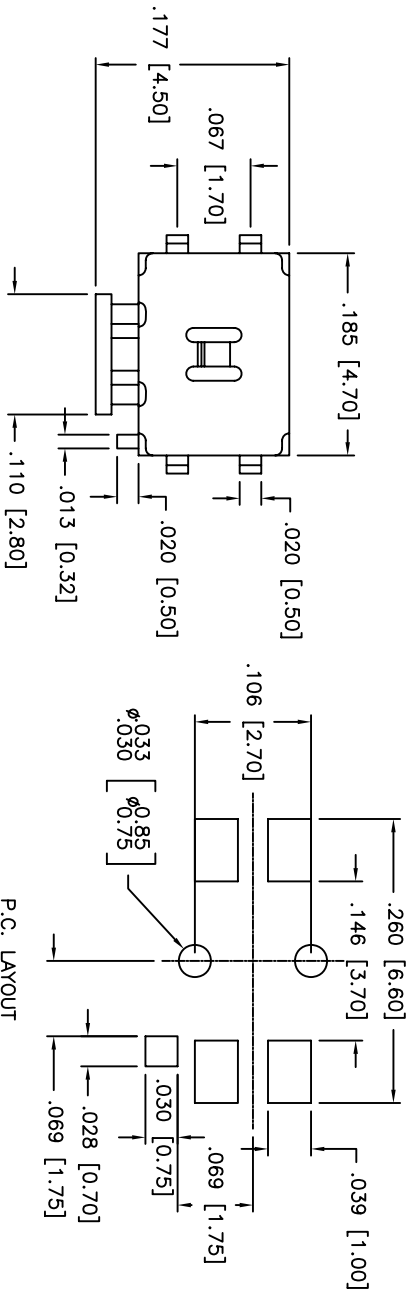
CONTACT RATING: 50ma @ 12VDC
INSULATION RESISTANCE: 100 MOHMS MIN. (500VDC)
DIELECTRIC STRENGTH: 100VAC FOR 1 MINUTE
CONTACT RESISTANCE: 100 MOHMS MAX.
SHOCK RESISTANCE: 50G PER METHOD 213B.
MIL-STD-202F
VIBRATION RESISTANCE: PASSES METHOD 201A.
MIL-STD-202F
ELECTRICAL LIFE:
100,000 CYCLES MIN.
OPERATING FORCE: 220gf ±90gf
TRAVEL: 0.30 ±0.15mm
OPERATING TEMP. RANGE: -25°C TO +70°C
STORAGE TEMP. RANGE: -30°C TO +80°C
MATERIALS

COVER: STAINLESS STEEL.
CONTACT DISK: STAINLESS STEEL.
TERMINAL: BRASS WITH SILVER PLATING.
BASE: LCP HIGH-TEMP. THERMOPLASTIC.
COLOR: BLACK.
STEM: LCP HIGH-TEMP. THERMOPLASTIC.
COLOR: BLACK.
ROHS COMPLIANT
LEAD FREE PROCESS COMPATIBLE
HAND SOLDERING: 30 WATT IRON AT 350°C FOR 5 SECONDS
IR REFLOW: 255°C MAX

<p>Q.A. INSPECT: 63 Neck Rd. 01835 Haverhill, MA Phone: 978-372-5554 Fax: 978-372-5554</p>		<p>DRN. CJD BR. PJD</p>
<p>DESIGNATES CRITICAL DIMENSION</p>	<p>TOLERANCES (UNLESS OTHERWISE SPECIFIED) .XX±.XX [0.05] .XXX±.XXX [0.20] .XXXX±.XXXX [0.02] ANGLE = 30.5°</p>	<p>THIRD ANGLE PROJECTION</p>
<p>TITLE TINY SIDE PUSH SWITCH APTCLGTR</p>	<p>SHEET 1 OF 1 SIZE B SCALE 9:1</p>	<p>REV B</p>
<p>DATE 12/16/04</p>	<p>DRAWING NO. B7626</p>	

1 2 3 4 5 6 7 8

THIS DOCUMENT IS THE PROPERTY OF APDM COMPONENTS AND SHALL NOT BE COPIED, REPRODUCED, DISCLOSED OR USED AS THE BASIS FOR MANUFACTURING OR SALE WITHOUT PERMISSION OF A DULY AUTHORIZED REPRESENTATIVE OF APDM COMPONENTS INC.

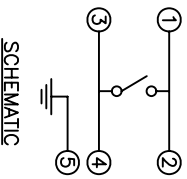


UNLESS OTHERWISE SPECIFIED
P.C. TOLERANCES ARE $\pm 0.02 [0.05]$

DESCRIPTION: SPST, MINIATURE SIDE PUSH SWITCH WITH P.C. LOCATING PINS AND SMT GULLWING TERMINALS.

SPECIFICATIONS:

CONTACT RATING: 50mA @ 12VDC
INSULATION RESISTANCE: 100 MOHMS MIN. (500VDC)
DIELECTRIC STRENGTH: 100VAC FOR 1 MINUTE
CONTACT RESISTANCE: 100 MOHMS MAX.
SHOCK RESISTANCE: 50G PER METHOD 213B, MIL-STD-202F
VIBRATION RESISTANCE: PASSES METHOD 201A, MIL-STD-202F
ELECTRICAL LIFE: 100,000 CYCLES MIN.
OPERATING FORCE: 160 \pm 50gf
TRAVEL: .008 \pm .004
OPERATING TEMP. RANGE: -25°C TO +70°C
STORAGE TEMP. RANGE: -30°C TO +80°C
MATERIALS
COVER: STAINLESS STEEL.
CONTACT DISK: STAINLESS STEEL.
TERMINAL: BRASS WITH SILVER PLATING.
BASE: LCP HIGH-TEMP. THERMOPLASTIC,
COLOR: BLACK.
STEM: LCP, HIGH-TEMP. THERMOPLASTIC,
COLOR: BLACK.
ROHS COMPLIANT
LEAD FREE PROCESS COMPATIBLE
HAND SOLDERING: 30 WATT IRON AT 350°C FOR 5 SECONDS
IR REFLOW: 255°C MAX



SCHEMATIC

DATE	SYM	REVISION RECORD	DWN.	CK.

Q.A. INSPECT:	DESIGNATES CRITICAL DIMENSION	TOLERANCES (UNLESS OTHERWISE SPECIFIED)	ANGLE = 30.5°
APDM	63 Neck Rd. 01835 Haverhill, MA Phone: 978-372-5554 Fax: 978-372-5554	10X = ±0.05 20X = ±0.025 30X = ±0.015 40X = ±0.010 50X = ±0.0075 60X = ±0.005 70X = ±0.004 80X = ±0.003 90X = ±0.0025 100X = ±0.002	REV A
DATE: 10/5/05	DRAWING NO: APTCLGTR	SHEET 1 OF 1	SCALE 9:1
TITLE: TINY SIDE PUSH SWITCH		THIRD ANGLE PROJECTION	REV A

THIS DOCUMENT IS THE PROPERTY OF APDM COMPONENTS AND SHALL NOT BE COPIED, REPRODUCED, DISCLOSED OR SALE WITHOUT PERMISSION OF A DULY AUTHORIZED REPRESENTATIVE OF APDM COMPONENTS INC.

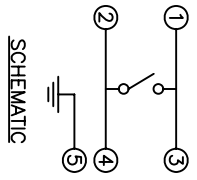
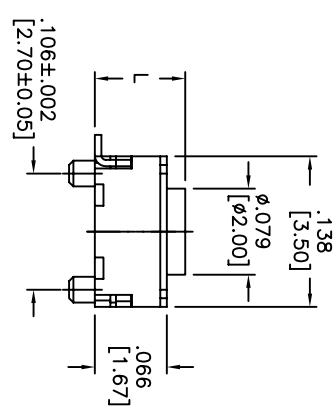
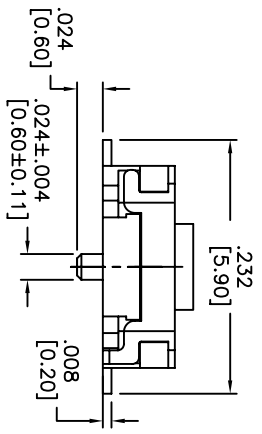
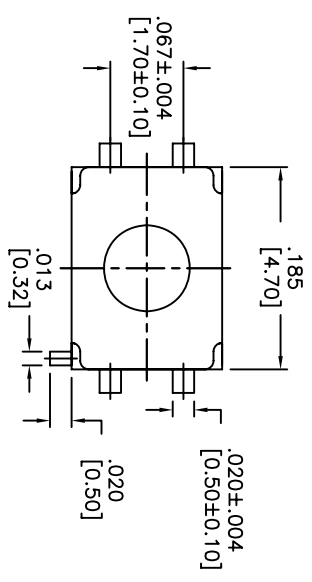
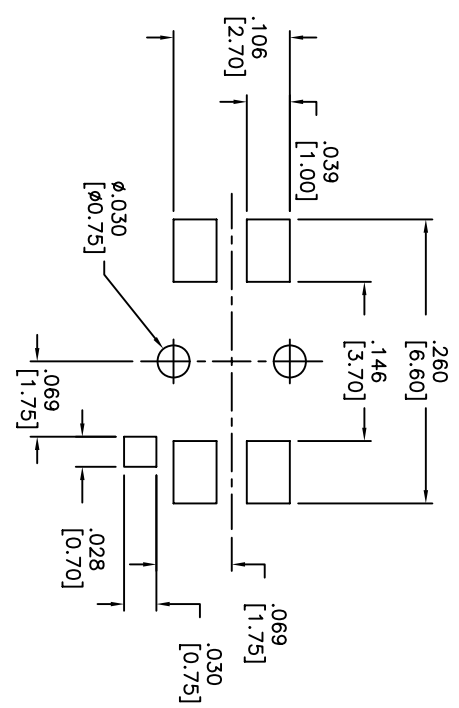
DATE	SYM	REVISION RECORD	DWN.	CK.

DESCRIPTION: SPST, MINIATURE VERTICAL PUSH SWITCH WITH P.C. LOCATING PINS AND SMT SPECIFICATIONS:

CONTACT RATING: 50mA @ 12VDC
 INSULATION RESISTANCE: 100 MOHMS MIN. (500VDC)
 DIELECTRIC STRENGTH: 250VAC FOR 1 MINUTE
 CONTACT RESISTANCE: 100 MOHMS MAX.
 SHOCK RESISTANCE: 50G PER METHOD 213B.
 MIL-STD-202F
 VIBRATION RESISTANCE: PASSES METHOD 201A.
 MIL-STD-202F
 ELECTRICAL LIFE:
 100,000 CYCLES MIN.
 OPERATING FORCE: 160±50gf
 TRAVEL: .008±.004
 OPERATING TEMP. RANGE: -25°C TO +70°C
 STORAGE TEMP. RANGE: -30°C TO +80°C
 MATERIALS

COVER: STAINLESS STEEL.
 CONTACT DISK: STAINLESS STEEL.
 TERMINAL: BRASS WITH SILVER PLATING.
 BASE: LCP HIGH-TEMP. THERMOPLASTIC,
 COLOR: BLACK.
 STEM: LCP HIGH-TEMP. THERMOPLASTIC,
 COLOR: BLACK.
 ROHS COMPLIANT
 LEAD FREE PROCESS COMPATIBLE
 HAND SOLDERING: 30 WATT IRON AT 350°C
 FOR 5 SECONDS
 IR REFLOW: 255°C MAX

P.C. LAYOUT
 UNLESS OTHERWISE SPECIFIED
 P.C. TOLERANCES ARE ±.004 [0.10]



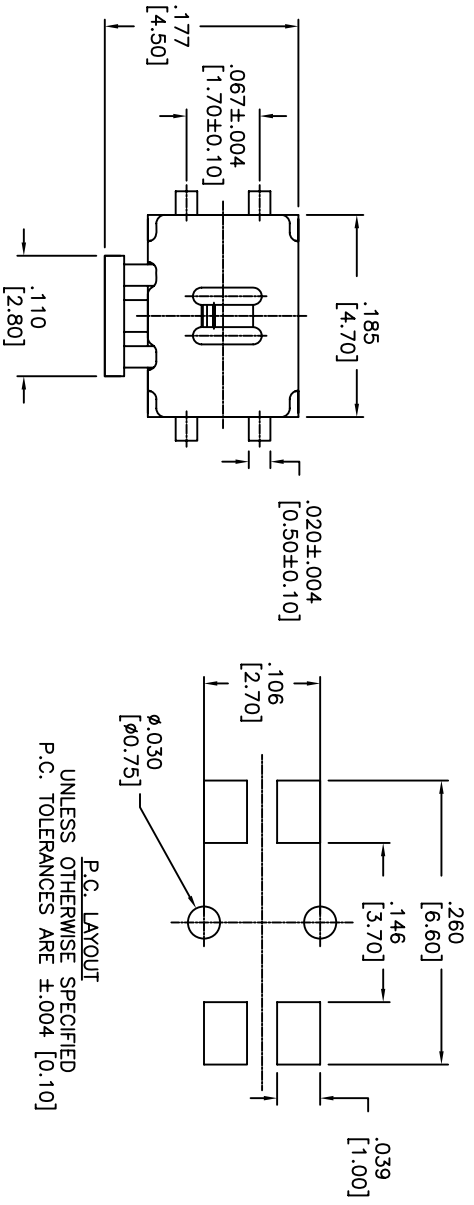
PART NO.	QTY	PRICE	TOTAL
APTFCGP1V	.0827	2.100	
APTFCGP2V	.0984	2.50	

Q.A. INSPECT:		DESIGNER'S INITIAL:		DRN.		CJD	
TOLERANCES (DIM)	1 OF 1	SHEET	B	SIZE	9:1	SCALE	THIRD ANGLE PROJECTION
TITLE				TINY VERTICAL PUSH SWITCH			
DATE		DRAWING NO.		REV		A	
7/7/05		APTFCGP*V					

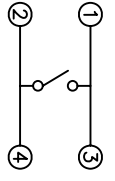
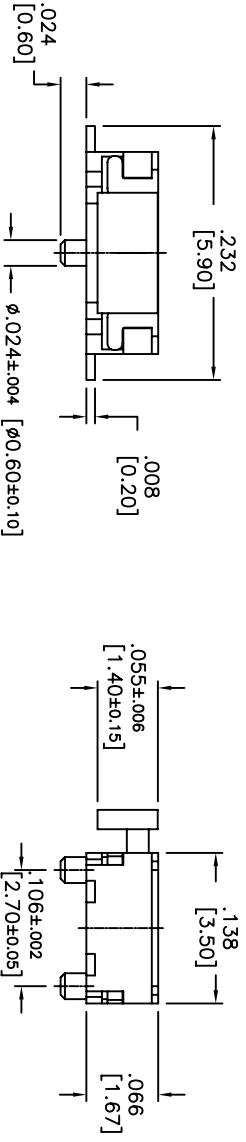
DO NOT SCALE	DATE	DRAWING NO.	REV
	7/7/05	APTFCGP*V	A

1 2 3 4 5 6 7 8

THIS DOCUMENT IS THE PROPERTY OF APDM COMPONENTS AND SHALL NOT BE COPIED, REPRODUCED, DISCLOSED OR SALE WITHOUT PERMISSION OF A DULY AUTHORIZED REPRESENTATIVE OF APDM COMPONENTS INC.



P.C. LAYOUT
UNLESS OTHERWISE SPECIFIED
P.C. TOLERANCES ARE ±.004 [0.10]



SCHEMATIC

DATE	SYM	REVISION RECORD	DWN.	CK.

DESCRIPTION: SPST, MINIATURE SIDE PUSH SWITCH WITH P.C. LOCATING PINS AND SMT SPECIFICATIONS:
 CONTACT RATING: 50mA @ 12VDC
 INSULATION RESISTANCE: 100 MOHMS MIN. (500VDC)
 DIELECTRIC STRENGTH: 250VAC FOR 1 MINUTE
 CONTACT RESISTANCE: 100 MOHMS MAX.
 SHOCK RESISTANCE: 50G PER METHOD 213B.
 MIL-STD-202F
 VIBRATION RESISTANCE: PASSES METHOD 201A.
 MIL-STD-202F
 ELECTRICAL LIFE:
 100,000 CYCLES MIN.
 OPERATING FORCE: 220 ±90g
 TRAVEL: .012 ±.004
 OPERATING TEMP. RANGE: -25°C TO +70°C
 STORAGE TEMP. RANGE: -30°C TO +80°C
 MATERIALS
 COVER: STAINLESS STEEL
 CONTACT DISK: STAINLESS STEEL.
 TERMINAL: BRASS WITH SILVER PLATING.
 BASE: LCP HIGH-TEMP. THERMOPLASTIC.
 COLOR: BLACK.
 STEM: LCP HIGH-TEMP. THERMOPLASTIC,
 COLOR: BLACK.
 TAPE: TEFLON
 TAPE & REEL PACKAGING: 3,000 PCS. PER REEL
 ROHS COMPLIANT
 LEAD FREE PROCESS COMPATIBLE
 HAND SOLDERING: 30 WATT IRON AT 350°C
 FOR 5 SECONDS
 IR REFLOW: 255°C MAX

Q.A. INSPECT: 		DESIGNER'S INITIALS: DIMENSION		DRN. CJD BR: BR: PJD	
TOLERANCES (UNLESS OTHERWISE SPECIFIED) .XX = ±.02 [0.05] .XXX = ±.008 [0.20] .XXXX = ±.0008 [0.02] ANGLE = 30.5°		APDM 63 Neck Rd. Haverhill, MA 01830 Phone: 978-372-5554 Fax: 978-372-5554		DATE: 7/7/05	
TITLE: TINY SIDE PUSH SWITCH		SHEET: 1 OF 1		SCALE: 9:1	
DO NOT SCALE DRAWING		DRAWING NO.: APTCFV		REV: A	

1 2 3 4 5 6 7 8