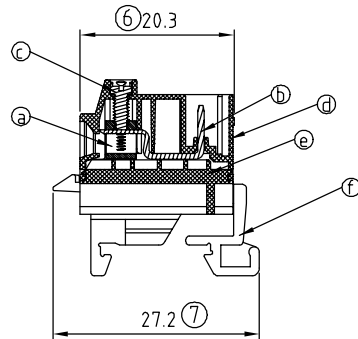
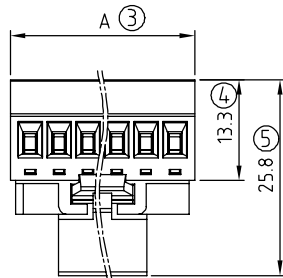
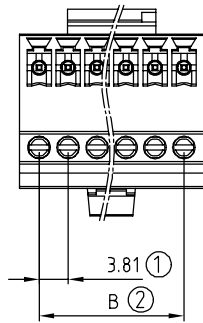


SIGN	DATE	DESCRIPTION	APPROVER
△	2011.02.25	The wire is changed from 14-30(AWG) to 14-28(AWG)	Aaron
△	2011.02.25	Add is cULus	Aaron

*THIS IS CAD DRAWING, DO NOT REVISE MANUALLY!!!*



**Material:**

- Item a Clamp: Brass Ni plated
  - Item b Male contact pin: Brass, Tin plated.
  - Item c Terminal screw: Steel Zinc plating
  - Item d Terminal housing: Thermoplastic (UL94V-0)
  - Item e Terminal cover: Thermoplastic (UL94V-0)
  - Item f Terminal(track): Thermoplastic (UL94V-0)
- Electrical: cULus**
- Voltage rating:300V
  - Current rating: 8A
  - Wire range:
  - △ ● Solid wire(AWG):14-28
  - △ ● Stranded wire(AWG):14-28
  - Torque(Lb-In):2.17
  - Screw:M2
  - Wire strip length: 6 mm
  - Withstanding Voltage:1.6KV
  - Operating temperature:-40°C to +115°C
  - △ ● Safety Approval:

**V5 xx 31 x 2 xxxx G**

- |                |                     |                                       |
|----------------|---------------------|---------------------------------------|
| No. OF POLES   |                     | G: Pb<40000ppm                        |
| 03 3 CONTACTS  |                     | 0000: "@" Logo (Standard)             |
| 04 4 CONTACTS  | Color               | 000A: "ANYTEK" Mark                   |
| ...            | 0 Black (RAL9005)   | Any special item by customer request. |
| 24 24 CONTACTS | 2 Red (RAL3001/D)   | please contact sales department.      |
|                | 3 Orange(RAL2011/P) |                                       |
|                | 4 Yellow(RAL1018/A) |                                       |
|                | 5 Green(RAL6018/T)  |                                       |
|                | 6 Blue (RAL5015/A)  |                                       |
|                | 8 Grey(RAL7035/D)   |                                       |

POLE		2	3	4	5	6	7	8	9	10	11	12
A		/	12.82	16.63	20.44	24.25	28.06	31.87	35.68	39.49	43.30	47.11
B		/	7.62	11.43	15.24	19.05	22.86	26.67	30.48	34.29	38.10	41.91
Tol.			±0.10				±0.15					
POLE	13	14	15	16	17	18	19	20	21	22	23	24
A	50.92	54.73	58.54	62.35	66.16	69.97	73.78	77.59	81.40	85.21	89.02	92.83
B	45.72	49.53	53.34	57.15	60.96	64.77	68.58	72.39	76.20	80.01	83.82	87.63
Tol.			±0.20				±0.30					

<b>ANYTEK</b>				<b>CUSTOMER COPY</b>			
ALL RIGHTS RESERVED. REPRODUCTION OR ISSUE TO THIRD PARTIES IN ANY FORM WHATSOEVER IS NOT PERMITTED WITHOUT WRITTEN AUTHORITY FROM THE PROPRIETOR. PROPERTY OF ANYTEK TECHNOLOGY CO., LTD							
TITLE	V5 3.81 mm W/O Flange Dinrail holder A type Series						
PART NO.	V5xx31x2xxxxG			DWG NO.	8V50102		
APPROVED	CHECKED	DESIGNED	DRAWN	CUST NO.	Tolerance		
		Aaron 2011.02.25	Jacke 2009.08.27		X. ±0.50		
					X.X ±0.30		
					X.XX ±0.10		
					X* ±1°		
				SHEET: 01/01	UNIT: mm	SCALE: NONE	REV: C