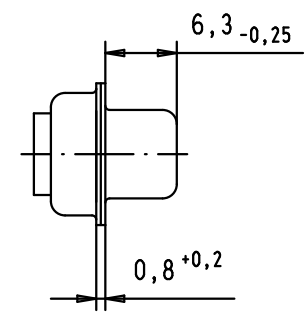
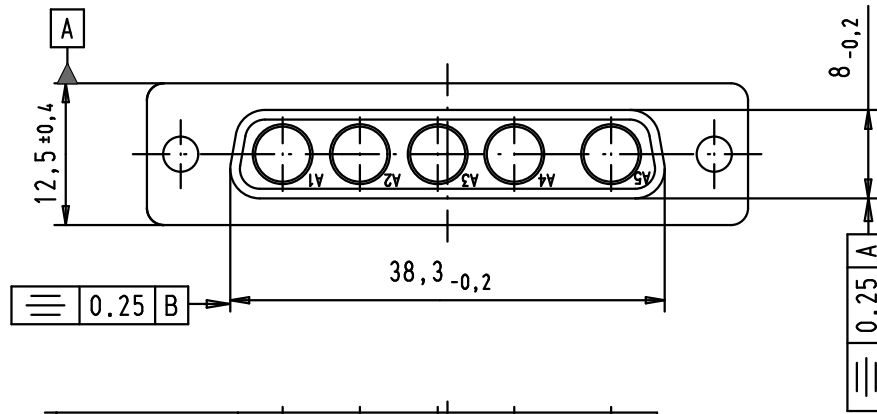
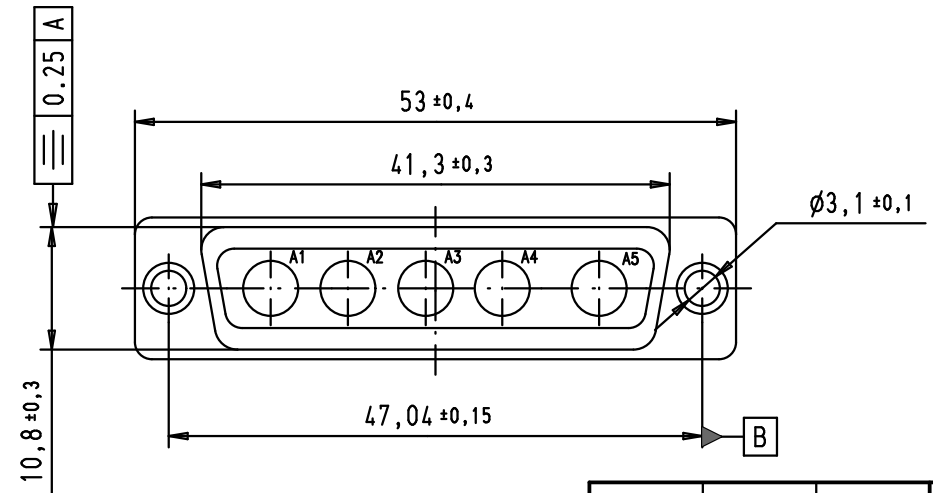
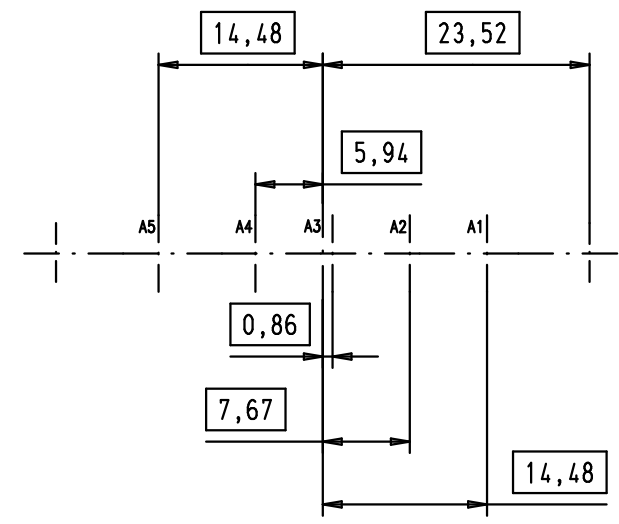
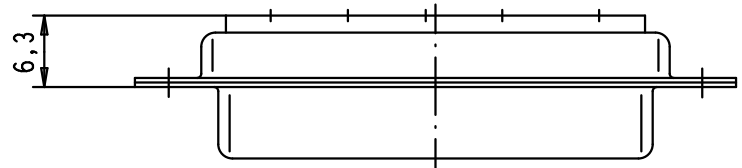


5 4 3 2 1



PCB layout hole, component side

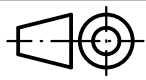



D

C

B

A

09 69 300 0055.500	Non magnetic				Detail.	Dat.	Name	 All Dim. in mm Orig. Size DIN A 4	D-Sub, female, 5W5 without contacts, with tin plated shell	Maßstab/ Scale 1,5:1	
		EC01706	21/04/10	SC	Insp.	12/11/01	AF				
		32119	23/06/04	AC	Stand.						
		31519	03/07/03	TCP							
		29742	12/11/01	AF							
09 69 300 0055											
Part number											
		Mod.	Dat.	Name	HARTING EURL F-95972 Paris				TB 09 69 300 0055	Blatt/ Page 1 / 1	
									Sub.		