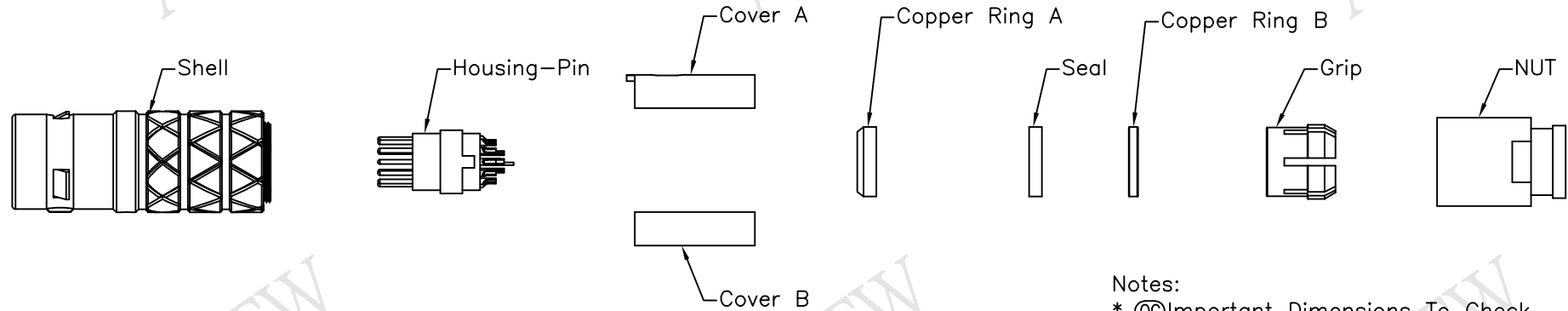
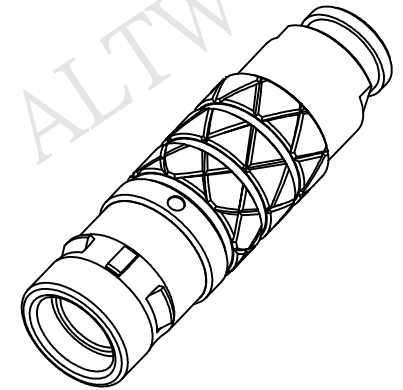
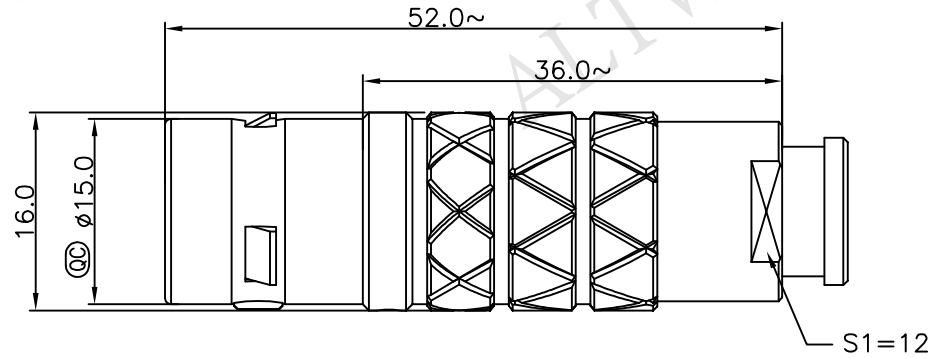


REV.	DESCRIPTION

THIS DOCUMENT IS SUBJECT TO CHANGE WITHOUT NOTICE. IT IS CONFIDENTIAL AND A PROPERTY OF Amphenol LTW. DISCLOSURE TO THIRD PARTY HAS TO BE AUTHORIZED BY Amphenol LTW.



- Notes:
- \*  $\text{ø}$  Important Dimensions To Check.
  - \* Waterproof Rate: IP68  
(Mated, by Applying O-ring and Potting Material)
  - \* Male Pin: Copper Alloy, Gold Plated.

UNIT:mm	
TOLERANCE	
±0.5MM	

TITLE FLO 2K FI CONNECTOR		
SCALE Free	SHEET 1 OF 2	
REV. 01	SIZE A4	$\text{ø}$ : Inspection Item

**Amphenol LTW**  
安費諾亮泰企業股份有限公司

ITEM NO FLKD-XXFGMS-XCP-2XX	DRAWN BY Ouyang
DWG NO FLKD-XXFGMS-XCP-2XX	CHECKED BY Mafei
CUSTOMER ALTW	APPROVED BY Jerry

DATE 2018/09/04
DATE 2018/09/04
DATE 2018/09/04

THIS DOCUMENT IS SUBJECT TO CHANGE WITHOUT NOTICE. IT IS CONFIDENTIAL AND A PROPERTY OF Amphenol LTW. DISCLOSURE TO THIRD PARTY HAS TO BE AUTHORIZED BY Amphenol LTW.



FLKD-XXFGMS-XCP-2XX

- CABLE OD ①
- KEY POINT ②
- PIN CONFIGURATION ③
- SIZE(CONNECTOR)

2K-SERIES CABLE COLLET(CABLE OD)			
CABLE CLAMP SET		CABLE DIA RANGE	
TYPE	CODE ①	MAX	MIN
FLKD-XXFGMS-XCP-2XX	15	6.7	6.5
	17	7.7	7.5
	18	8.7	8.5

KEY POINT					
CODE ②	G	A	B	C	D
	0°	30°	45°	60°	95°
GRAPHIC					

PIN CONFIGURATION (Solder Definition) ③							
GRAPHIC							
	2 PIN	3 PIN	4 PIN	5 PIN	6 PIN	7 PIN	
GRAPHIC							
	8 PIN	10 PIN	12 PIN	14 PIN	16 PIN	18 PIN	19 PIN

UNIT:mm		TITLE	<b>FLO 2K FI CONNECTOR</b>		ITEM NO	FLKD-XXFGMS-XCP-2XX	DRAWN BY	Ouyang	DATE	2018/09/04	
TOLERANCE	±0.5MM	SCALE	Free	SHEET	2 OF 2	DWG NO	FLKD-XXFGMS-XCP-2XX	CHECKED BY	Mafei	DATE	2018/09/04
		REV.	01	SIZE	A4	CUSTOMER	ALTW	APPROVED BY	Jerry	DATE	2018/09/04
				<b>Amphenol LTW</b>							
				安費諾亮泰企業股份有限公司							