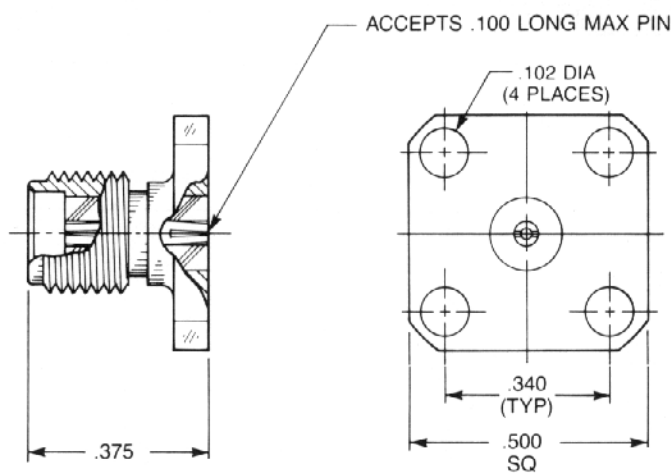




HERMETIC SEAL LAUNCHERS

FOR .020" DIAMETER PINS

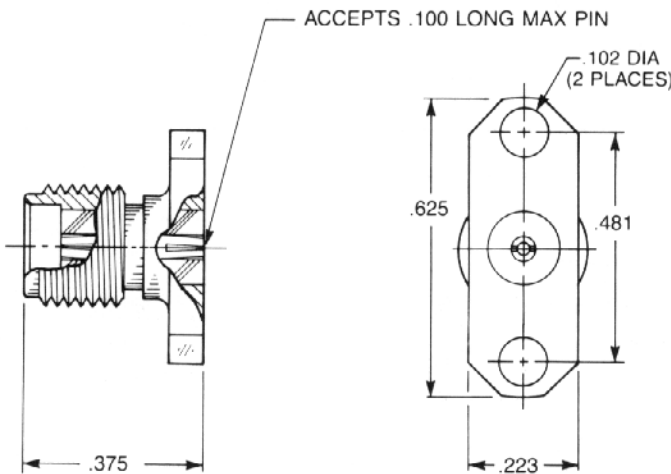
The hermetic seal launchers shown here are designed for use with seals having a .020" pin diameter, and a .160" outer ring diameter. The contact and insulator diameters are constant through these connectors, since they do not require the internal compensation featured in the launchers for smaller seals. The large outer diameter of the seals precludes the use of EMI gaskets on these connectors.



Straight Jack 1/2" Square Flange

9504-9113-031

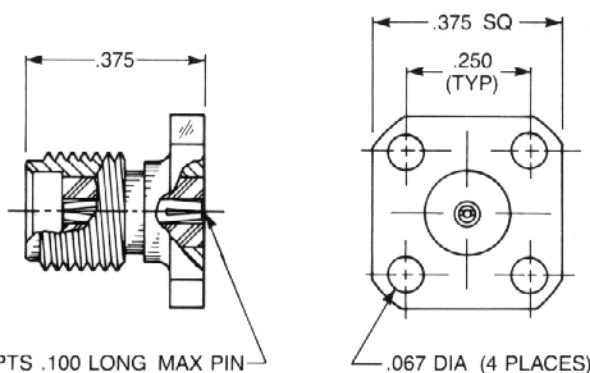
9504-9113-034 (Includes 920-69)



Straight Jack 2-Hole Flange

9508-9113-002

9508-9113-003 (Includes 920-69)



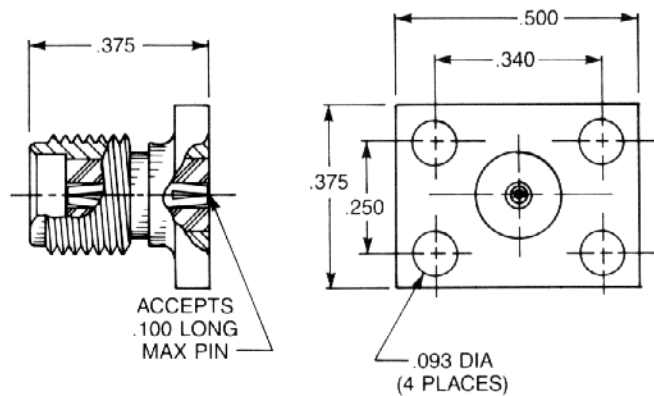
Straight Jack 3/8" Square Flange

9576-9113-001

9576-9113-002 (Includes 920-69)

**Straight Jack
Rectangular Flange**

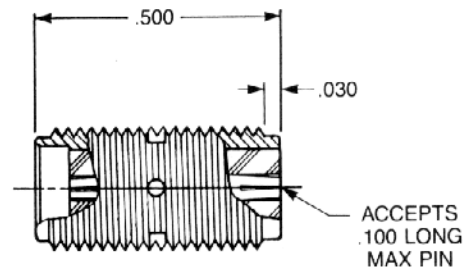
9507-9113-003
9507-9113-004 (Includes 920-69)



**Straight Jack
Screw-In Mounting**

9513-9113-009
9513-9113-012 (Includes 920-69)

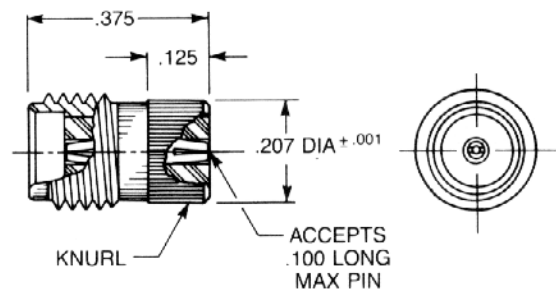
These connectors require a minimum package wall thickness of .250" for proper retention



**Straight Jack
Knurl Mount**

9533-9113-003
9533-9113-002 (Includes 920-69)

These connectors require a minimum package wall thickness of .235" for proper retention



Solder-In Hermetic Seal

P/N 920-69

See page 45 for material and finish specifications and mounting dimensions.

