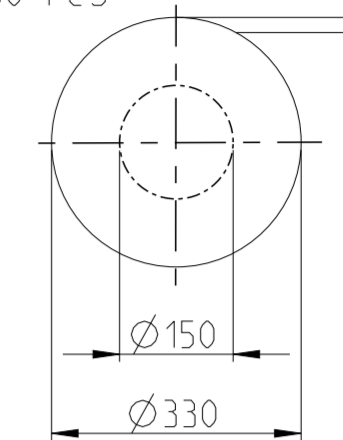
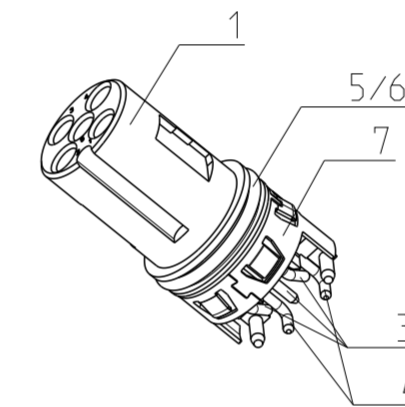
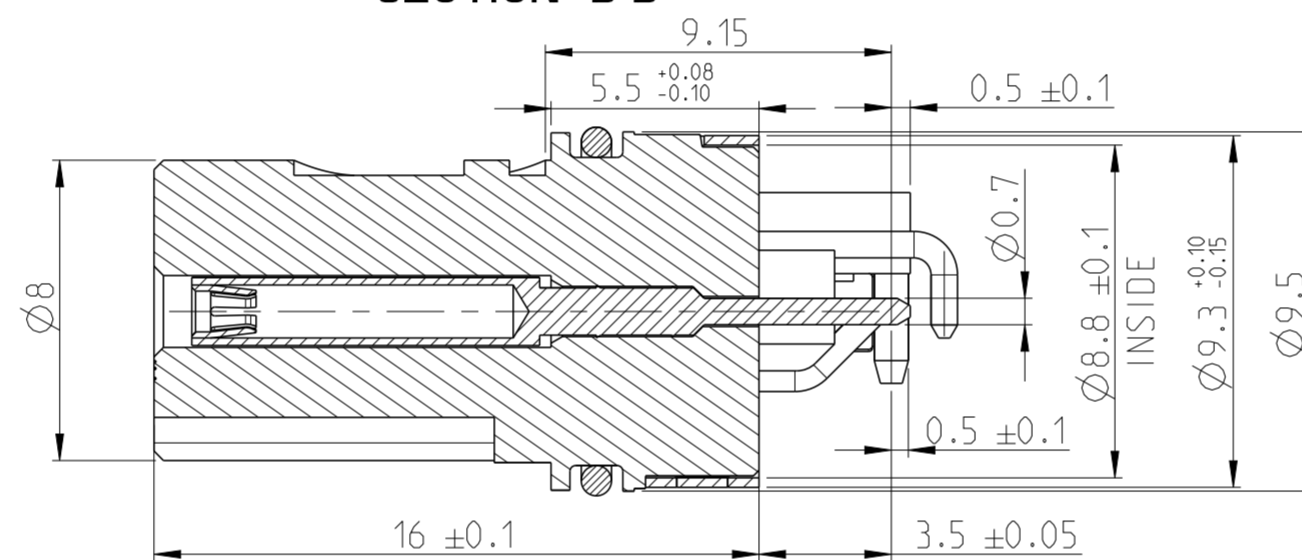
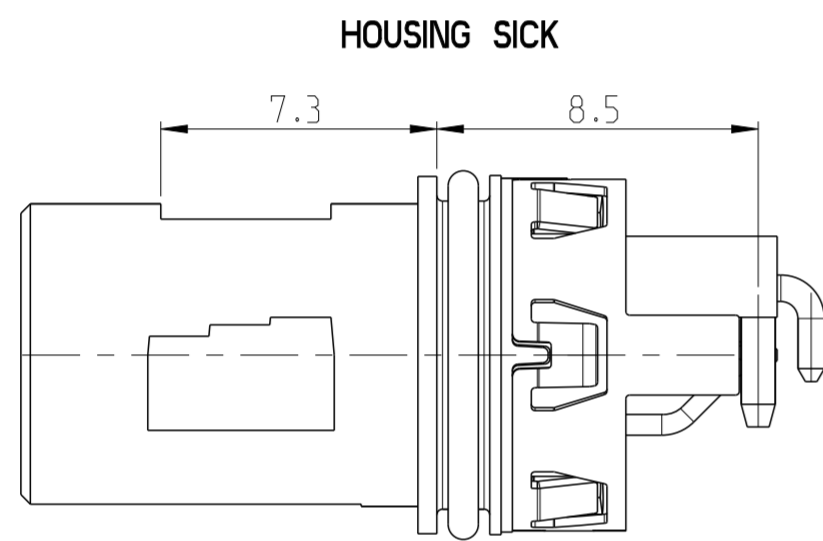
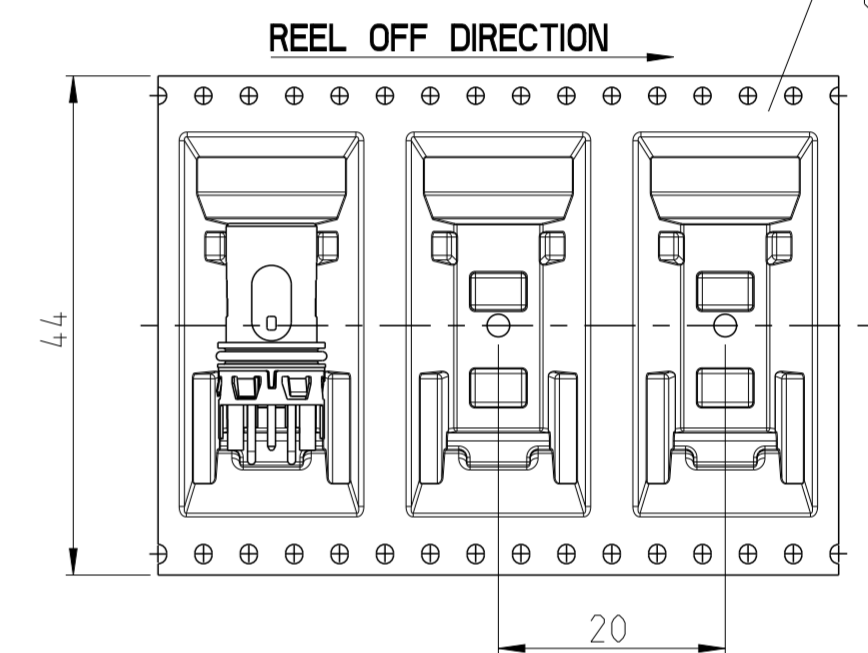


REVISIONS				
P	LTR	DESCRIPTION	DATE	APVD
A1		NEW DRAWING	24APR2023	NK
D1		DRAWING RE-CREATED IN CREO	02AUG2023	NK

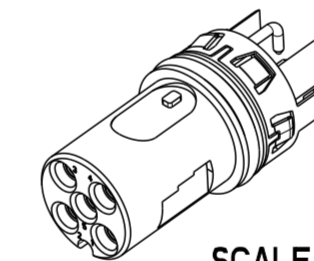
TAPE ON REEL PACKAGING ACCORDING TO DIN IEC 60286-3  
PACKAGING UNIT: 250 PCS



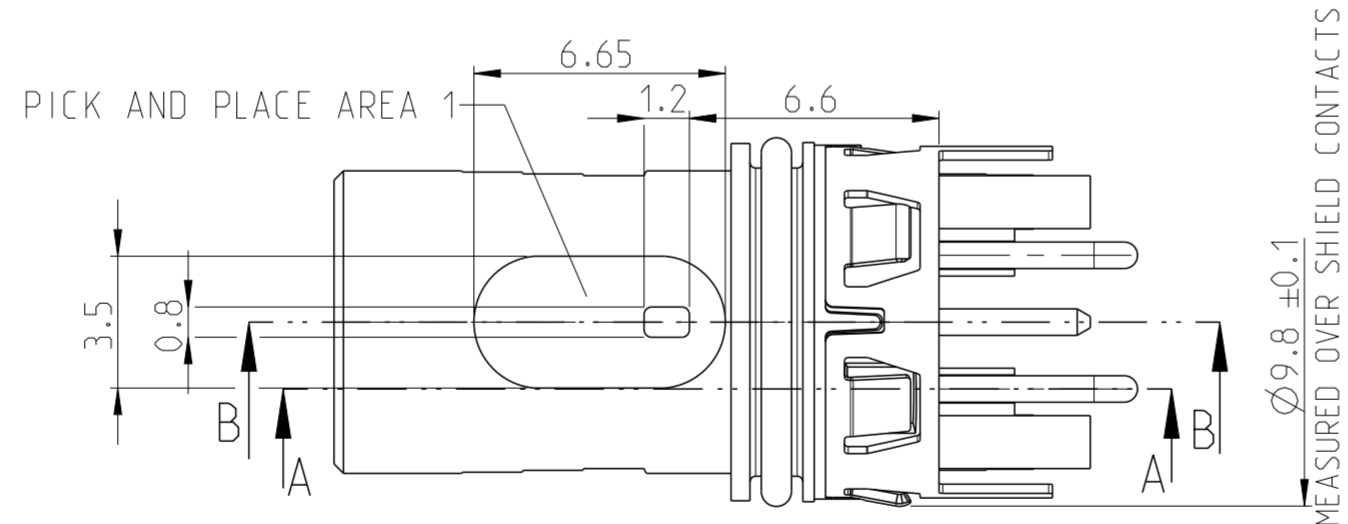
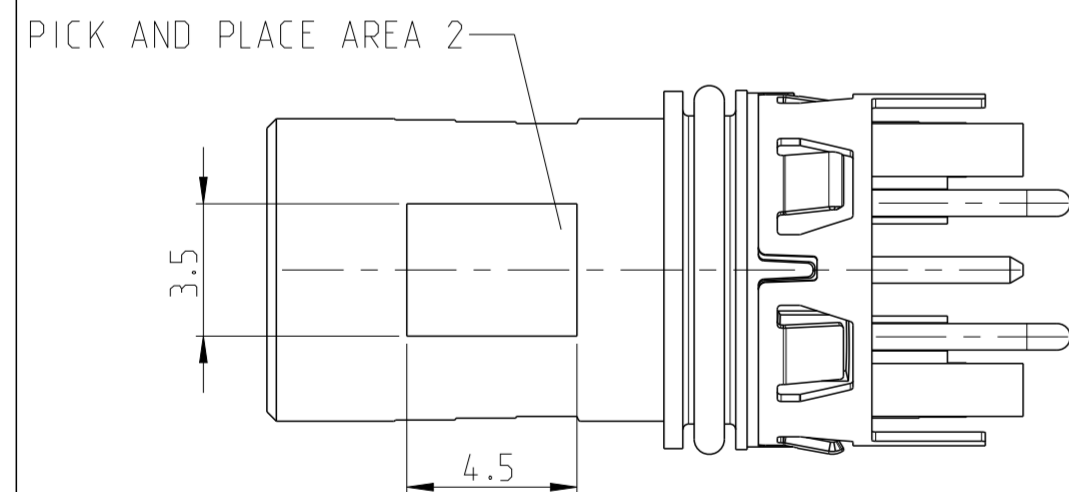
**PIN 1** CONSIDER MOUNTING POSITION



INDICATED PART NO.  
235164-E HOUSING ITEM 1



SCALE 2:1



225273-E	POTTING RECOMMENDED
225275-E	POTTING NOT NEEDED
225457-E	POTTING RECOMMENDED
235164-E	POTTING NOT NEEDED

**PART NO.** **REMARK**

1	1	1	1	-	TAPE AND REEL	8
-	1	-	1	-	SHIELD	7
-	-	1	1	-	O-RING 7.2x0.8	6
-	-	-	-	-	O-RING 7.2x0.85	5
2	2	2	2	-	PIN 3,4	4
3	3	3	3	-	PIN 1,2,5	3
-	-	1	-	-	M12 HOUSING SICK	2
1	1	-	1	-	M12 HOUSING	1

**225273-E 225275-E 225457-E 235164-E REV DESCRIPTION ITEM NO.**

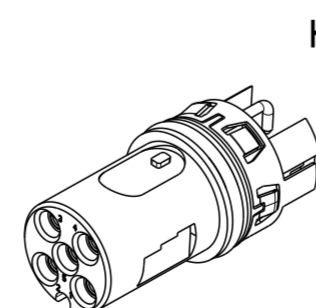
REV OF EACH ASSY NO. (WHEN BLANK, USE DWG. REV)

QTY

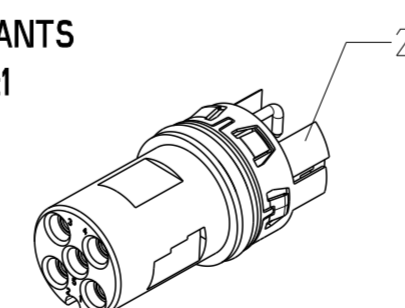
PARTS LIST

- CHECK ACCORDING DEFINED CRITERIA
- CHECK WITH MASTER GAUGE
- SHIELDING MUST REMAIN LOCKED AND CLOSED ON INSULATION BODY UNTIL FINAL ASSEMBLY AT THE END CUSTOMER
- MATING FACE ACCORDING TO IEC 61076-2-101
- RECOMMENDED DIMENSION FOR INTEGRATION IN HOUSING ACCORDING TO 114-94782
- PCB-LAYOUT PROPOSAL ACCORDING TO DOCUMENT 114-94782

CRITICAL CHARACTERISTIC



INDICATED HOUSING ITEM 1

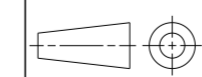


INDICATED HOUSING ITEM 2 (SICK)

HOUSING VARIANTS  
SCALE 2:1

THIS DRAWING IS A CONTROLLED DOCUMENT.

DIMENSIONS:  
mm



MATERIAL

TOLERANCES UNLESS OTHERWISE SPECIFIED:  
ISO 8015  
0 PLC ±  
1 PLC ±  
2 PLC ±  
3 PLC ±  
4 PLC ±  
ANGLES ±  
FINISH

DWN N K NIKHIL 24APR2023  
CHK M SZELAG 26APR2023  
APVD J DE BRUIJN 26APR2023  
PRODUCT SPEC 108-94897  
APPLICATION SPEC 114-94782  
WEIGHT -  
CUSTOMER DRAWING

TE Connectivity  
M12 FEMALE, A CODE, RA, 5P THR REAR MOUNT  
SIZE A2 CAGE CODE 00779 DRAWING NO. C-225273-E RESTRICTED TO -  
SCALE 5:1 SHEET 1 OF 1 REV 01