

Linear Type (Exclusively Used to Detect the Angle of Vehicle Head Lights) RD7 Series

[| Dimensions](#) | [| Mounting Hole Dimensions](#) | [| Circuit Diagram](#) | [| Linearity](#) |
[| Packing Specifications](#) | [| Soldering Conditions](#) | [| 3D CAD](#) |



Part number
RD7091008A

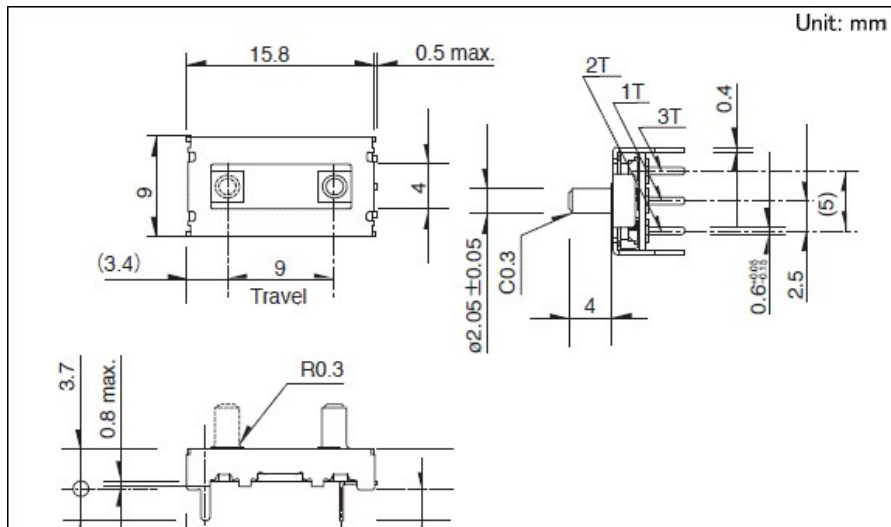
- [Q Inquiry](#)
- [Series Common Info](#)
- [Print](#)

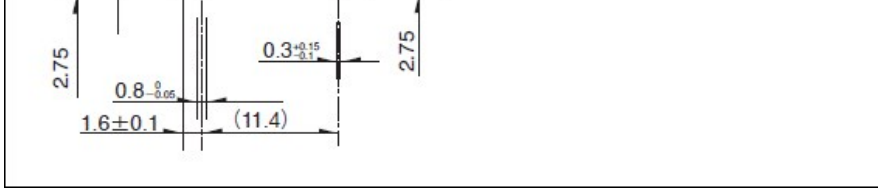
Travel	9 mm	
Mounting method	Horizontal type	
Total resistance	5kΩ	
Linearity	±1%	
Operating life	100,000 cycles	
Rated voltage	12V DC	
Operating temperature range	-40°C to +105°C	
Mechanical performance	Operating force	2N max.
Electrical performance	Total resistance tolerance	±20%
Environmental test	Cold	-40°C 96h
	Dry heat	105°C 96h
	Damp heat	40°C, 90 to 95%RH 96h
Minimum order unit (pcs.)	Japan	1,800
	Export	3,600

3D CAD (STEP) [↓](#)

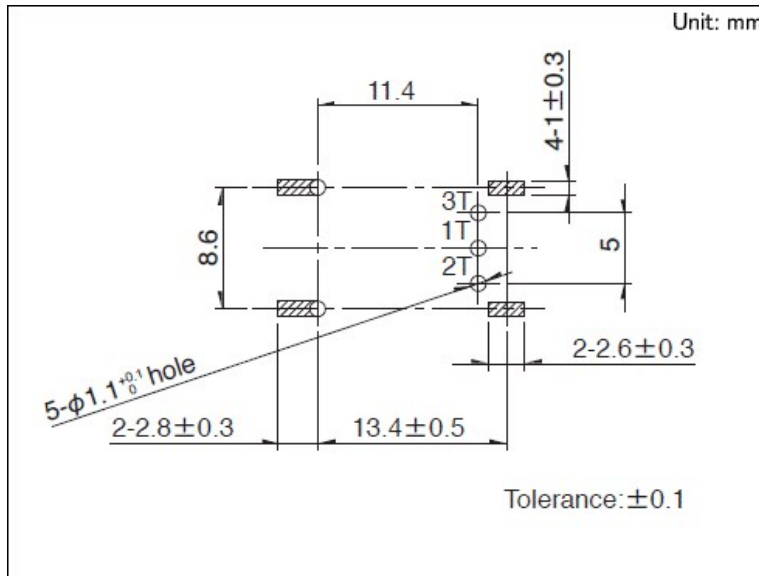
Certificate of Compliance to RoHS regulations [↓](#)

Dimensions



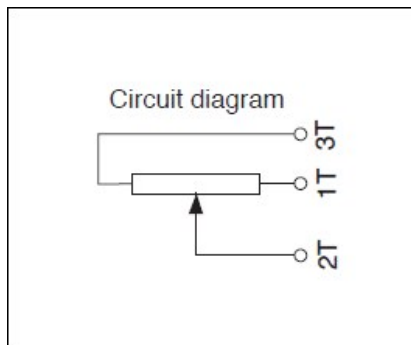


Mounting Hole Dimensions



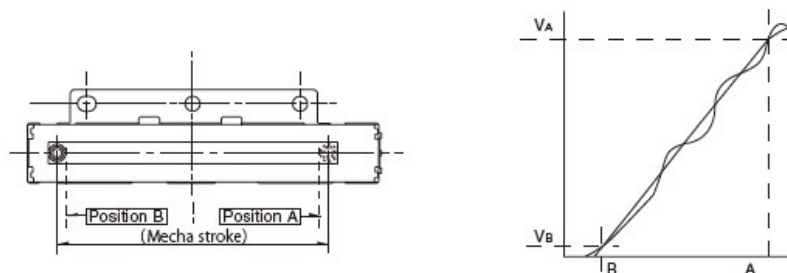
Viewed from mounting side.
Do not wire the shaded area

Circuit Diagram



Linearity

With rated voltage applied between terminals 1 and 3, the straight line which connects the measured output values V_B and V_A at specified reference positions B and A is assumed to be an ideal straight line, so that deviation against the ideal straight line when the voltage applied between terminals 1 and 3 is assumed to be 100% can be expressed as a percentage.



Packing Specifications

Tray

Number of packages (pcs.)	1 case / Japan	1,800
	1 case / export packing	3,600

Soldering Conditions

Reference for Dip Soldering

Preheating	Soldering surface temperature	100°C max.
	Heating time	1 min. max.
Dip soldering	Soldering temperature	260°C max.
	Soldering time	5s max.
No. of solders		1 time

Reference for Hand Soldering

Tip temperature		350°C max.
Soldering time		3s max.

Notes are common to this series/models.

1. This site catalog shows only outline specifications. When using the products, please obtain formal specifications for supply.
2. For Linearity, various specifications will be available, depending on the applications. Please consult with us when lacing your orders.
3. Place your purchase order in N minimum package units (N: integer).
4. Ask us for the export packaging unit.

Inquiries about Products

