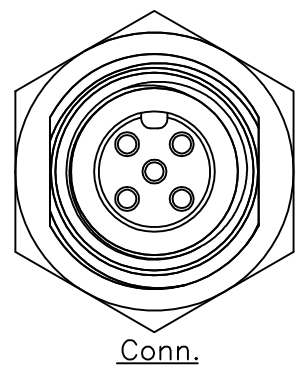
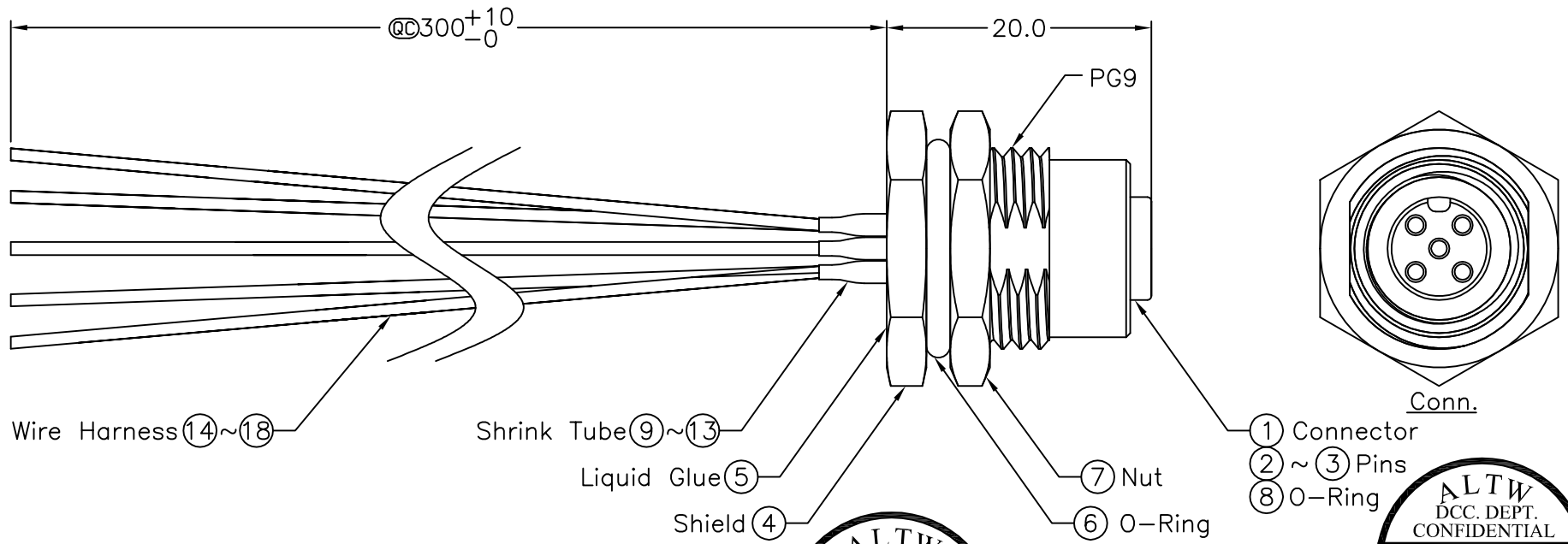
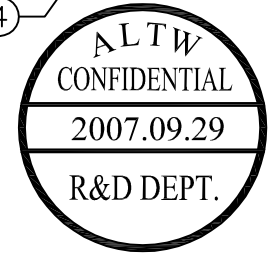
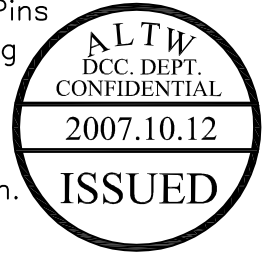


REV.	ECN NO.	DATE	SIGN	DESCRIPTION
B	LEN-7A0187	2007/09/29	Myrdal	Added Note



Conn.

- ① Connector
- ② ~ ③ Pins
- ④ O-Ring



Note:

- * @@Important Dimension.
- * Waterproof Rate: IP68
- * Connector: Black, Nylon+GF
- * Female Pin: Copper Alloy, Gold Plated
- * Shield: Zinc Alloy, Nickel Plated
- * Nut: Zinc Alloy, Nickel Plated
- * O-Ring: Black, EPDM
- * O-Ring: Green, Viton
- * For Panel Thickness Max 4.5mm
- * Wire Harness: UL1007 (5PCS)
- * Nut Torque: 4-6 kgf.cm

Wire Harness ⑭~⑰

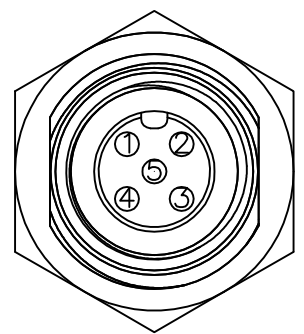
Shrink Tube ⑨~⑬

Liquid Glue ⑤

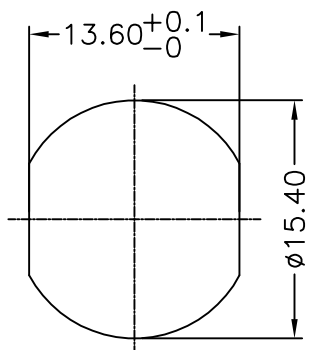
Shield ④

⑦ Nut

⑥ O-Ring



Pin Assignments
Front View



Recommended Panel Cut-Out

5	Blue	(22AWG)
4	White	(22AWG)
3	Black	(18AWG)
2	Red	(18AWG)
1	Green	(22AWG)
Conn.	Wire Color	
	Pin Out	

UNIT:mm	
TOLERANCE	
.X	±0.25
.XX	±0.1
.XXX	±0.05
ANGLES	±1°

TITLE		M12 Conn NMEA	
Panel Screw 5Pin F Conn F Pin			
SCALE	Free	SHEET	1 OF 1
REV.	B	SIZE	A4
@@ :Inspection Item			

Amphenol LTW
安費諾亮泰企業股份有限公司

ITEM NO	MC-05PFFS-SF8001
DWG NO	MC-05PFFS-SF8001
CUSTOMER	ALTW

DRAWN BY	Myrdal Manzano
CHECKED BY	Alan MJ Sundo
APPROVED BY	Cloud

DATE	2007/09/29
DATE	2007/10/02
DATE	2007/10/04

THIS DOCUMENT IS SUBJECT TO CHANGE WITHOUT NOTICE. IT IS CONFIDENTIAL AND A PROPERTY OF Amphenol LTW. DISCLOSURE TO THIRD PARTY HAS TO BE AUTHORIZED BY Amphenol LTW.