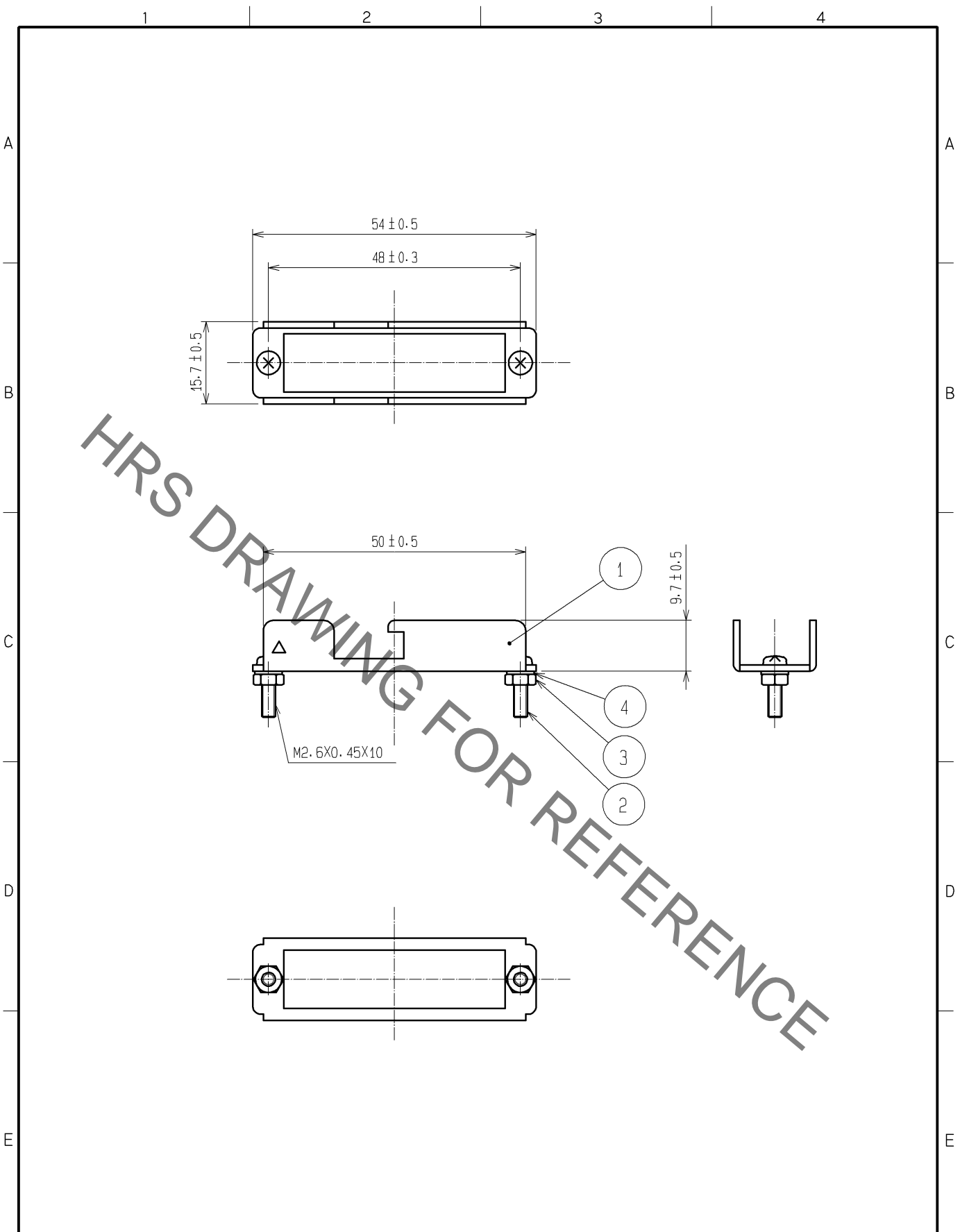


Jun.1.2019 Copyright 2019 HIROSE ELECTRIC CO., LTD. All Rights Reserved.
 In case of consideration for using Automotive equipment / device which demand high reliability, kindly contact our sales window correspondents.



2	STEEL	OVER : NICKEL PLATING 2µm MIN UNDER : COPPER PLATING 1µm MIN	4	STEEL	OVER : NICKEL PLATING 2µm MIN UNDER : COPPER PLATING 1µm MIN		
1	STEEL	OVER : NICKEL PLATING 3µm MIN UNDER : COPPER PLATING 1µm MIN	3	STEEL	OVER : NICKEL PLATING 2µm MIN UNDER : COPPER PLATING 1µm MIN		
NO.	MATERIAL	FINISH , REMARKS	NO.	MATERIAL	FINISH , REMARKS		
UNITS mm		SCALE 1 : 1	COUNT 	DESCRIPTION OF REVISIONS	DESIGNED	CHECKED	DATE
HIROSE ELECTRIC CO., LTD.		APPROVED : YH. ENAMI	08. 04. 17	DRAWING NO. EDC3-006012-01			
		CHECKED : HO. MIWA	08. 04. 16	PART NO. P-1645A-STA(51)			
		DESIGNED : KI. NAGANUMA	08. 04. 16	CODE NO. CL216-0124-5-51			
		DRAWN : KI. NAGANUMA	08. 04. 16	1/1			