

# 承认书

## APPROVAL SHEET



客户名称  
Customer Name: Q

客户料号  
Customer P/N:

客户机种  
Customer Product:

|                             |                                       |  |
|-----------------------------|---------------------------------------|--|
| 客户确认回复<br>Customer Approval | <input type="checkbox"/> 合格<br>PASSED | <input type="checkbox"/> 不合格<br>REJECTED |
|-----------------------------|---------------------------------------|--|

不合格原因  
Reasons for the rejected

|                   |            |
|-------------------|------------|
| 确认人<br>Confirm By | 日期<br>Date |
|-------------------|------------|

供应商: 东莞市长泰尔电子有限公司  
**SUPPLIER: DONG GUAN CHANG TAI ER ELECTRONIC., LTD.**

产品类别:  
Part Category 电位器

产品料号:  
Part Number R087D0N0-KQ15C6.0-B104-00A-A

产品摘要:  
Part Note Country origin of CHINA




|   |   |  |   |  |   |  |
|---|---|--|---|--|---|--|
| <br>长泰尔 | <br>IS09001:2015/ISO14001:2015 | <br>UKAS QUALITY MANAGEMENT 014 | 承办<br>Prepared By   | 品质<br>审核<br>Quality By   | 工程<br>审核<br>Engineering By  | 工程<br>核准<br>Approved By  |
|   | <br>16949:2016                 | <br>RoHS符合                      | <br>工程<br>2019.06.13<br>谢敏 | <br>品管部<br>2019.06.13<br>郑丽芳 | <br>工程<br>2019.06.13<br>喻钊 | <br>工程<br>2019.06.13<br>彭先炎 |

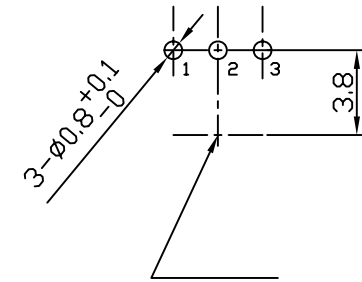
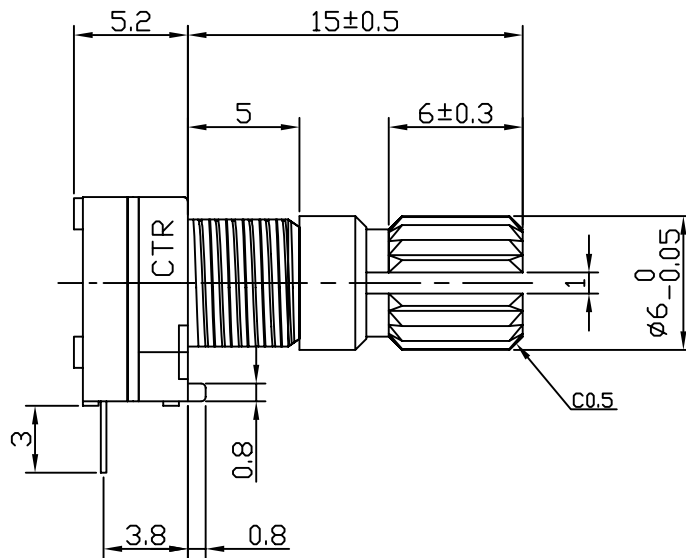
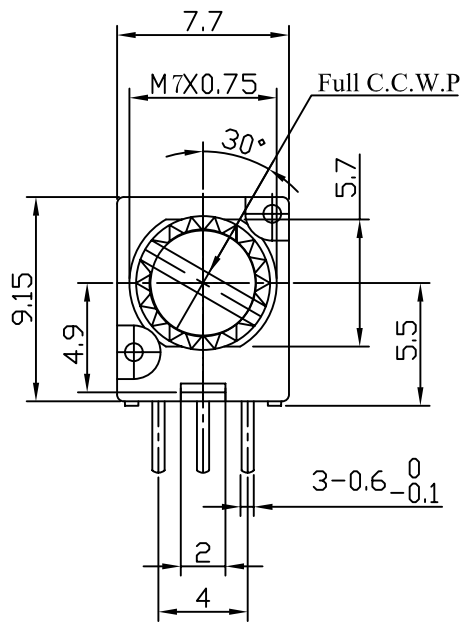
|   |  |
|---|--|
| <b>东莞工厂</b><br><b>DONG GUAN FACTORY</b><br>地址: 广东省东莞市厚街镇白濠工业区世纪路18号<br>Add:NO.18.Century Road ,Baihao Industrial Area,<br>HouJie Town,Dongguan City,Guangdong Province,China.<br>TEL: 0769-83085666、Dir:85911465、83085818、83085838<br>FAX: 0769-85911497、83085777<br>Http://www.changtaier.com<br>E-mail:webmaster@changtaier.com | <b>泉州办事处</b><br><b>QUANZHOU OFFICE</b><br>地址: 福建省泉州市丰泽区东湖街道浔埔社区双江工业大楼A栋3楼<br>Add:Floor 3 ,Buid A,Shuang Jiang Industrial Edifice,Xu Pu Community,Dong Hu Street,<br>Feng Ze Borough ,QuanZhou City, FuJian Province.<br>TEL: 0595-22221511 TAC:13489209470<br>FAX: 0595-22251511 |
|---|--|

# 电位器规格书

## POTENTIOMETER SPECIFICATIONS

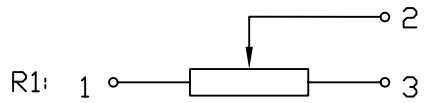
|  |   |
|--|---|
| <b>1 一般事项</b><br><b>General information</b>        |   |
| 1-1 适用型号<br>Applicable models                      | R087 系列 (长寿命)<br>R087 series (Length life cycle)  |
| 1-2 使用环境温度<br>Usage environment temperature        | - 20℃ ~ + 70℃   |
| 1-3 保存环境温度<br>Storage environment temperature      | - 40℃ ~ + 70℃   |
| 1-4 测试条件<br>Test condition                         | 温度: 5~35℃, 湿度: 45~85%HR<br>Temperature: 5~35℃, Moisture: 45~85%HR   |
| 1-5 环保要求<br>Environmental requisition              | 本产品符合 RoHS 指令<br>This product is compliant with RoHS Directive  |
| 1-6 焊接条件<br>Conditions of soldering                | 1、手工焊接温度最高 350℃ ± 5℃, 3 秒;<br>Soldering iron Max ,350℃ ± 5℃ at 3 sec<br>2、自动焊接温度最高 265℃, 3 秒; 基板表面预热温度最高 100℃, 2 分内;<br>Auto soldering 265℃ max. at 3 Sec. Preheating temperature of board surface: 100℃ max. at within 2 minutes.<br>3、以上过程均保证在 1 到 2 次。<br>To guarantee the above process at 1 or 2 times.<br>4、不适用回流焊。<br>No apply the reflow soldering. |
| 1-7 原产地<br>Country of origin                       | 中国<br>China   |
| <b>2 构造</b><br><b>Construction</b>                 |   |
| 2-1 外观<br>Appearance                               | 各部件应完整, 无锈蚀、裂痕、电镀不良<br>Every part should finished, be not exist rust flaw crack and bad plating   |
| 2-2 寸法<br>Measurements                             | 依照图面规定<br>Under conditions prescribed by design drawing.  |
| <b>3 机械性能</b><br><b>Mechanical characteristics</b> |   |
| 3-1 全回转角度<br>Total rotational angle                | 300° ± 10°  |
| 3-2 回转力矩<br>Rotational torque                      | 10~150gf.cm (旋转速度: 60° /1 秒)<br>10~150gf.cm (Rotational velocity : 60° /1 Sec. )  |
| 3-3 回转止动强度<br>Rotational stopper strength          | 3.5Kgf.cm Min.  |
| 3-4 轴压引强度<br>Pull-Push Strength                    | 8Kgf.cm Min.  |
| 3-5 螺母锁拉强度<br>Nut tightening strength              | 10Kgf.cm Min.   |
| 3-6 轴摇晃度<br>Shaft wobble                           | 在单个轴芯顶端施加 250gf, 轴径向偏移量小于: 0.5*轴长 L 尺寸/30mm<br>On the tip of the single shaft exert 250gf, Shaft radial deviant be smaller than: 0.5*shaft long L size/30mm   |
| <b>4 电气性能</b><br><b>Electrical characteristics</b> |   |
| 4-1 全阻抗值<br>Total resistance                       | <u>100</u> KΩ ± 10%   |

|  |  |  |   |   |
|--|--|--|---|---|
| 4-2 残留阻抗值 (端子: 1-2, 2-3)<br>End resistance (Terminal :1-2, 2-3)                            | $R \leq 10K \Omega$ : $\leq 10 \Omega$ ; $10K \Omega < R \leq 250K \Omega$ : $\leq 20 \Omega$ ; $R > 250K \Omega$ : $\leq 0.1\%R$  |  |   |   |
| 4-3 阻抗变化特性<br>Resistance   | <input type="checkbox"/> A <input checked="" type="checkbox"/> B <input type="checkbox"/> C <input type="checkbox"/> _____   |  |   |   |
| 4-4 定格电力<br>Ratings power  | B 线性: 0.05W, 其它线性: 0.025W<br>B Taper : 0.05W, Other taper : 0.025W   |  |   |   |
| 4-5 最高使用电压<br>Maximum operating voltage  | B 线性: 10V DC 或 50V AC, 其它线性: 5V DC 或 25V AC<br>B Taper : 10V AC or 50V AC, Other taper : 5V DC or 25V AC   |  |   |   |
| 4-6 滑动杂音<br>Slider noise   | 100mV 以下<br>100mV Max.   |  |   |   |
| 4-7 绝缘抵抗<br>Insulation resistance  | 250V DC, 100M $\Omega$ 以上<br>100M $\Omega$ Min. at 250V DC   |  |   |   |
| 4-8 耐电压<br>Voltage proof   | 300V AC 1 分钟以上<br>1 Minute at 300V AC  |  |   |   |
| 4-9 回转寿命<br>Rotational life  | 无负荷状态以每小时 600 周旋转, 寿命 30,000 周, 寿命后允许阻值最大变化 $\pm 15\%$ 。<br>30,000 cycles under no load circumstances by 600 r/h of rotation, afterlife cycle permissible resistance change $\pm 15\%$ maximum .   |  |   |   |
| <b>5 开关性能</b><br><b>Switch characteristics</b>   |  |  |   |   |
| <input type="checkbox"/> 适用 <input checked="" type="checkbox"/> 不适用<br>Apply      No apply |  |  |   |   |
| 5-1 开关型式<br>Switch type  | 旋转式<br>Rotary type   |  |   |   |
| 5-2 开关回路<br>Switch circuit   | 单极单投<br>S. P. S. T   |  |   |   |
| 5-3 开关定格电力<br>Switch ratings power   | 12V DC 1A  |  |   |   |
| 5-4 开关接触电阻<br>Switch contact resistance  | $\leq 100 m\Omega$ , 寿命后 $\leq 500 m\Omega$<br>$\leq 100 m\Omega$ , $\leq 500 m\Omega$ of afterlife cycle.   |  |   |   |
| 5-5 开关工作角度<br>Switch working angle   | $50^\circ \pm 10^\circ$  |  |   |   |
| 5-6 开关工作力矩<br>Switch working torque  | 120~250gf.cm   |  |   |   |
| 5-7 开关寿命<br>Switch life  | 30,000 Cycles  |  |   |   |
| <b>6 防水性能</b><br><b>Waterproof standard characteristics</b>                                |  |  |   |   |
| 6-1 防水标准<br>Waterproof standard  | <input checked="" type="checkbox"/> 不适用<br>No Apply<br><br><input type="checkbox"/> 七级防水<br>编码器轴芯轴套置于水中 1 米深处, 其它部件密封后暴露在标准大气压中, 30 分钟后电位器内部未进水。<br>Grade -7 of Waterproof standard<br>Potentiometer's Shaft and Bush in water 1M deep, after other component sealed exposed to the standard atmosphere, after 30 minutes no water into the potentiometer's inner. |  |   |   |
| <b>东莞市长泰尔电子有限公司</b><br><b>DONG GUAN CHANG TAI ER ELECTRONIC CO., LTD.</b>                  |  | 制作<br>Designed By  | 审核<br>Checked By  | 核准<br>Approved By   |
|  |  |  |  |  |



Mounting Surface

CIRCUIT:NO



|    |      |    |    |
|----|------|----|----|
| ▽  |      |    |    |
| ▽  |      |    |    |
| ▽  |      |    |    |
| ▽  |      |    |    |
| ▽  |      |    |    |
| 标记 | 变更内容 | 改图 | 日期 |

|                |  |              |     |                   |     |            |    |
|----------------|--|--------------|-----|-------------------|-----|------------|----|
| 未注尺寸公差         |  | 东莞市长泰尔电子有限公司 |     |                   |     |            |    |
| L≤1.0时 ±0.1    |  | 视角           | 制图  | 谢敏                | 出图日 | 2019-06-14 |    |
| 1.0<L≤10时 ±0.3 |  | 比例           | 3:1 | 单位                | mm  |            |    |
| 10<L≤30时 ±0.5  |  | 版本           | 1.0 |                   | 设计  | 审核         | 批准 |
| 30<L≤100时 ±1.0 |  | 品名           |     | R087D0NO 组立图      |     | 工程部        |    |
|                |  | 图号           |     | R087D0NO-KQ15C6.0 |     | 2016.10.06 |    |
|                |  |              |     | 谢敏                |     | 喻钊         |    |
|                |  |              |     |                   |     | 2016.10.06 |    |
|                |  |              |     |                   |     | 彭先炎        |    |

# 东莞市长泰尔电子有限公司

## DONG GUAN CHANG TAIER ELECTRONIC CO., LTD

### 阻抗变化特性 Resistance tapers

