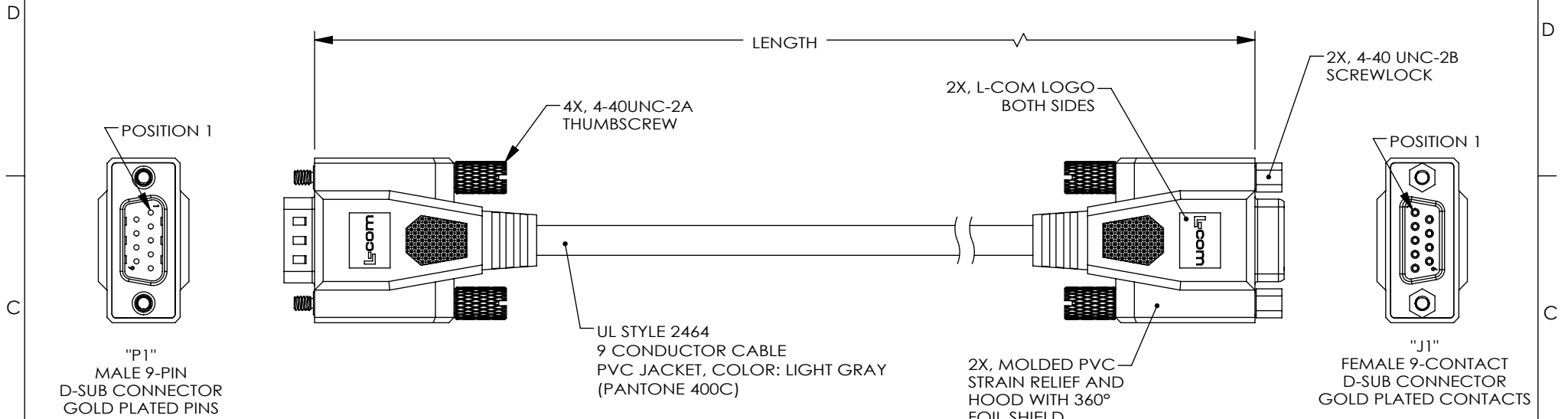


THE INFORMATION CONTAINED IN THIS DRAWING IS THE SOLE PROPERTY OF L-COM, INC. ANY REPRODUCTION IN PART OR WHOLE WITHOUT THE WRITTEN PERMISSION OF L-COM, INC. IS PROHIBITED.

REVISION					
ZONE	REV	DESCRIPTION	DATE	CHANGED BY	APPROVED
	A	INITIAL RELEASE	06/23/2023	SLI	WLI





WIRING MAP		
"P1"	WIRE COLOR	"J1"
1	BLACK	1
2	GRAY	2
3	RED	3
4	GREEN	4
5	BROWN	5
6	BLUE	6
7	ORANGE	7
8	YELLOW	8
9	PURPLE	9
SHELL	DRAIN WIRE	SHELL

PART NUMBER	LENGTH	
	METERS	FEET
CSMN9MF-1M	1.0	3.28
CSMN9MF-1.5M	1.5	4.92
CSMN9MF-2M	2.0	6.56
CSMN9MF-3M	3.0	9.84
CSMN9MF-5M	5.0	16.41
CSMN9MF-7M	7.0	22.97
CSMN9MF-10M	10.0	32.81

NOTES:

1. CABLE ASSEMBLY SHALL BE TESTED FOR CONTINUITY.
2. CABLE ASSEMBLY SHALL BE INDIVIDUALLY PACKAGED IN ACCORDANCE WITH L-COM PACKAGING SPEC. PS-0031.

UNLESS OTHERWISE SPECIFIED, DIMENSIONS ARE IN INCHES [mm] OVERALL CABLE LENGTH TOLERANCE: ≤12 [305] = +1 [25] / -0 >12 [305] ≤60 [1524] = +2 [51] / -0 >60 [1524] ≤120 [3048] = +4 [102] / -0 >120 [3048] ≤300 [7620] = +6 [152] / -0 >300 [7620] = +5% / -0 ALL OTHER DIMENSIONAL TOLERANCES: .X = ± .2 [5] FRACTIONS ± 1/32 .XX = ± .02 [.5] ANGLES ± 1° .XXX = ± .005 [.13]	APPROVALS	DATE	 50 High Street, West Mill, North Andover, MA 01845 USA. Phone: 1.800.341.5266 1.978.682.6936	
	DRAWN BY	SLI		06/21/2023
	CHECKED BY	WLI		06/21/2023
	APPROVED BY	WLI		06/21/2023
THIRD-ANGLE PROJECTION	CONFIGURATION DETAILS OF UNDIMENSIONED FEATURES MAY VARY		CATEGORY D-SUBMINIATURE	
	COLOR VARIATIONS MAY OCCUR		PRODUCT DESCRIPTION CABLE, DB9M/F MOLDED	
CSMN-FS01	SIZE	CAGE CODE	ITEM NO.	
	A	43321	CSMN9MF-xxM	
	SCALE: NONE	CAD FILE: CSMN9MF-xxM.SLDDRW	REV. A	
			SHEET 1 OF 1	