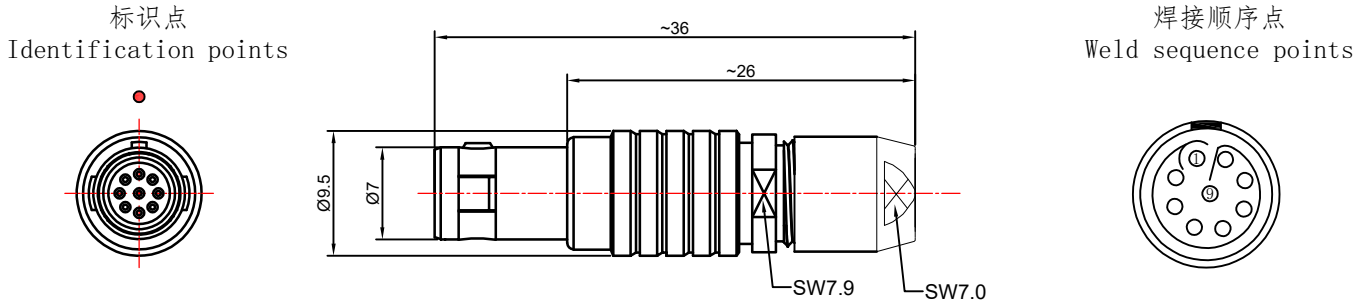


1. 产品尺寸图Product Dimension Drawing



2. 产品电器参数Product electrical parameters

防护等级 (Ingress protection) IP50 (头座插合时 When the headstand is plugged in)

插拔测试 (Plugging and unplugging test) <5000次

产品耐温 (The product is temperature resistant) -55° C / +250° C

盐雾腐蚀 (Salt Spray Corrosion) >72 hr

测试电压 (kV rms) 针芯-针芯 0.6

测试电压 (kV rms) 针芯-外壳 0.5

额定电流 Current rating 2A

湿度 (最大值) Humidity (max) <=95 (at 60 deg C/140F)

屏蔽 (分钟) Shielding (min) 75 dB(10MHz)

屏蔽 (分钟) Shielding (min) 100 g (6 ms)

振动 Vibration 15 g (10Hz-1000Hz)

3. 环境及表面处理产品特性Environmental and surface treatment product characteristics

外壳材料 Housing material 金属件铜合金镀镍镀铬
(Metal parts: copper alloy nickel plated and chrome plated)

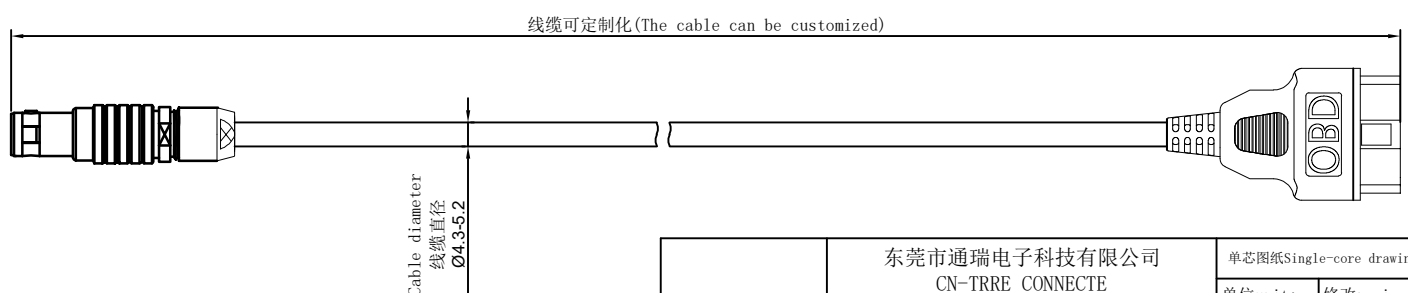
导体材料 Conductor material 锡青铜镀金 (Pewter bronze gilding)

绝缘体材料 Insulator material PPS (可选PEEK) PPS (optional PEEK)

4. 线缆参数Cable parameters

固定类型 Fixed type 电缆夹头 (Cable chucks)

护套电缆外径 (mm) 4.3-5.2mm
Sheath cable outer diameter (mm)



1: 连接器组装生产所有公差通常为0.1mm, 2: 插座直接拧入螺纹孔中, 螺纹 +0.05mm
1: All tolerances are usually 0.1mm for connector assembly production, 2: The socket is screwed directly into the threaded hole, the thread is +0.05mm

东莞市通瑞电子科技有限公司
CN-TRRE CONNECTE
Dongguan Tongrui Electronic Technology Co., Ltd
www.cnfre.com

单芯图纸 Single-core drawings

单位 unit: mm 修改 revise: A

视图 view:

0B系列直式插头 0B Series Straight Plug

型号 Model
DB ECG 0B 400 CSAN2