

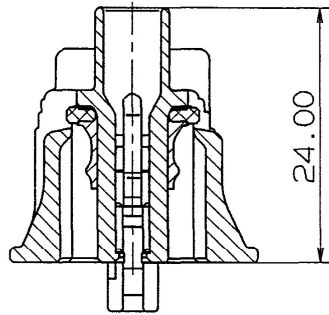
1

2

3

TABLE 1

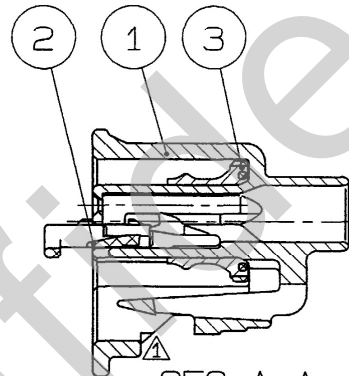
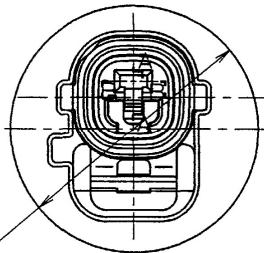
YAZAKI SUB ASSEMBLY PART NO.	NO.	YAZAKI PART NO.	MATERIAL	COLOR	△QTY.
7283-1114 ETC.	①	SEE TABLE 2	PBT	SEE TABLE 2	1
	②	7157-4355	PBT	NATURAL	1
	③	7137-2602-80	SILICONE RUBBER	DARK BROWN	1



SEC. B-B

TABLE 2

YAZAKI SUB ASSEMBLY PART NO.	YAZAKI PART NO.	COLOR
7283-1114	7183-1114	NATURAL
7283-1114-10	7183-1114-10	DARK GRAY
7283-1114-30	7183-1114-30	BLACK
7283-1114-40	7183-1114-40	LIGHT GRAY
7283-1114-50	7183-1114-50	ORANGE
7283-1114-60	7183-1114-60	GREEN
7283-1114-80	7183-1114-80	BROWN
7283-1114-90	7183-1114-90	BLUE



SEC. A-A

注記

1.適用端子番番 : 7116-4025 ETC.

NOTE

1.APPLICABLE TERMINAL NO. : 7116-4025 ETC.

ISSUE MARK

					CUSTOMER					MATL. SPEC.					TREAT. & FIN.									
					CUSTOMER PART NO.					CUSTOMER DWG NO.					SEE TABLE 1									
△	97.04.22	CHANGED FORM			C97-L716	H.K						NAME 090II 1P SEALED CONNECTOR												
	91.10.02	NEW			C91-L278	Y.G	OFFICE					TRIAL PART NO.												
LET	DATE	REVISION RECORD			NO.	CHKD	VENDOR					HOUSING FEMALE SUB ASSEMBLY												
GENERAL TOLERANCE										VENDOR NO.														
	10MAX	50MAX	100MAX	250MAX	2500VF	ANGLE	ECCENT	DWG TYPE	DWG SOURCE	DWG DATE	UNIT	SCL	ANGLE	PART NO.	7283-1114 ETC.									
A	±0.15	±0.2	±0.3	±0.5	±0.75	±30'	0.1	R	NEW	91.10.02	mm	2/1	3	DWG NO.	7283-1114: R									
B	±0.2	±0.3	±0.55	±0.95	±1.4	±30'	0.1	APPROVED	CHECKED	CHECKED	DESIGN	DRAWN	SET DWG NO.											
©	±0.3	±0.5	±0.8	±1.4	±2	±30'	0.15	手書	福業	山田	TAKEUCHI	YAMAMOTO	YAZAKI CORPORATION											
SPECIFIED						MASS	g	97.05.07	97.05.06	97.05.06	90.10.16	97.04.22												

1

2

3