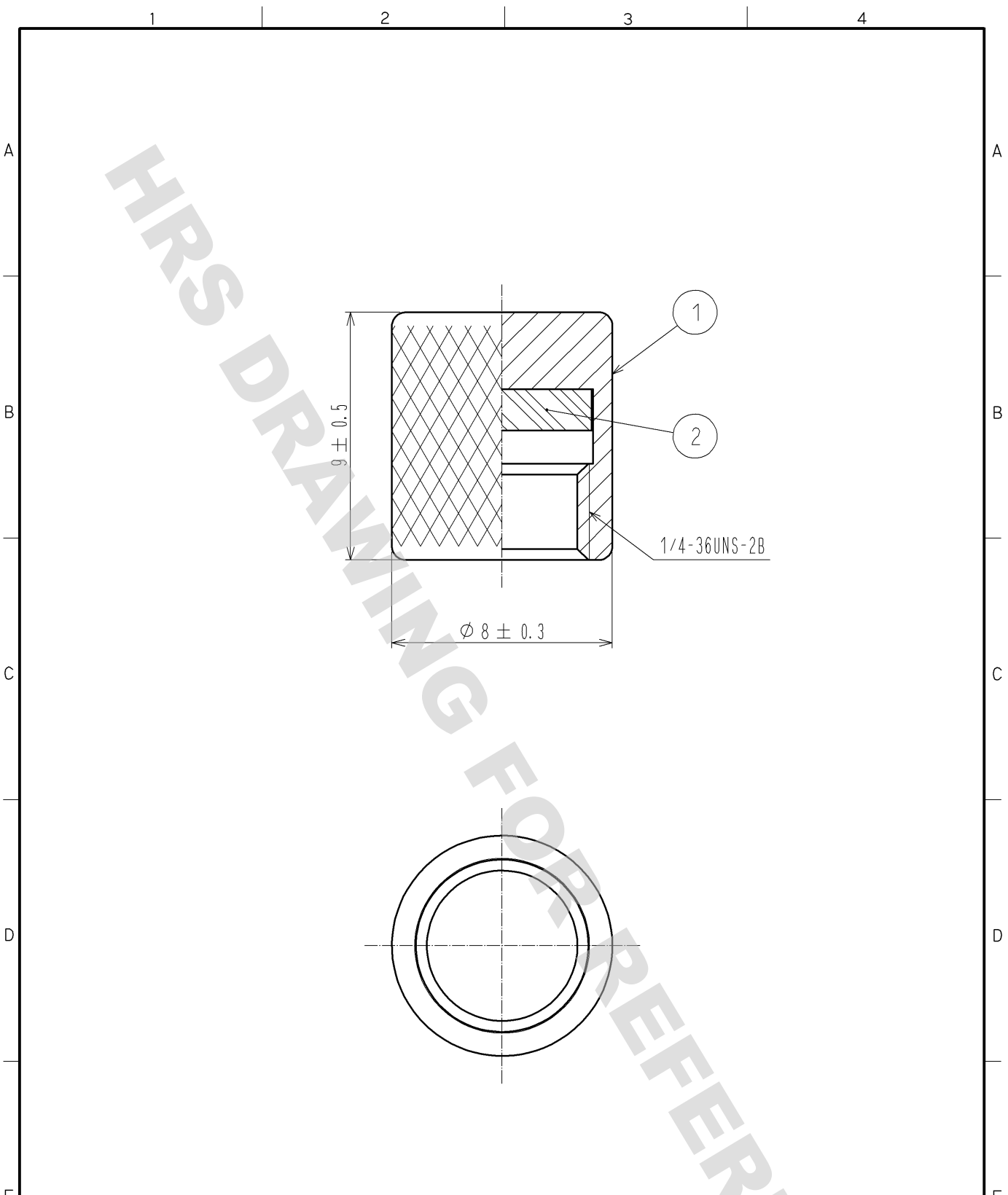


DRAWING FOR REFERENCE: This is subject to change without notice
08/11/2012



RoHS COMPLIANT

1	BRASS	NICKEL PLATING	2	SILICONE RUBBER			
NO.	MATERIAL	FINISH , REMARKS	NO.	MATERIAL	FINISH , REMARKS		
UNITS mm		SCALE 5 : 1	COUNT 	DESCRIPTION OF REVISIONS	DESIGNED	CHECKED	DATE
HRS HIROSE ELECTRIC CO., LTD.	APPROVED : MH. YAMANE	11. 01. 19	DRAWING NO. EDC4-026936-40				
	CHECKED : TS. NOBE	11. 01. 19	PART NO. HRM-514S-1(40)				
	DESIGNED : NK. OOSAWA	11. 01. 18	CODE NO. CL323-0349-1-40				
	DRAWN : NK. OOSAWA	11. 01. 18	1/1				