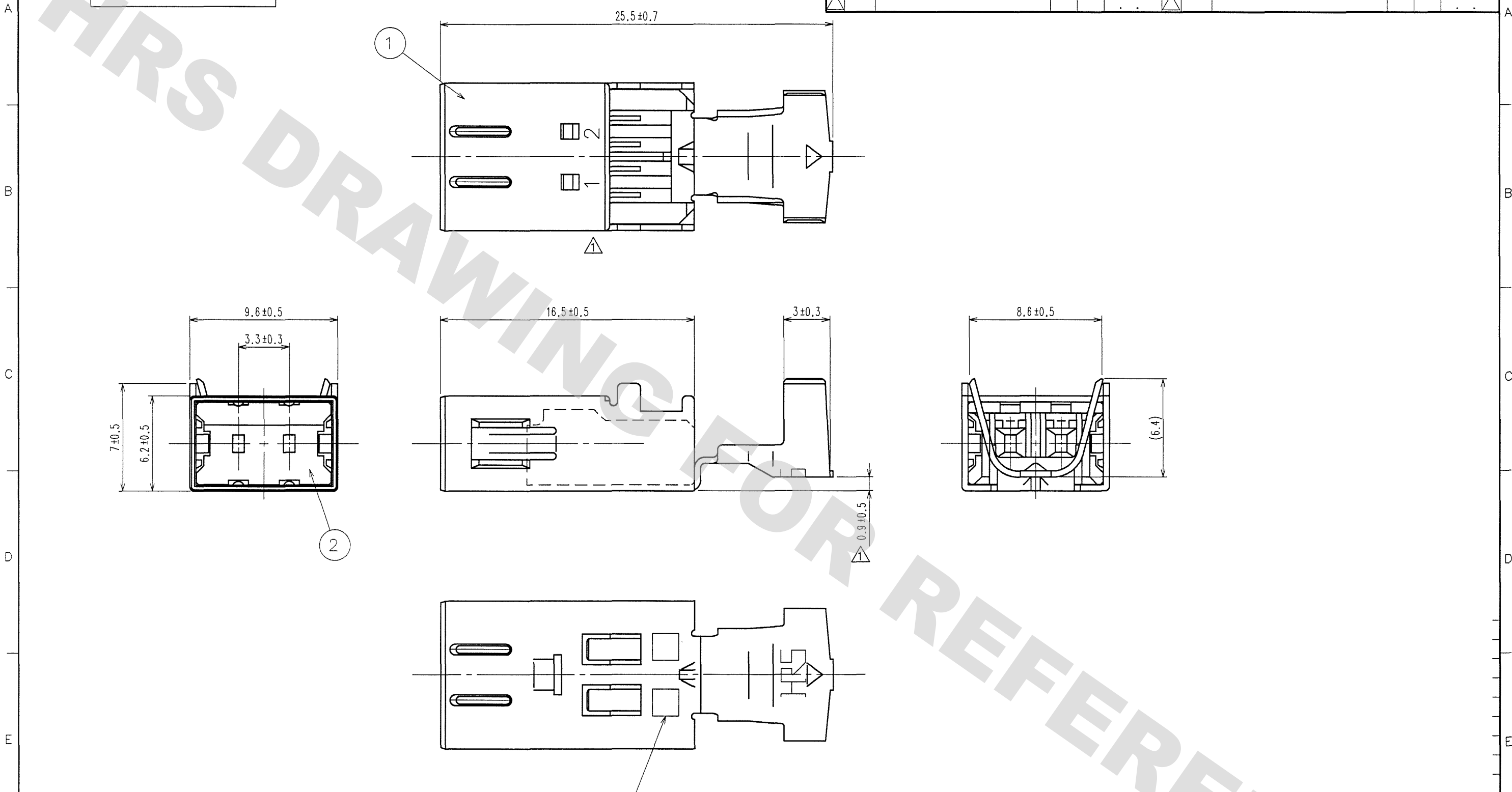


1 2 3 4 5 6 7 8

ELV, RoHS COMPLIANT

| COUNT | DESCRIPTION OF REVISIONS | BY | CHKD | DATE | COUNT | DESCRIPTION OF REVISIONS | BY | CHKD | DATE |
|-------|--------------------------|-----|------|---------|-------|--------------------------|----|------|------|
| 2 | DIS-T-000727 | T.I | K.S | 08.3.11 | | | | | |
| | | | | | | | | | |
| | | | | | | | | | |



DRAWING FOR REFERENCE: This is subject to change without notice
08/11/2012

| |
|-----|
| TO |
| AMC |
| |
| |

| | | | | | |
|----------------|----------|-----------------|------------------|-----------|-----------------|
| 1 | BRASS | TIN PLATED | 2 | PA | DARK GRAY |
| NO. | MATERIAL | FINISH, REMARKS | NO. | MATERIAL | FINISH, REMARKS |
| CODE NO. (OLD) | | | DRAWN | DESIGNED | CHECKED |
| | | | S.KURIYA | T.IKEDA | K.SATO |
| | | | '06 12.22 | '02 06.20 | '06 12.27 |
| | | | | K.SATO | |
| | | | | '06 12.27 | |
| | | | | | |
| DRAWING NO. | | | PART NO. | | |
| EDC3-82073-01 | | | GT11-2P-5.2C(70) | | |
| SCALE | | | CODE NO. | | |
| 4 : 1 | | | CL761-0001-0-70 | | |
| UNITS | | | 1/1 | | |
| mm | | | | | |

1 2 3 4 5 6 7 8