

### Features

Frequency range : 1MHz to 133MHz  
 SMD seam sealing ceramic package  
 Supply voltage : 1.8V ~ 3.3V  
 CMOS output  
 Tri-state function available  
 External dimensions (mm)  
 L : 3.2 x W : 2.5 x H : 1.0  
 RoHS compliant & Pb free

### Applications

Networking, Server, Storage  
 Wireless communications  
 Fibre channel, Ethernet, SATA, SAS,  
 PCI-E, USB, WLAN, xDSL, xPON  
 PC mainboard, Notebook, HDD, SSD,  
 Graphics card, Computer peripherals  
 Audio, Video, Gaming, Printer, DSC,  
 IP CAM, Consumer products

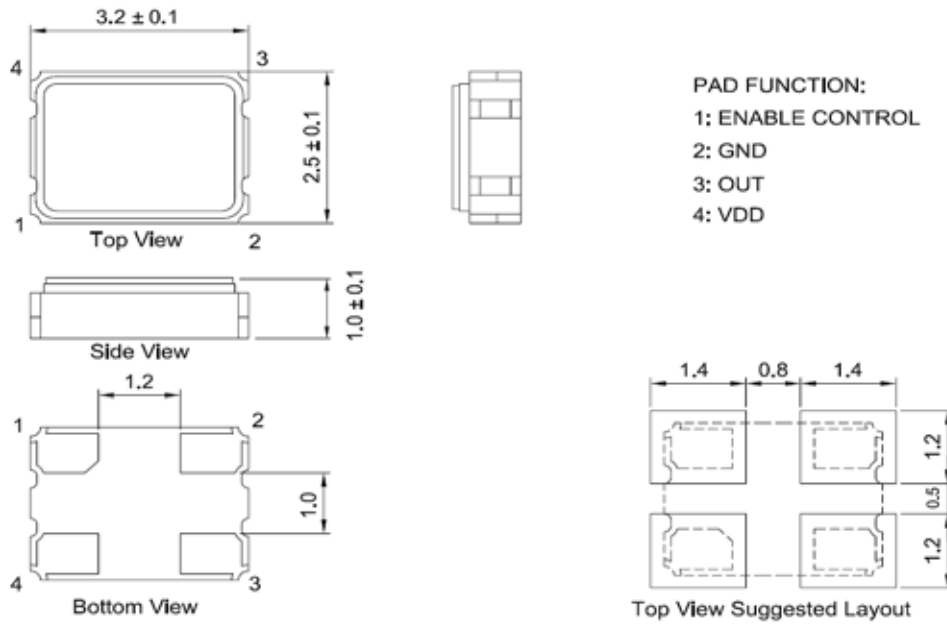
### Electrical Characteristics

Item	7X	Conditions
Frequency Range ( $F_0$ )	1MHz ~ 133MHz	
Frequency Stability ( $F_{stab}$ )	$\pm 50$ , $\pm 25$ ppm	-10°C ~ +70°C; Note [1]
	$\pm 50$ , $\pm 25$ , $\pm 20$ ppm	-40°C ~ +85°C; Note [1]
Operating Temperature Range ( $T_{OTR}$ )	-10°C ~ +70°C	
	-40°C ~ +85°C	
Supply Voltage ( $V_{DD}$ )	1.8V, 2.5V, 3.3V	$V_{DD} \pm 10\%$
Current Consumption ( $I_{DD}$ )	10 mA Max.	1MHz ~ 75MHz
	15 mA Max.	75MHz ~ 133MHz
Output Type	CMOS	
Output Load ( $C_L$ )	15 pF	
Output Voltage High ( $V_{OH}$ )	90% $V_{DD}$ Min.	
Output Voltage Low ( $V_{OL}$ )	10% $V_{DD}$ Max.	
Rise & Fall Time ( $T_r / T_f$ )	8 ns Max.	10% ~ 90% of $V_{DD}$
Duty Cycle	45% ~ 55%	
Start-up Time	5 ms Max.	
Enable Voltage High, Logic "1"	70% $V_{DD}$ Min.	Input to Pin1
Enable Voltage Low, Logic "0"	30% $V_{DD}$ Max.	Note [2]
Phase Jitter, RMS	1 ps Max.	Note [3]
Aging ( $F_{aging}$ )	$\pm 3$ ppm Max.	at 25°C $\pm 3$ °C, first year
Storage Temperature Range ( $T_{STR}$ )	-55°C ~ +125°C	

#### Notes:

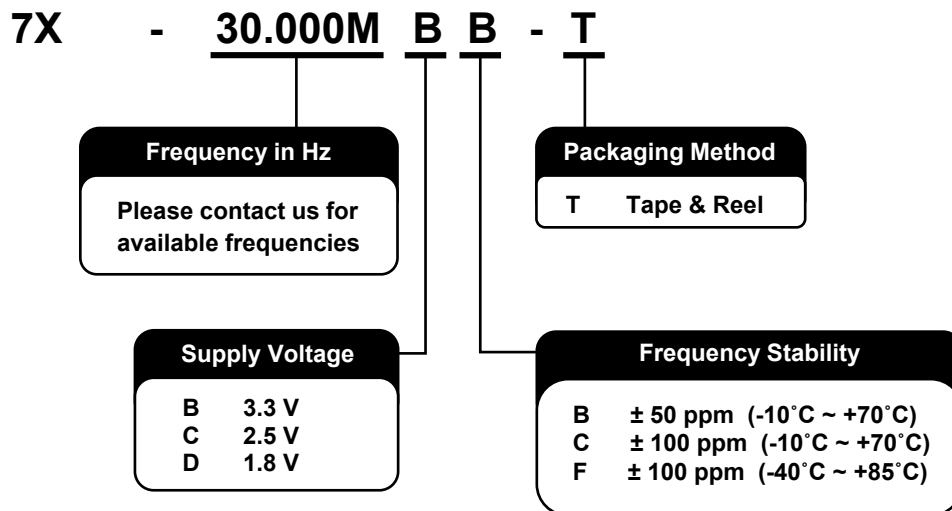
- [1] Inclusive of frequency tolerance at 25°C, 1st year aging at 25°C, and variations over operating temperature, supply voltage, and load.  
 [2] Output will be enabled if Pin1 is Logic "1" or open; Output will be disabled if Pin1 is Logic "0".  
 [3] Freq. 10MHz~40MHz, integrated 12kHz~5MHz; Freq. >40MHz, integrated 12kHz~20MHz.

### Dimensions

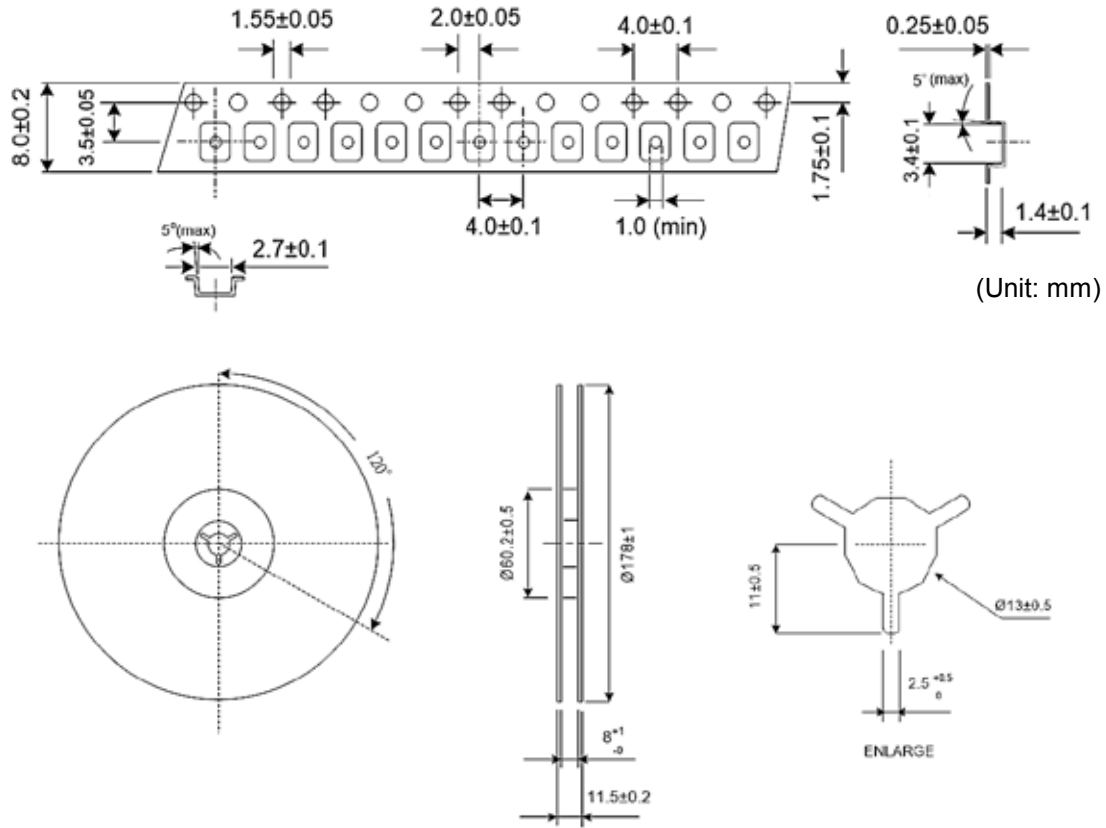


(Unit: mm)

### Ordering Information



### Packing



### Reflow Profile

Solder melting point :  $220^\circ\text{C} \pm 10^\circ\text{C}$ , 60 sec. Min.  
 Peak temperature :  $260^\circ\text{C} \pm 10^\circ\text{C}$ , 10 sec. Min.

