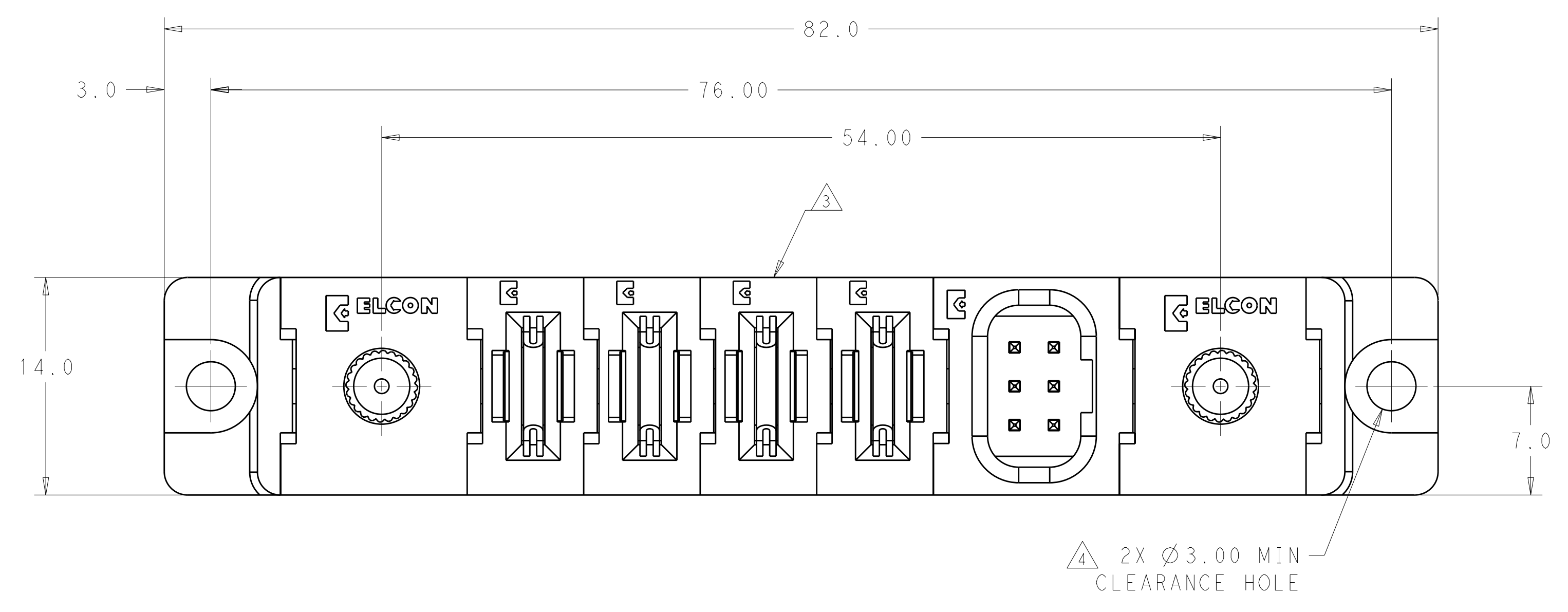


LOC	DIST	REVISIONS			
P	LTR	DESCRIPTION	DATE	DWN	APVD
GP	00	A	RELEASED	14 JUL 2010	RG MS



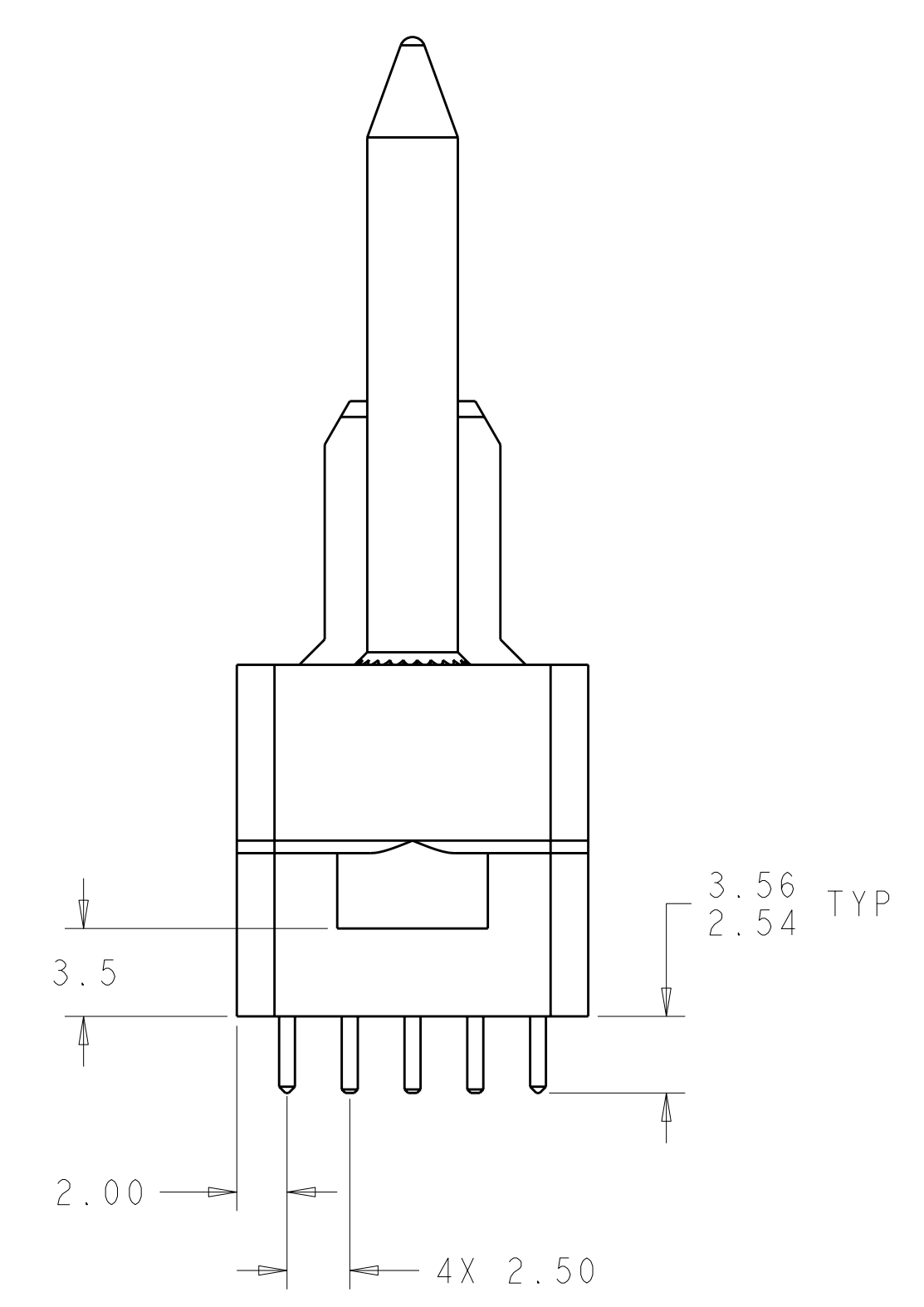
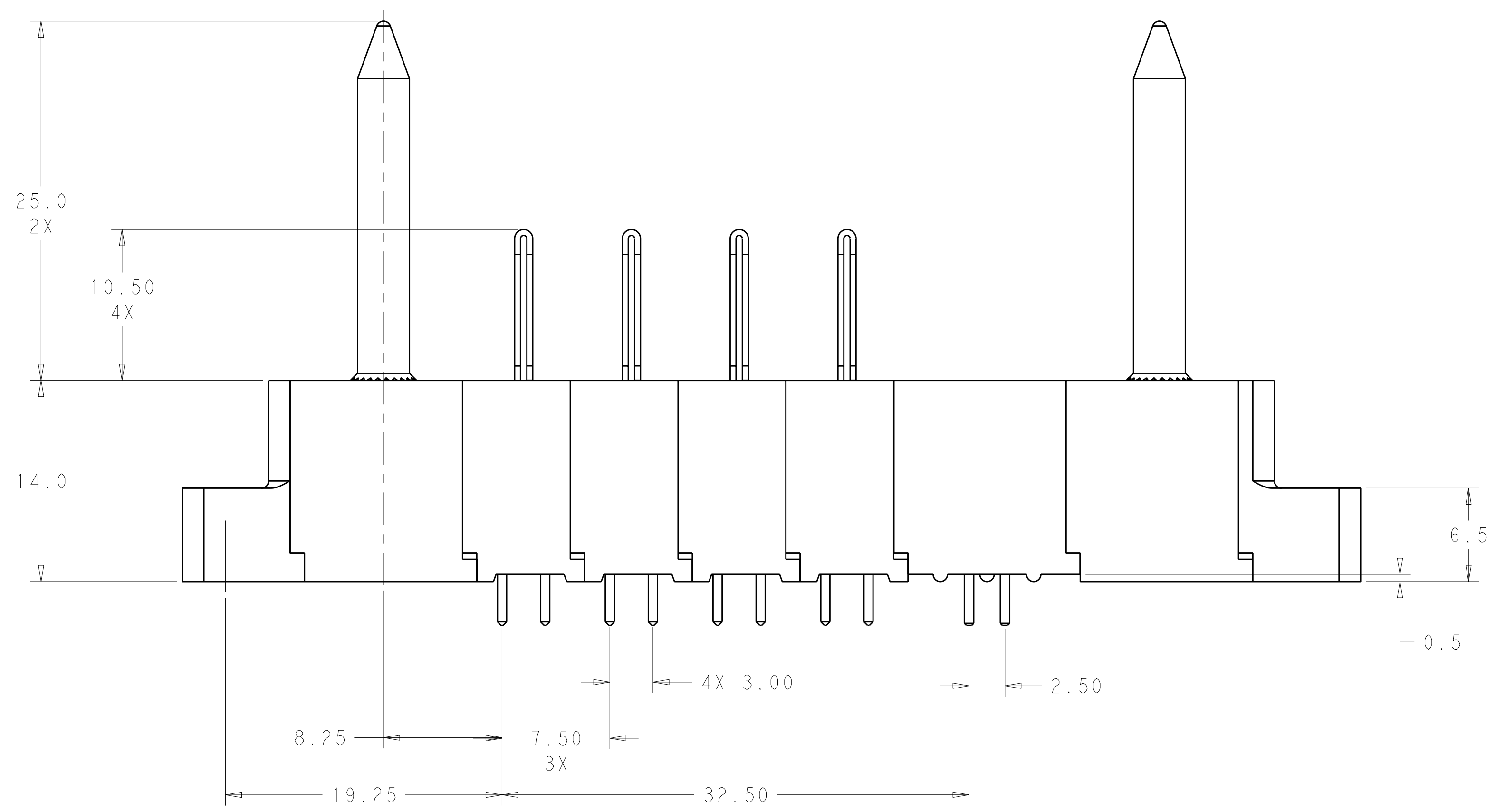
△ MATERIAL:
 INSULATORS - THERMOPLASTIC, GLASS REINFORCED,
 COLOR: BLACK, UL94V-0 FLAMMABILITY RATED.
 POWER CONTACTS - PHOSPHOR BRONZE ALLOY,
 COPPER ALLOY
 SIGNAL PINS - COPPER ALLOY
 CROWN BAND-BERYLLIUM COPPER ALLOY
 GUIDE PIN-BRASS COPPER ALLOY

△ FINISH:
 CONTACTS - GOLD PLATE 0.76µm MIN. THK., OVER NICKEL
 1.27µm MIN. THK
 SOLDER TAILS - TIN 3.05µm MIN. THK. OVER NICKEL
 1.27µm MIN THK.
 GUIDE PIN - NICKEL 1.02µm MIN THK.

△ ITEMS PROVIDED TO THIS SPECIFICATION TO BE PERMANENTLY IDENTIFIED PER THE FOLLOWING IDENTIFIER LABEL

TYCO ELECTRONICS P/N DATE CODE (e.g. 0106) YEAR WEEK
 XXXXXX-X XXXX

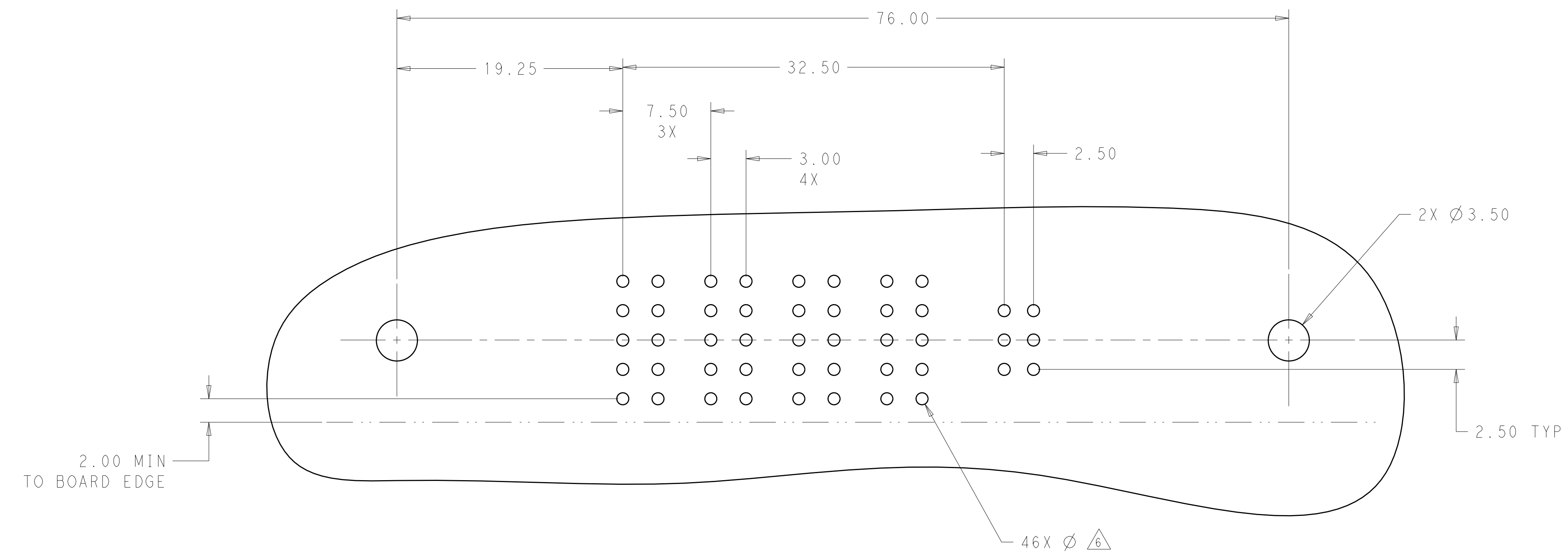
△ MOUNTING FLANGE ACCEPTS M3 OR NO.4 SCREWS. (USER SUPPLIED)



6646427-1
 PART NUMBER

DIMENSIONS: mm TOLERANCES UNLESS OTHERWISE SPECIFIED: 0 PLC ± 1 PLC ±0.5 2 PLC ±0.25 3 PLC ± 4 PLC ± ANGLES ± FINISH ±		DWN: R. GRZYBOWSKI 14 JUL 2010 CHK: M. SYKES 14 JUL 2010 APVD: M. PERCHERKE 14 JUL 2010 PRODUCT SPEC APPLICATION SPEC WEIGHT CUSTOMER DRAWING	Tyco Electronics Corporation Harrisburg, PA 17105-3608 NAME: PIN CONNECTOR ASSEMBLY STRAIGHT, SOLDER TAIL FLATPAQ SIZE: A100779 CAGE CODE: C-6646427 SCALE: 4:1 SHEET: 1 OF 3 REV: A
--	--	---	---

LOC	DIST	REV	DATE	BY	APPD
GP	00				

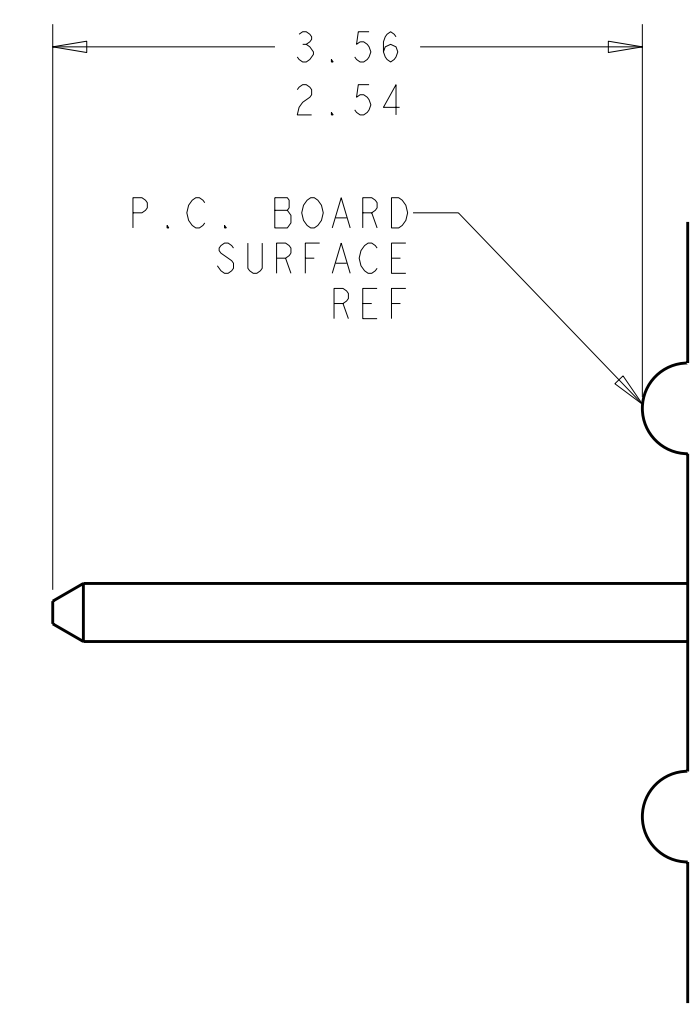


PRINTED CIRCUIT LAYOUT
 COMPONENT SIDE

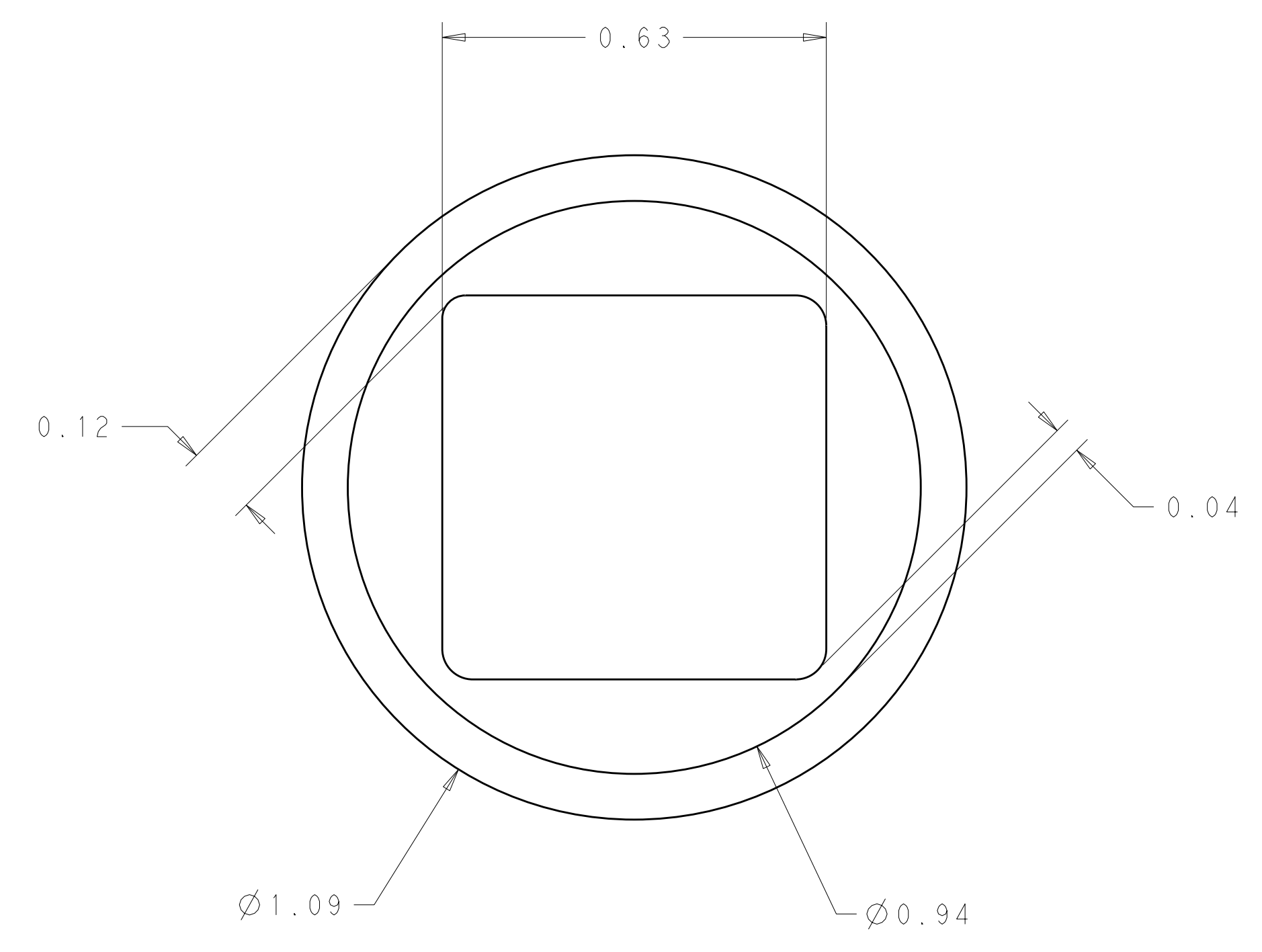
CONNECTOR	CATALOG MODULE #	QTY	SIZE NO.	CONTACT QTY	MATING PIN	MAX. CURRENT (PER CONTACT)	CONTACT SPACING	VOLTAGE RATING
SOCKET	FP101	4	8	4	1.25 X 7.00	35 amps	7.50	250 VOLTS
	FP312	1	22	6	.64 SQ.	3 amps	2.50	125 VOLTS
	FP500	1	LEFT MOUNTING FLANGE					
	FP501	1	RIGHT MOUNTING FLANGE					
	FP503	2	STRAIGHT GUIDE PIN, PASSIVE					

DIMENSIONS: mm TOLERANCES UNLESS OTHERWISE SPECIFIED: 0 PLC ± 1 PLC ±0.5 2 PLC ±0.25 3 PLC ± 4 PLC ± ANGLES ± FINISH ±		DWN R. GRZYBOWSKI 14JUL2010 CHK M. SYKES 14JUL2010 APVD M. PERCHERKE 14JUL2010	Tyco Electronics Corporation Harrisburg, PA 17105-3608
MATERIAL: - FINISH: -		PRODUCT SPEC: - APPLICATION SPEC: - WEIGHT: - CUSTOMER DRAWING	NAME: PIN CONNECTOR ASSEMBLY STRAIGHT, SOLDER TAIL FLATPAQ SIZE: A100779 C=6646427 RESTRICTED TO: -
SCALE: 4:1		SHEET: 2 OF 3	REV: A

LOC	DIST	REVISIONS			
P	LTR	DESCRIPTION	DATE	DWN	APVD
-	-	SEE SHEET 1	-	-	-



5. SOLDER PIN DETAIL
 SCALE 10 : 1



△ SOLDER TERMINATION AREA
 SCALE 40:1
 RECOMMENDED PRINTED CIRCUIT SOLDER HOLE
 FINISHED HOLE: $\varnothing 1.02 \pm .08$
 DRILLED HOLE: $\varnothing 1.15 \pm .013$
 COPPER PLATE: .025 MIN
 TIN PLATE: .008 MIN. (PER SURFACE)

<small>THE DRAWING IS UNPUBLISHED. RELEASED FOR PUBLICATION 20 © COPYRIGHT 20 BY TYCO ELECTRONICS CORPORATION, ALL INTERNATIONAL RIGHTS RESERVED.</small>		DWN R. GRZYBOWSKI 14 JUL 2010 CHK M. SYKES 14 JUL 2010 APVD M. PERCHERKE 14 JUL 2010	Tyco Electronics Tyco Electronics Corporation Harrisburg, PA 17105-3608
DIMENSIONS: mm 		TOLERANCES UNLESS OTHERWISE SPECIFIED: 0 PLC ± 1 PLC ±0.5 2 PLC ±0.25 3 PLC ± 4 PLC ± 5 PLC ± ANGLES ± FINISH ±	NAME PIN CONNECTOR ASSEMBLY STRAIGHT, SOLDER TAIL FLATPAQ
MATERIAL		WEIGHT	RESTRICTED TO
		CUSTOMER DRAWING	SCALE 4:1 SHEET 3 OF 3 REV A