



Terminals & Splices > Splices



Splice Product Type: **Sealing Sleeve**

Terminal & Splice Type: **Splice**

Wire Size: **2.5 – .25 mm²**

Sealable: **Yes**

Features

Product Type Features

Splice Product Type	Sealing Sleeve
Sealable	Yes
Splice Type	Stub Splice
Splice Wire/Cable Type	Insulated Wire
Insulated	Yes

Contact Features

Terminal & Splice Type	Splice
------------------------	--------

Dimensions

Wire Size	2.5 – .25 mm ²
Splice Overall Length	15 mm [.6 in]

Usage Conditions

Insulation Requirement	Fully Insulated
------------------------	-----------------

Product Compliance

[For compliance documentation, visit the product page on TE.com>](#)

EU RoHS Directive 2011/65/EU	Compliant
EU ELV Directive 2000/53/EC	Compliant
China RoHS 2 Directive MIIT Order No 32, 2016	No Restricted Materials Above Threshold
EU REACH Regulation (EC) No. 1907/2006	Current ECHA Candidate List: JAN 2021 (211)



Candidate List Declared Against: JAN 2021
(211)

Does not contain REACH SVHC

Halogen Content	BFR/CFR/PVC Free, but Br/Cl >900 ppm in other sources.
Solder Process Capability	Not applicable for solder process capability

Product Compliance Disclaimer

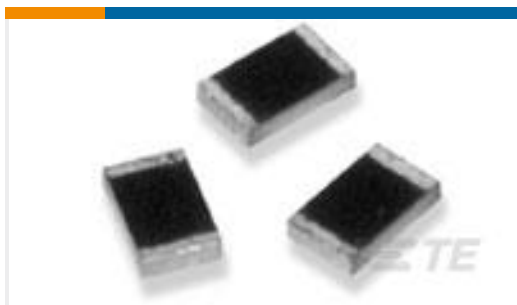
This information is provided based on reasonable inquiry of our suppliers and represents our current actual knowledge based on the information they provided. This information is subject to change. The part numbers that TE has identified as EU RoHS compliant have a maximum concentration of 0.1% by weight in homogenous materials for lead, hexavalent chromium, mercury, PBB, PBDE, DBP, BBP, DEHP, DIBP, and 0.01% for cadmium, or qualify for an exemption to these limits as defined in the Annexes of Directive 2011/65/EU (RoHS2). Finished electrical and electronic equipment products will be CE marked as required by Directive 2011/65/EU. Components may not be CE marked. Additionally, the part numbers that TE has identified as EU ELV compliant have a maximum concentration of 0.1% by weight in homogenous materials for lead, hexavalent chromium, and mercury, and 0.01% for cadmium, or qualify for an exemption to these limits as defined in the Annexes of Directive 2000/53/EC (ELV). Regarding the REACH Regulation, the information TE provides on SVHC in articles for this part number is based on the latest European Chemicals Agency (ECHA) 'Guidance on requirements for substances in articles' posted at this URL: <https://echa.europa.eu/guidance-documents/guidance-on-reach>

Compatible Parts



TE Part # CJ2087-000
[HL2010E-KIT-120V](#)

Customers Also Bought



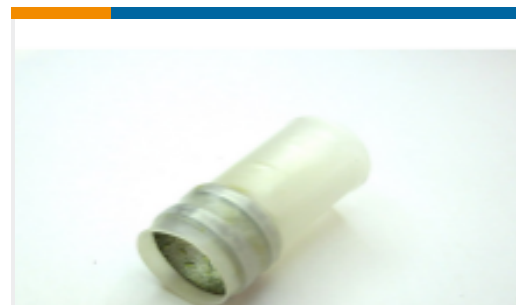
TE Part #1879262-2
[RP 2B 13K 0.1% 15PPM 1K RL](#)



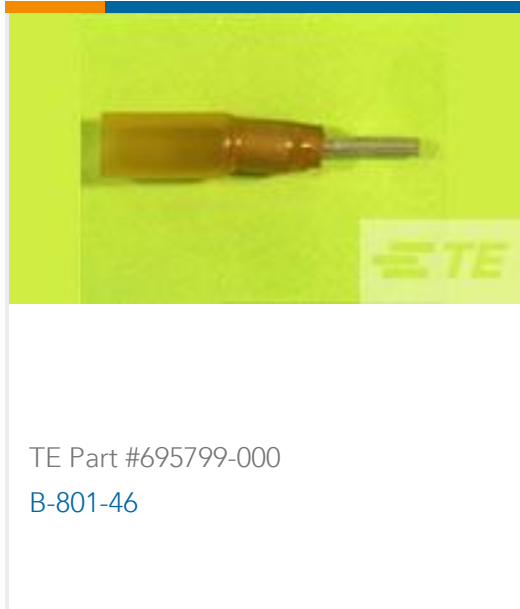
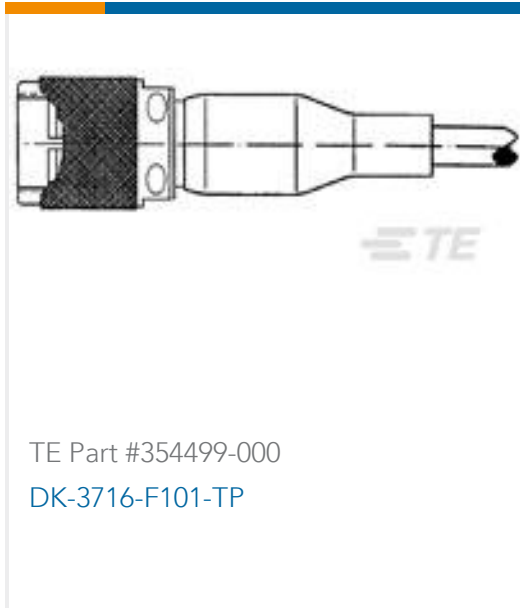
TE Part #341621-000
[222W213-25/86-0](#)



TE Part #653817-000
[222W223-25/86-0](#)



TE Part #443413-000
[B-070-12-09](#)



Documents

Product Drawings

[B-006-04](#)

English

Datasheets & Catalog Pages

[1654025_Sec3_TC_Caps](#)

English

Raychem Electrical Interconnect Products

English