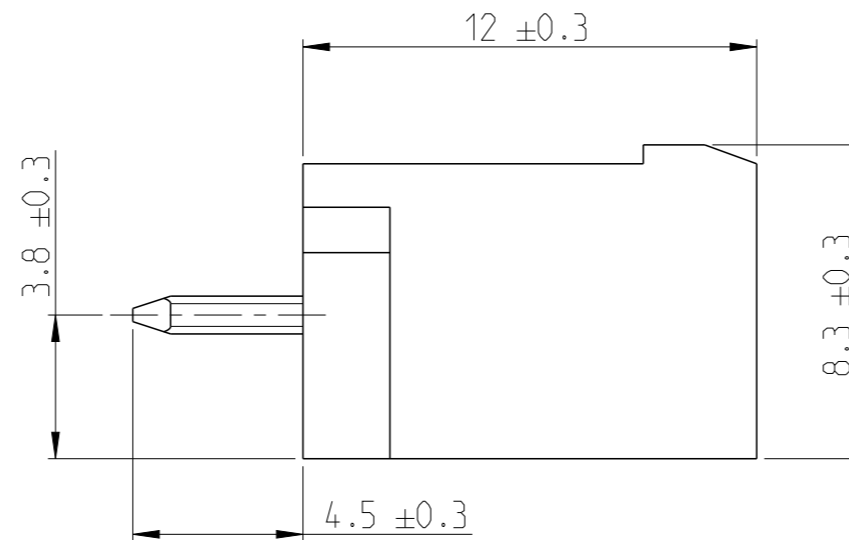
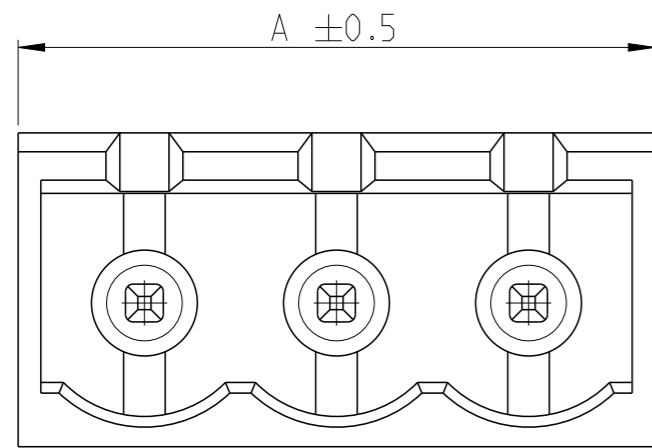
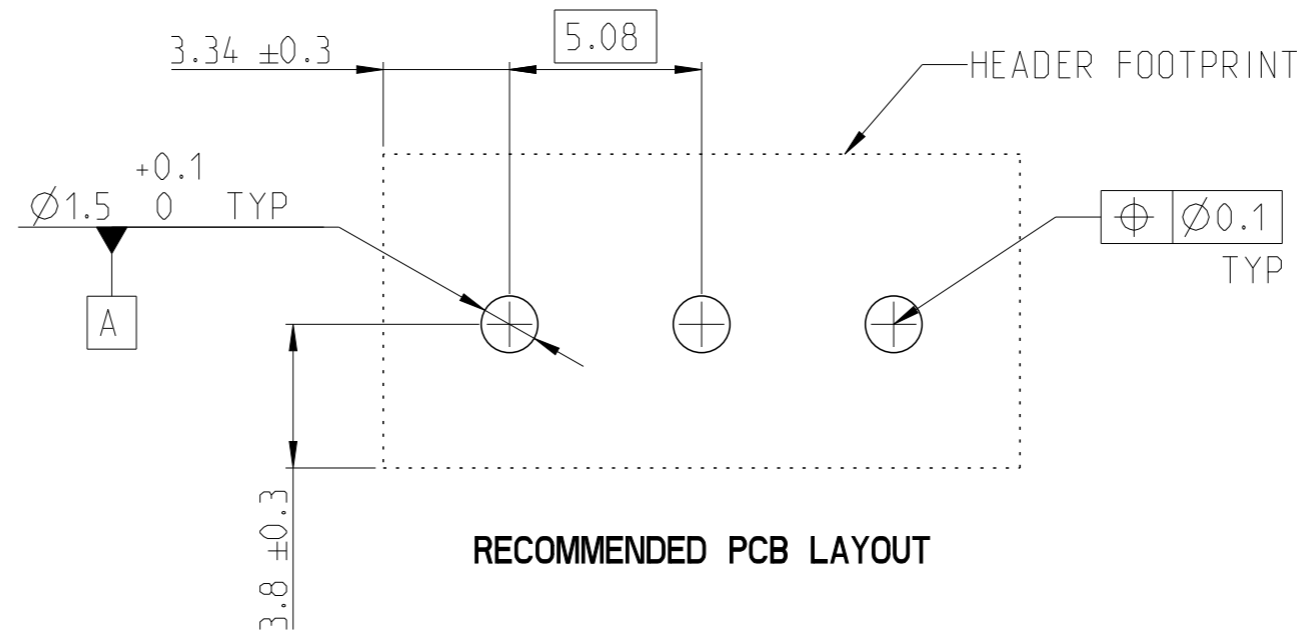
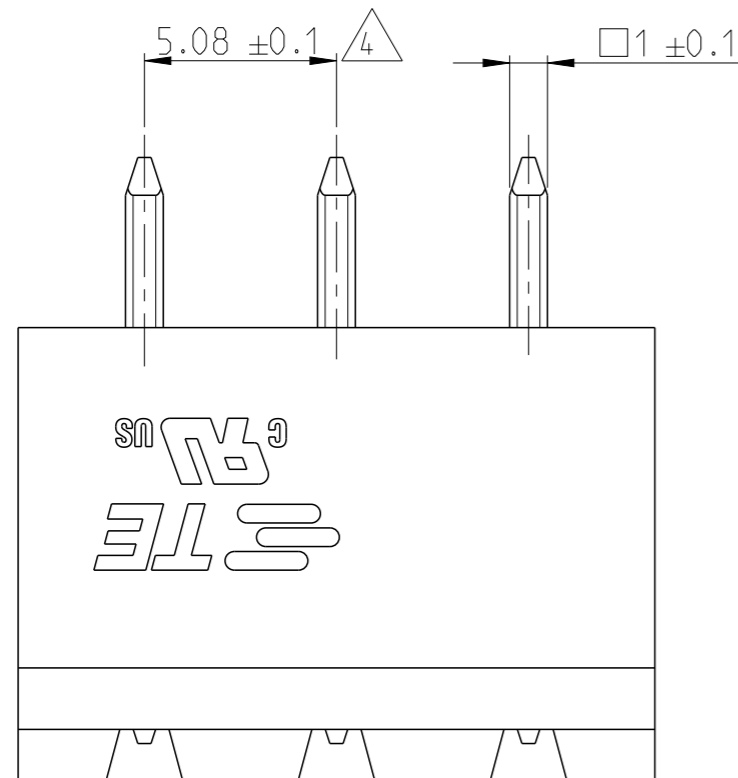


P	LTR	DESCRIPTION	DATE	DWN	APVD
	A	PRODUCTION RELEASE	19JAN2022	SCB	PS

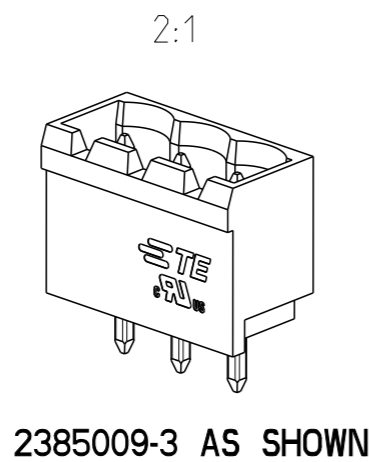


NOTES:

- 1 MATERIALS & FINISH
 HOUSING : PA66, UL94 V0, COLOR - LIGHT GREEN
 CONTACT : BRASS, TIN PLATED
- 2. ELECTRICAL
 RATED VOLTAGE : 300V
 RATED CURRENT : 16A (UG B)
 : 10A (UG D)
 INSULATION RESISTANCE : >2000 M Ohm (500V DC)
- 3. OPERATING TEMPERATURE RANGE : -40°C TO +105°C
- 4 TOLERANCE NOT CUMULATIVE



82.88	16	1-2385009-6
77.80	15	1-2385009-5
72.72	14	1-2385009-4
67.64	13	1-2385009-3
62.56	12	1-2385009-2
57.48	11	1-2385009-1
52.40	10	1-2385009-0
47.32	9	2385009-9
42.24	8	2385009-8
37.16	7	2385009-7
32.08	6	2385009-6
27.00	5	2385009-5
21.92	4	2385009-4
16.84	3	2385009-3
11.76	2	2385009-2
DIM A	NO. OF POS	TE PN



THIS DRAWING IS A CONTROLLED DOCUMENT.		DWN 13JAN2022 SHRICHARANA B	TE Connectivity NAME TERMINAL BLOCK, 180 DEG HEADER, PITCH 5.08mm, TAIL LENGTH 4.5mm	
DIMENSIONS: mm		CHK 13JAN2022 SUBHASREE S		
TOLERANCES UNLESS OTHERWISE SPECIFIED:		APVD 13JAN2022 PRASHANTH S	SIZE CAGE CODE DRAWING NO RESTRICTED TO	
0 PLC ± 1 PLC ± 2 PLC ± 3 PLC ± 4 PLC ± ANGLES ±		PRODUCT SPEC 108-32299	A3 00779 C-2385009	
MATERIAL 1		FINISH 1	SCALE 5:1 SHEET 1 OF 1 REV A	
CUSTOMER DRAWING				