

THIS DRAWING IS UNPUBLISHED.

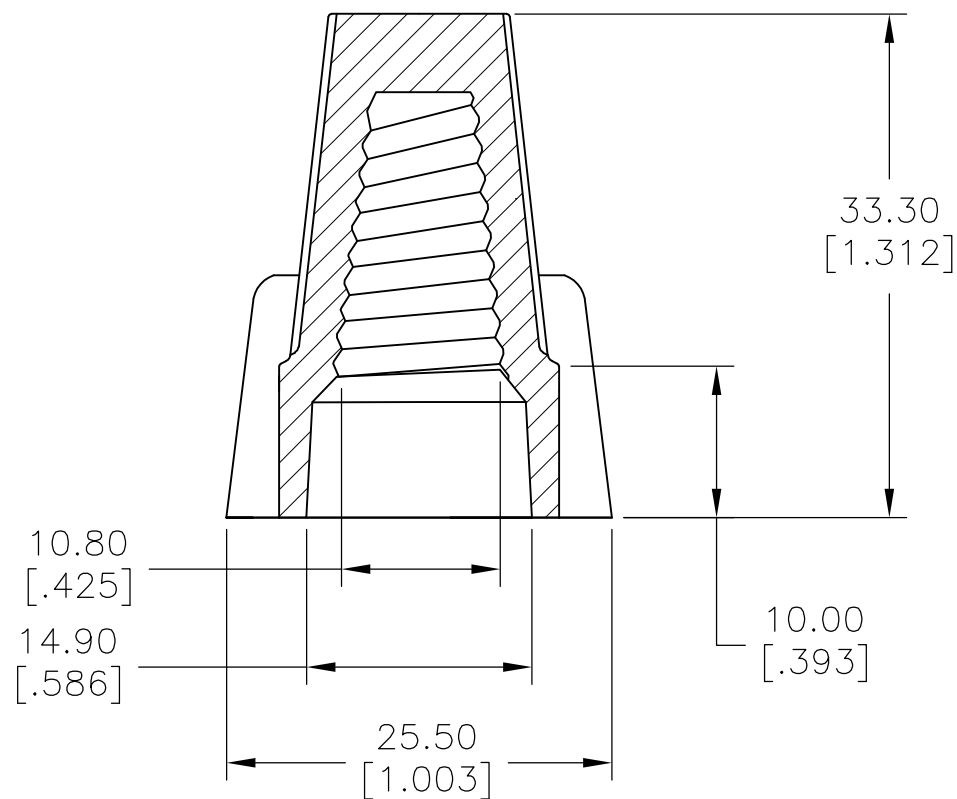
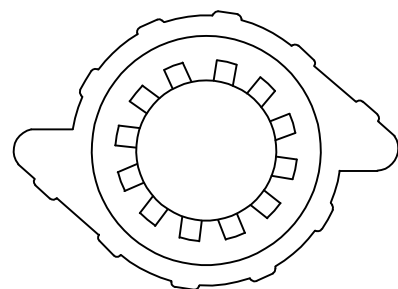
RELEASED FOR PUBLICATION

ALL RIGHTS RESERVED.

© COPYRIGHT - By -

REVISIONS

| P | LTR | DESCRIPTION | DATE      | DWN | APVD |
|---|-----|-------------|-----------|-----|------|
|   | A   | NEW DRAWING | 14JAN2016 | NK  | RH   |



- 1 WORKING TEMPERATURE: 105° C
- 2 VOLTAGE: 600V MAX.
- 3 COLOR: GREY
- 4 WIRE RANGE: #18-#8 AWG MAX.3#10 MIN.3#14 W/1 #18
- 5 SPRING INSERT: STEEL

2299509-1 AS SHOWN

|   |  |                                   |                    |                 |                    |                         |                    |
|---|--|-----------------------------------|--------------------|-----------------|--------------------|-------------------------|--------------------|
| THIS DRAWING IS A CONTROLLED DOCUMENT.                      |  | DWN<br>NAGALAKSHMI K<br>14JAN2016 | TE Connectivity    |                 |                    |                         |                    |
| DIMENSIONS:<br>mm [INCHES]                                  |  | CHK<br>HILL RYAN<br>14JAN2016     |                    |                 |                    |                         |                    |
| TOLERANCES UNLESS OTHERWISE SPECIFIED:                      |  | APVD<br>HILL RYAN<br>14JAN2016    | NAME               |                 |                    |                         |                    |
|   |  | PRODUCT SPEC                      | CPGI-WC-TG-GR-BULK |                 |                    |                         |                    |
|   |  | APPLICATION SPEC                  | RESTRICTED TO      |                 |                    |                         |                    |
| MATERIAL<br>TOUGH THERMOPLASTIC<br>UL 94V-2 FLAME-RETARDANT |  | FINISH<br>-                       | WEIGHT<br>-        | SIZE<br>A3      | CAGE CODE<br>00779 | DRAWING NO<br>C-2299509 | RESTRICTED TO<br>- |
| CUSTOMER DRAWING  |  |                                   | SCALE<br>2:1       | SHEET<br>1 OF 1 | REV<br>A           |                         |                    |